

Buccaneer 4000 Series Waterproof Connector

Thermoplastic Body



Wiring and Assembly instructions

GB

IMPORTANT - PLEASE READ

It is important that these instructions are fully complied with to ensure this product is completely watertight and electrically safe - IF IN DOUBT CONSULT A QUALIFIED ELECTRICIAN.

Always wire socket insert to supply, wire plug insert to appliance.

However plug/socket inserts can be fitted into any style of main body to give correct plug/socket combination for your application.

Cable Glands

To ensure the correct cable sealing pairs of cable glands and collets are available to accurately fit cable diameters from 3.0mm to 7.0mm. It is important to match the correct gland to the cable used, these are:

Cable diameter	Gland Colour
3.0-3.5mm	Light Grey
3.5-4.0mm	Dark Grey
4.0-4.5mm	Green
4.5-5.0mm	Red
5.0-5.5mm	Yellow
5.5-6.0mm	Blue
6.0-6.5mm	White
6.5-7.0mm	Black

Ratings

Poles:	2 & 3	4, 6 & 8	10 & 12
Current Rating:	13A	8A	2A
Voltage Rating:	600V	600V	600V
Conductor accommodation:	16-18AWG	18-20AWG	22-24AWG
metric equivalents:	1.31-0.82mm ²	0.82-0.52mm ²	0.33-0.20mm ²

For full technical specification visit: www.bulgin.com



bulgin

a brand of Elektron Technology

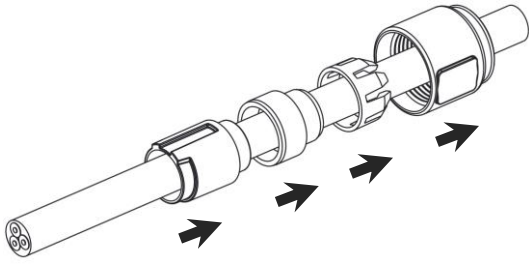
www.bulgin.com

IMPORTANT SAFETY NOTICE

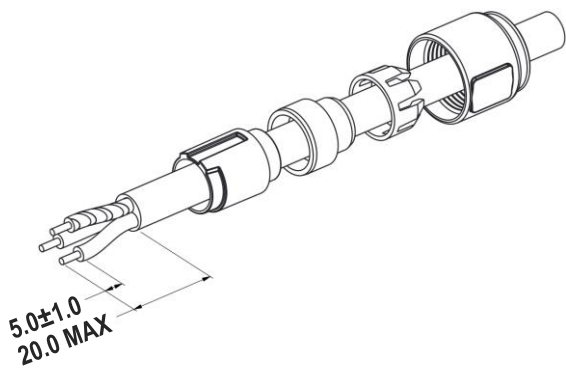
For your protection all mains (250V) equipment used out of doors, in damp or wet conditions should be supplied from a correctly fused source and protected by an approved R.C.D. to BS7071, BS7288, BS4293, BS EN 61008-1, BS EN 1008-2-2

IF IN DOUBT SEEK ADVICE

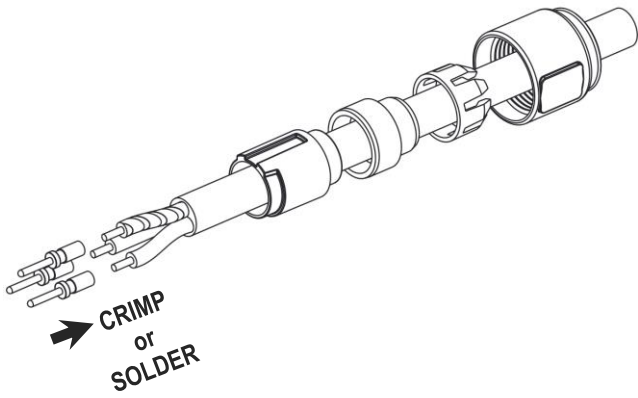
1



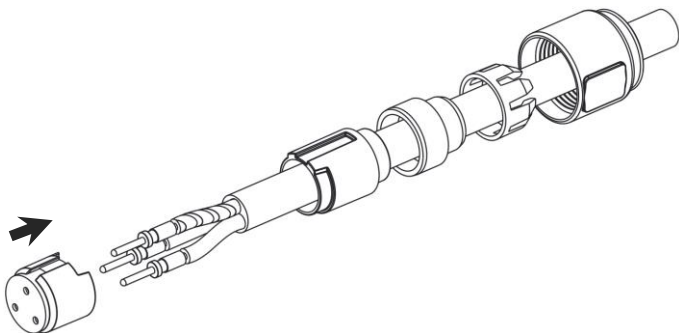
2



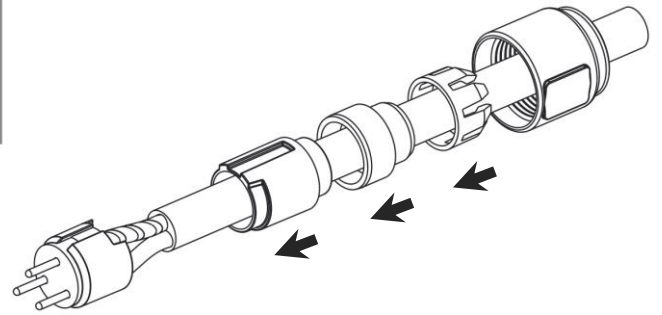
3



4

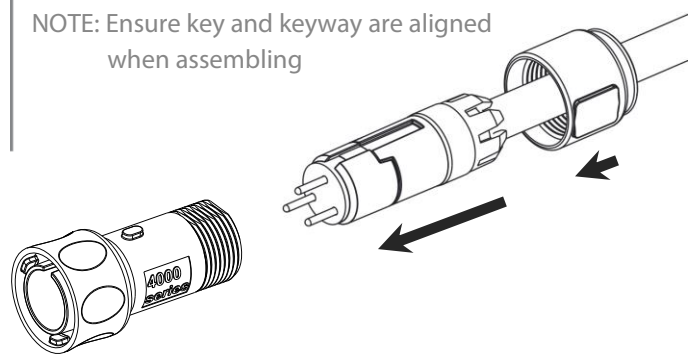


5

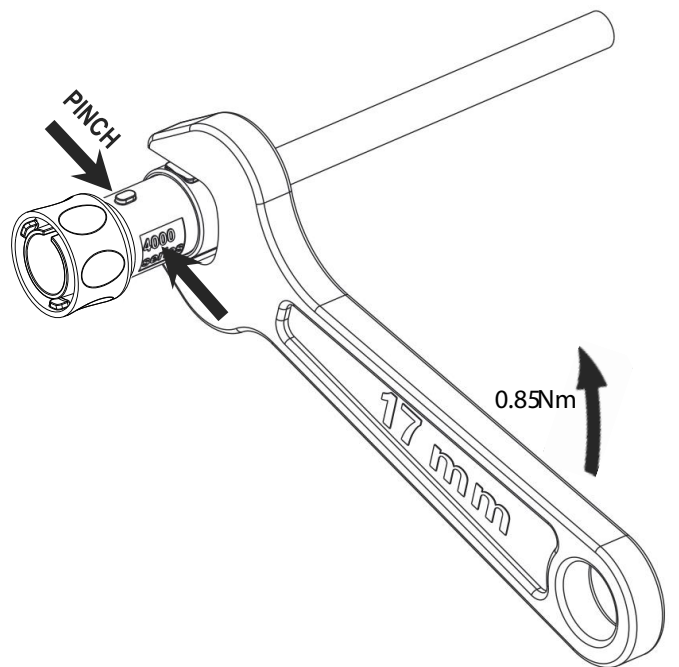


6

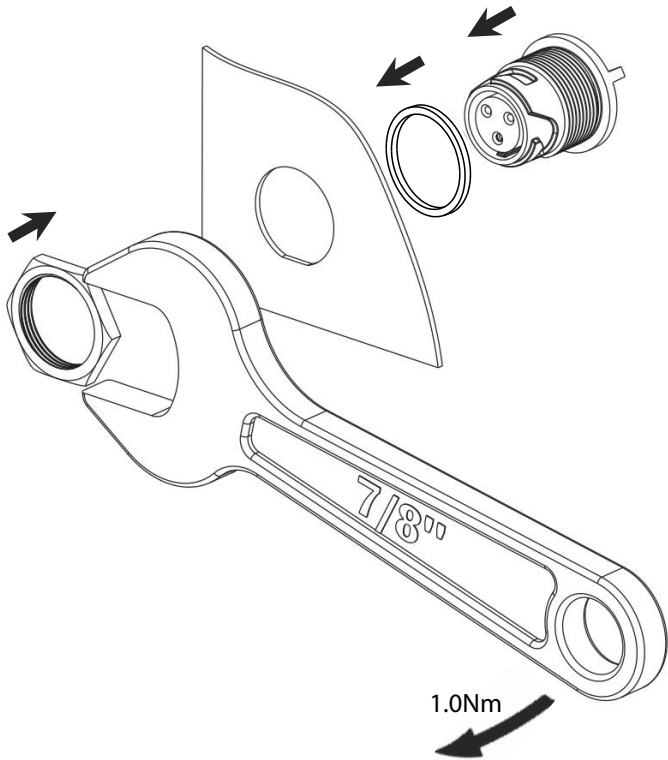
NOTE: Ensure key and keyway are aligned when assembling



7



1

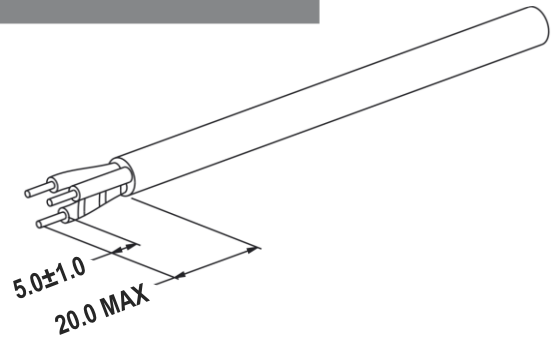


Ø19.15

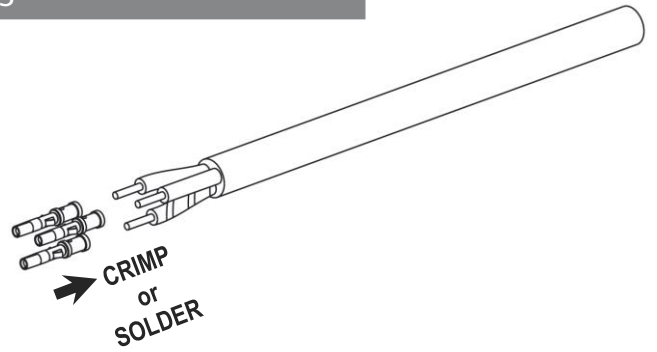
9.05

Panel Cutout Dimensions

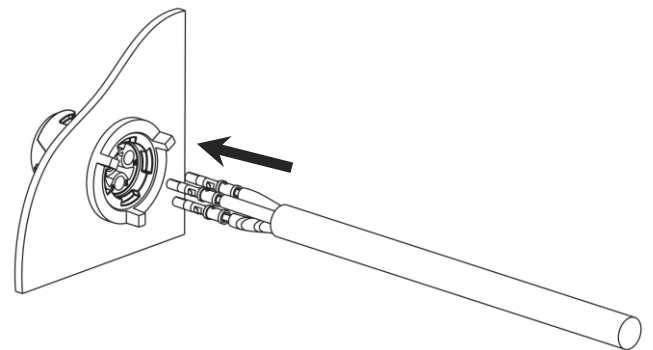
2



3

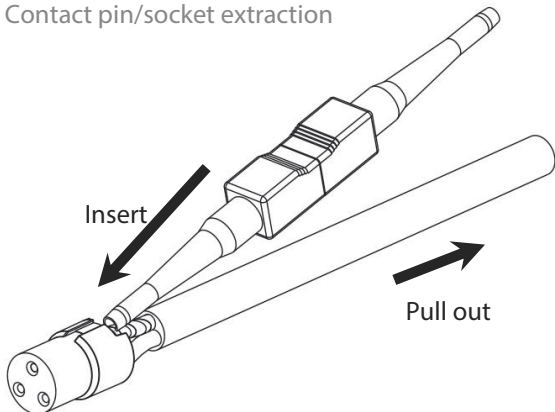


4



14944 & 14945

Contact pin/socket extraction



WARNING – PXP4010

Ensure coupling seal is seated in flex connector

