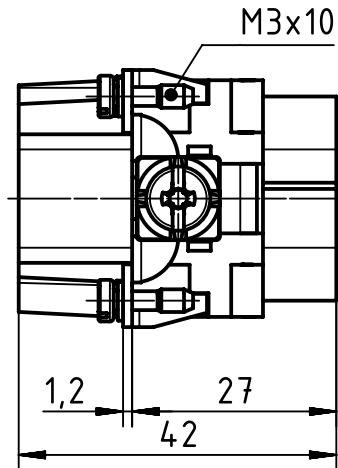
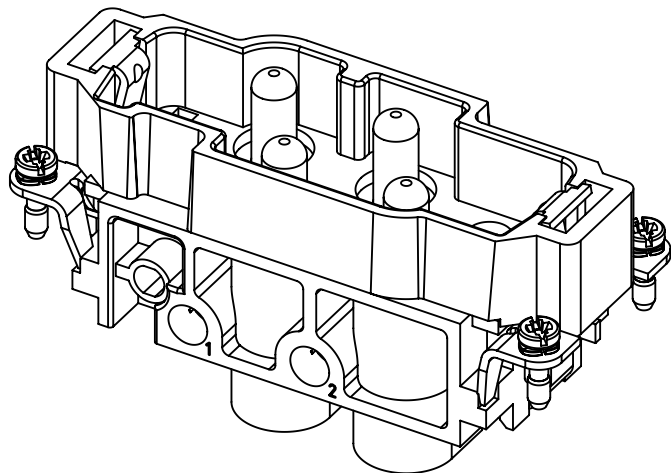
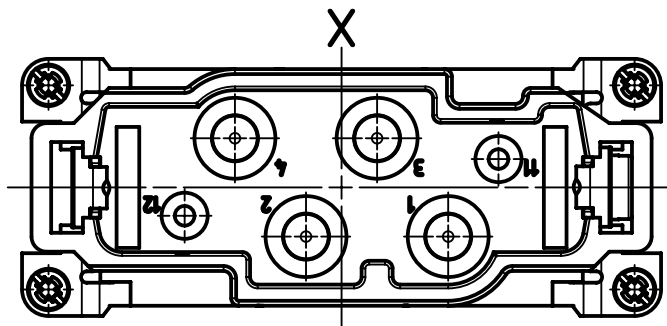
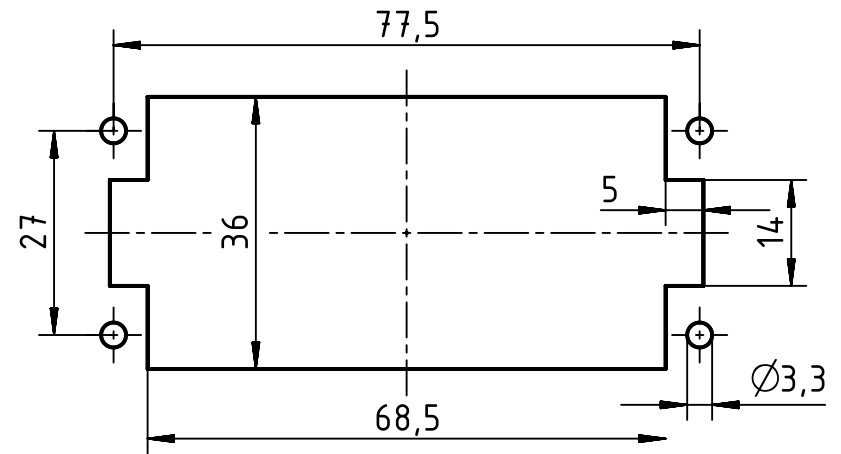



X



panel cut out



	All rights reserved		Created by		Inspected by		Standardisation		Date		State	
	Department EL PD - DE		MATAU		PRIESTER		TIEMANNA		2016-09-23		Final Release	
HARTING Electric GmbH & Co. KG		Title								Doc-Key / ECM-Nr.		
D-32339 Espelkamp		Han K 4/0 Pin Male Insert								100217264/UGD/006/C		
		Type		Number				Rev.		Page		
		TB		09 38 006 2611				C		1/1		