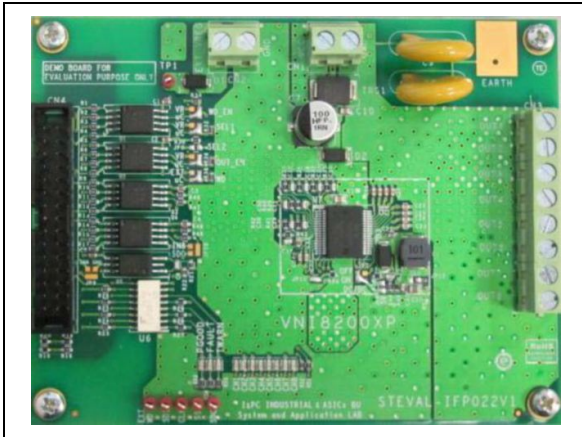


Eight-channel high-side driver based on the VNI8200XP

Data brief



Features

- Operating voltage: from 10.5 to 33 V
- Operating current: 0.7 A for each channel
- Reverse polarity protection
- High-speed opto-isolation for SPI and parallel communication
- Low-speed opto-isolation for device fault signaling
- Step-down converter for 3.3 V or 5 V
- Digital supply voltage
- LED matrix for channel status signaling
- Microcontroller interface
- Designed to meet EMC standard requirements: IEC 61000-4-2, IEC 61000-4-4, IEC 61000-4-5
- RoHS compliant

Description

The STEVAL-IFP022V1 demonstration board is based on VNI8200XP high-side driver. It was developed as an instrument to test device functionality in terms of power management and digital interface.

As required by industrial standards, the board's isolated interface between the IPS and host controller were implemented using high-speed opto-couplers for IPS driving, and low-speed opto-couplers to receive device status information. The connection is achieved through a 30-pin connector.

To provide a user-friendly way to test VNI8200XP device functionality, a GUI interface was developed. To use the GUI it is necessary to connect the STEVAL-IFP022V1 demonstration board to a PC by using a communication board (part number STEVAL-PCC009V2).

Thermal performance is improved thanks to a four-layer structure which makes it possible to design a copper area distributed in all the layers for more effective heat dissipation.

The STEVAL-IFP022V1 demonstration board meets EFT standard requirements IEC 61000-4-2, IEC 61000-4-4, IEC 61000-4-5.

1 Schematic diagram

Figure 1. STEVAL-IFP022V1 power section

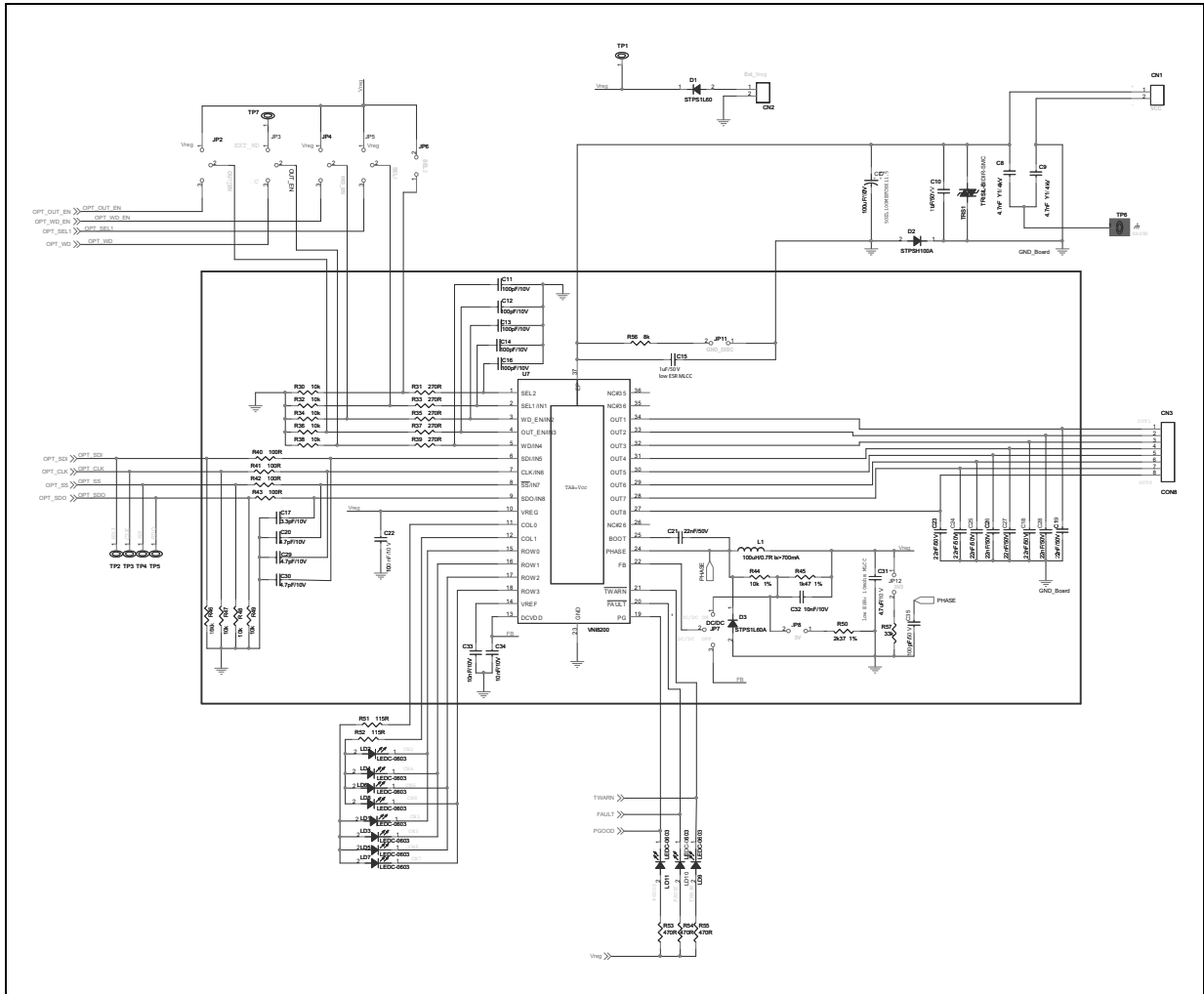
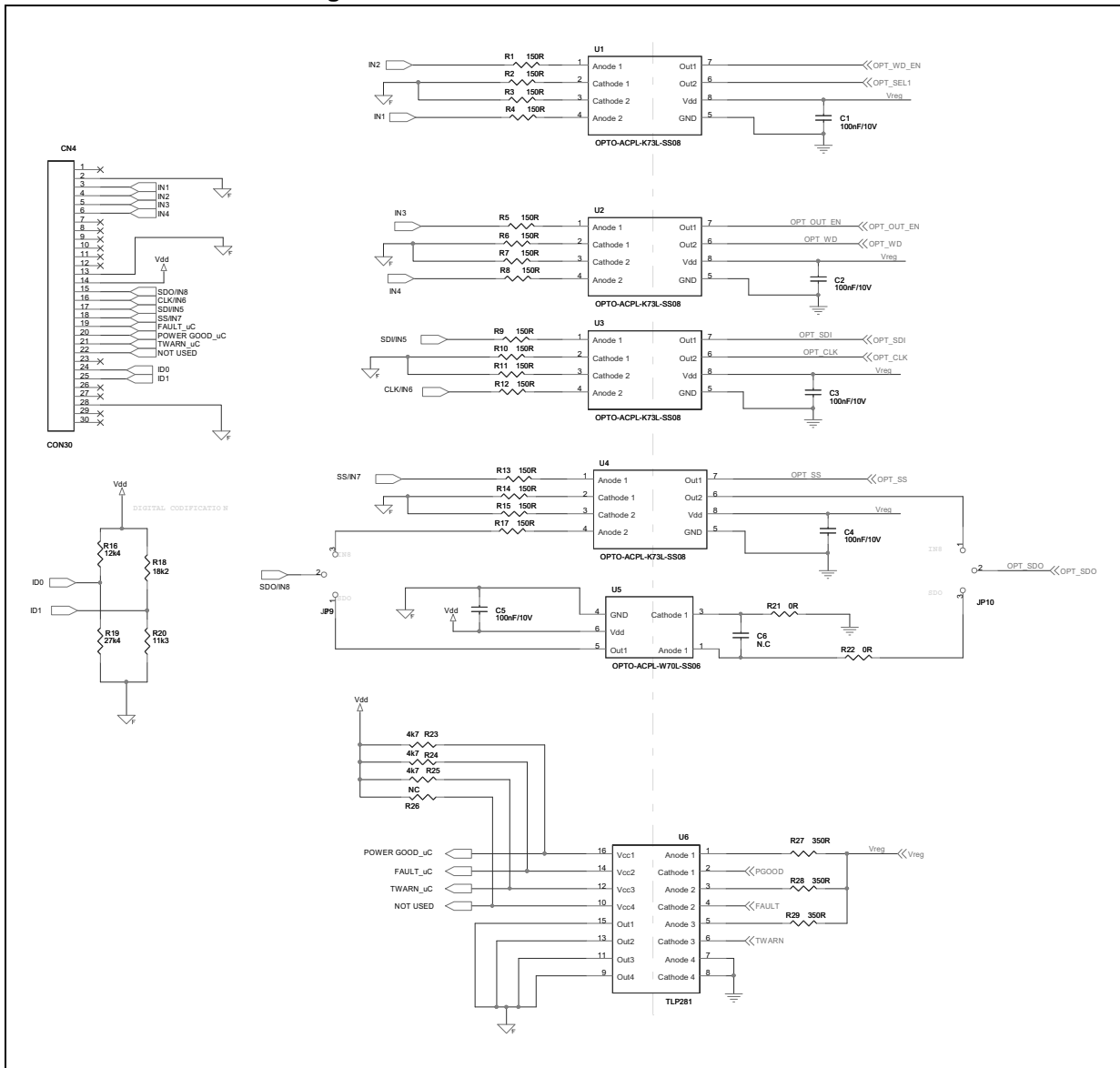


Figure 2. STEVAL-IFP022V1 interface section



2 Revision history

Table 1. Document revision history

Date	Revision	Changes
19-Jul-2013	1	Initial release.

Please Read Carefully:

Information in this document is provided solely in connection with ST products. STMicroelectronics NV and its subsidiaries ("ST") reserve the right to make changes, corrections, modifications or improvements, to this document, and the products and services described herein at any time, without notice.

All ST products are sold pursuant to ST's terms and conditions of sale.

Purchasers are solely responsible for the choice, selection and use of the ST products and services described herein, and ST assumes no liability whatsoever relating to the choice, selection or use of the ST products and services described herein.

No license, express or implied, by estoppel or otherwise, to any intellectual property rights is granted under this document. If any part of this document refers to any third party products or services it shall not be deemed a license grant by ST for the use of such third party products or services, or any intellectual property contained therein or considered as a warranty covering the use in any manner whatsoever of such third party products or services or any intellectual property contained therein.

UNLESS OTHERWISE SET FORTH IN ST'S TERMS AND CONDITIONS OF SALE ST DISCLAIMS ANY EXPRESS OR IMPLIED WARRANTY WITH RESPECT TO THE USE AND/OR SALE OF ST PRODUCTS INCLUDING WITHOUT LIMITATION IMPLIED WARRANTIES OF MERCHANTABILITY, FITNESS FOR A PARTICULAR PURPOSE (AND THEIR EQUIVALENTS UNDER THE LAWS OF ANY JURISDICTION), OR INFRINGEMENT OF ANY PATENT, COPYRIGHT OR OTHER INTELLECTUAL PROPERTY RIGHT.

ST PRODUCTS ARE NOT AUTHORIZED FOR USE IN WEAPONS. NOR ARE ST PRODUCTS DESIGNED OR AUTHORIZED FOR USE IN: (A) SAFETY CRITICAL APPLICATIONS SUCH AS LIFE SUPPORTING, ACTIVE IMPLANTED DEVICES OR SYSTEMS WITH PRODUCT FUNCTIONAL SAFETY REQUIREMENTS; (B) AERONAUTIC APPLICATIONS; (C) AUTOMOTIVE APPLICATIONS OR ENVIRONMENTS, AND/OR (D) AEROSPACE APPLICATIONS OR ENVIRONMENTS. WHERE ST PRODUCTS ARE NOT DESIGNED FOR SUCH USE, THE PURCHASER SHALL USE PRODUCTS AT PURCHASER'S SOLE RISK, EVEN IF ST HAS BEEN INFORMED IN WRITING OF SUCH USAGE, UNLESS A PRODUCT IS EXPRESSLY DESIGNATED BY ST AS BEING INTENDED FOR "AUTOMOTIVE, AUTOMOTIVE SAFETY OR MEDICAL" INDUSTRY DOMAINS ACCORDING TO ST PRODUCT DESIGN SPECIFICATIONS. PRODUCTS FORMALLY ESCC, QML OR JAN QUALIFIED ARE DEEMED SUITABLE FOR USE IN AEROSPACE BY THE CORRESPONDING GOVERNMENTAL AGENCY.

Resale of ST products with provisions different from the statements and/or technical features set forth in this document shall immediately void any warranty granted by ST for the ST product or service described herein and shall not create or extend in any manner whatsoever, any liability of ST.

ST and the ST logo are trademarks or registered trademarks of ST in various countries.

Information in this document supersedes and replaces all information previously supplied.

The ST logo is a registered trademark of STMicroelectronics. All other names are the property of their respective owners.

© 2013 STMicroelectronics - All rights reserved

STMicroelectronics group of companies

Australia - Belgium - Brazil - Canada - China - Czech Republic - Finland - France - Germany - Hong Kong - India - Israel - Italy - Japan - Malaysia - Malta - Morocco - Philippines - Singapore - Spain - Sweden - Switzerland - United Kingdom - United States of America

www.st.com

