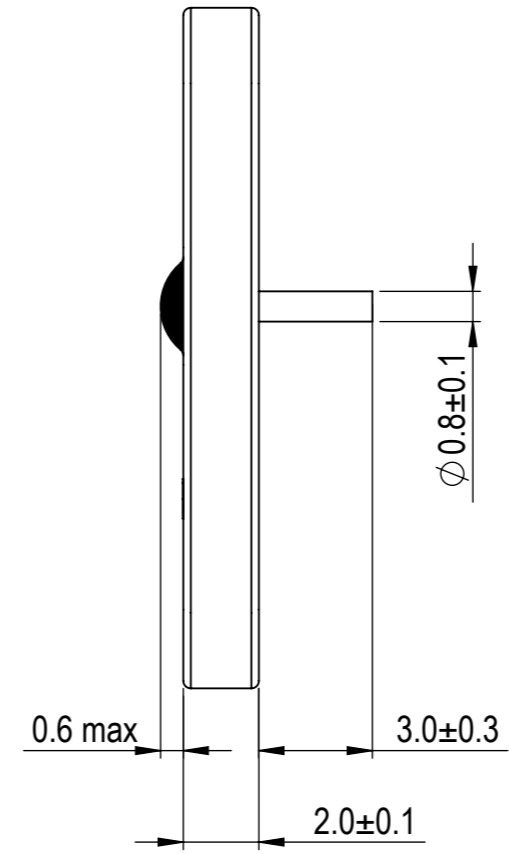
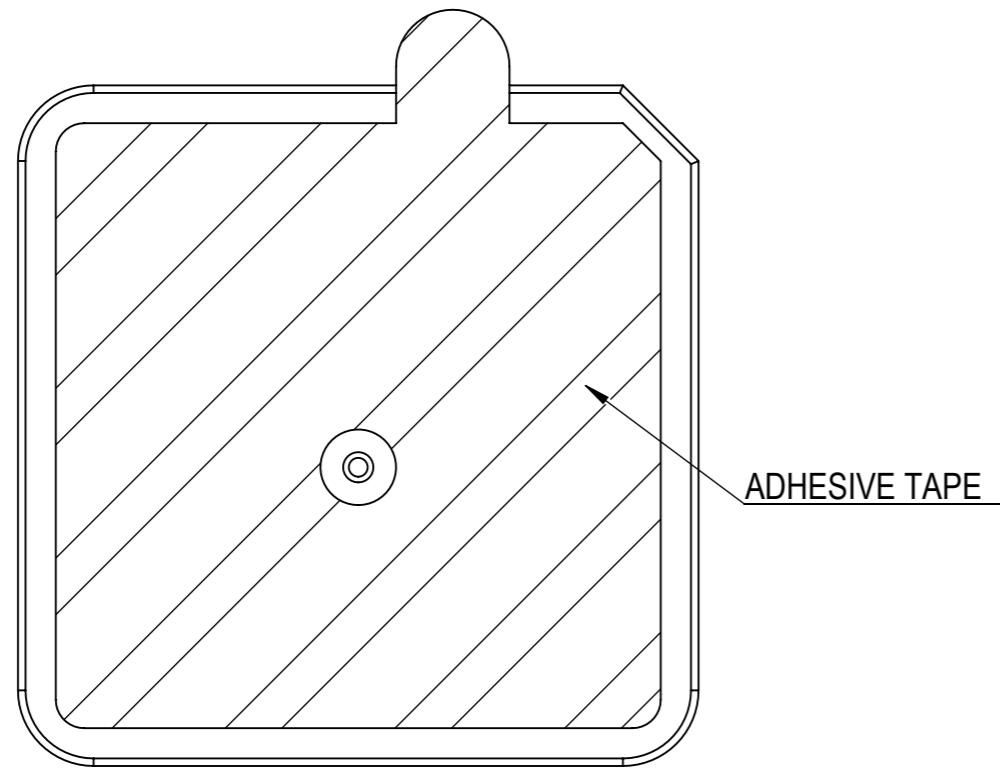
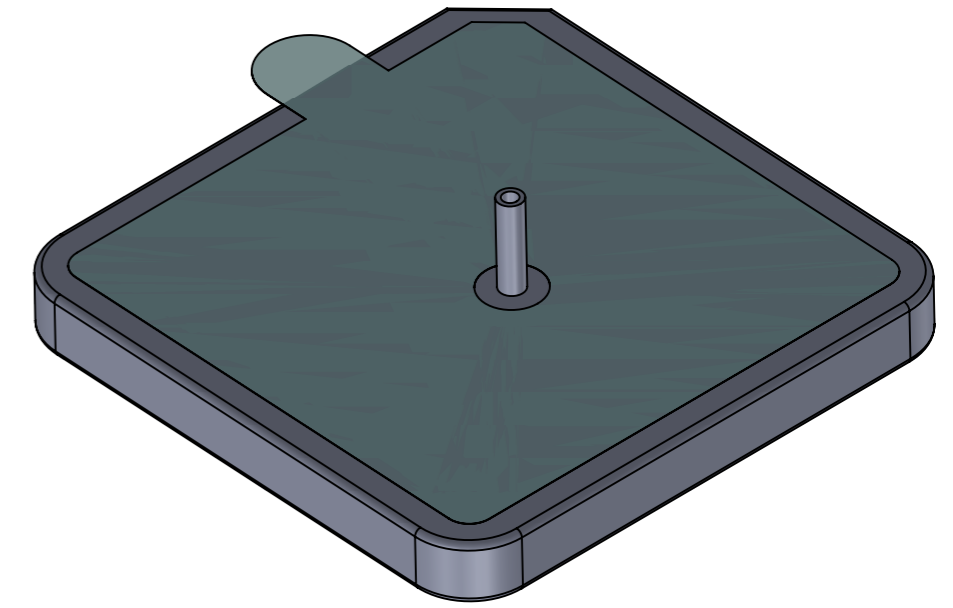
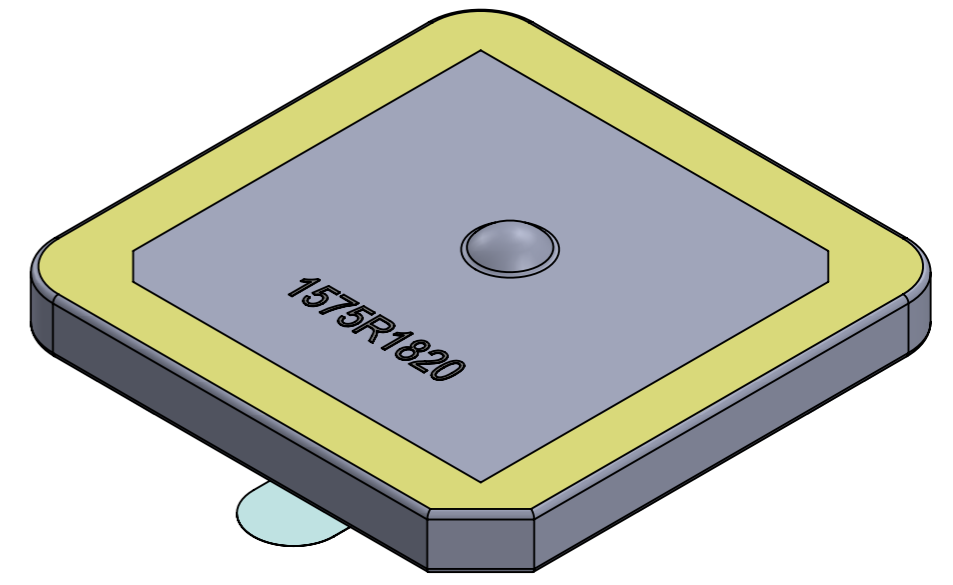



TOP VIEW



SIDE VIEW



BOTTOM VIEW

UNLESS OTHERWISE SPECIFIED: DIMENSIONS ARE IN MM SURFACE FINISH: TOLERANCES: LINEAR: ANGULAR:				FINISH:	DEBUR AND BREAK SHARP EDGES	DO NOT SCALE DRAWING	REVISION -
DRAWN XXXXXX				SIGNATURE	DATE	 30332 Esperanza, Rancho Santa margarita, California 92688 TITLE: 1575.42MHz; 18X18X2mm GPS Patch Antenna DWG NO. APAE1575R1820ABDC1-T SCALE:5:1 SHEET 1 OF 1	
CHK'D XXXXXX							
APPV'D							
MFG							
Q.A							
				MATERIAL:			
				WEIGHT:			