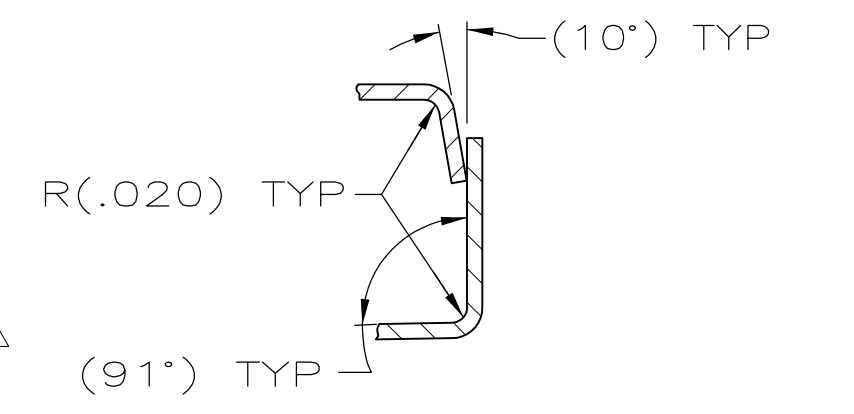
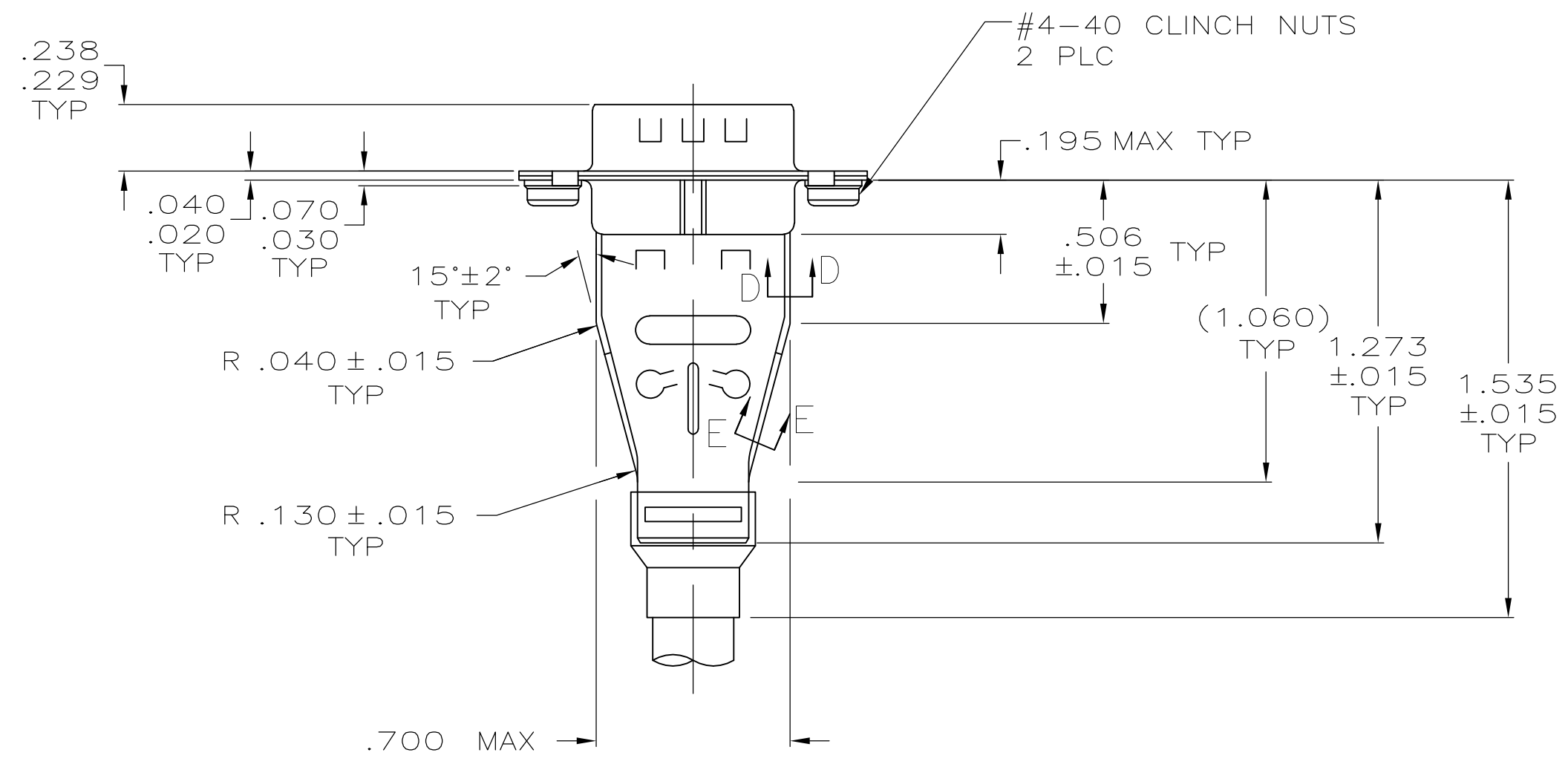
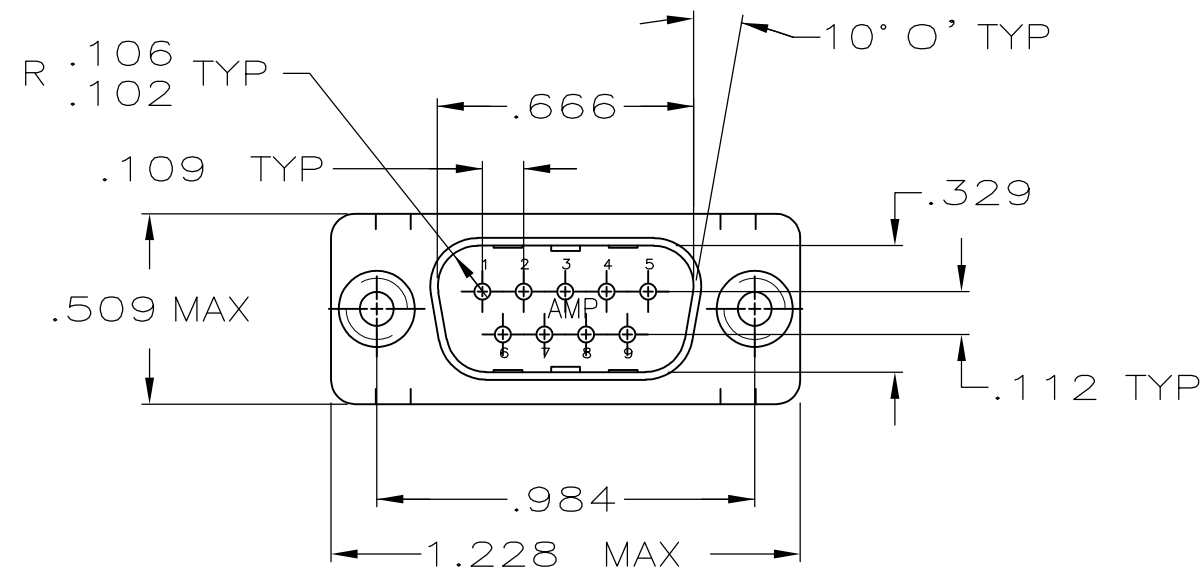
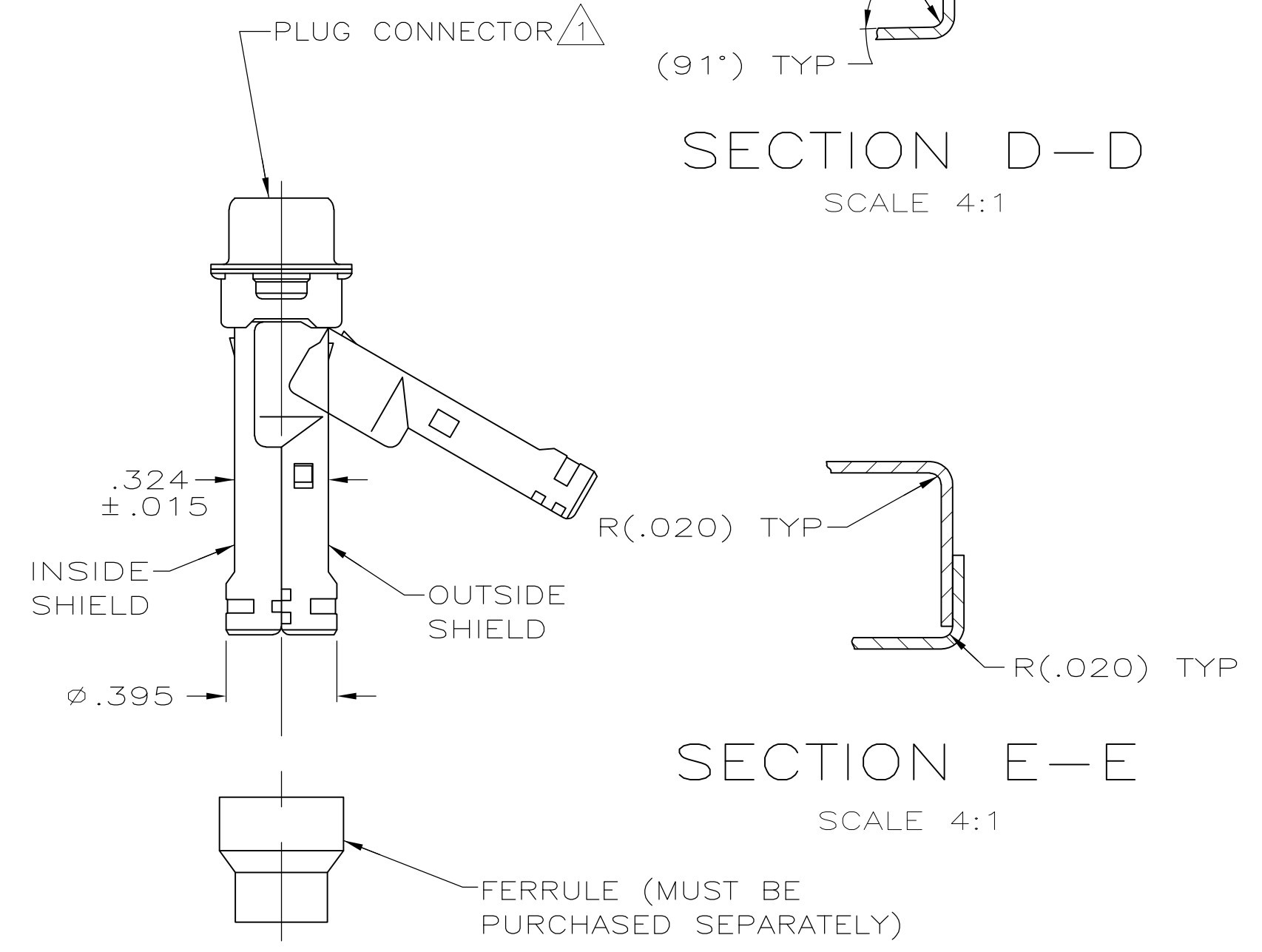


THIS DRAWING IS UNPUBLISHED. RELEASED FOR PUBLICATION  
 © COPYRIGHT - By - ALL RIGHTS RESERVED.

LOC	DIST	REVISIONS					
GP	00	P	LTR	DESCRIPTION	DATE	DWN	APVD
		P		REVISED PER ECO-11-004835	11MAR11	RK	HMR



SECTION D-D  
SCALE 4:1



SECTION E-E  
SCALE 4:1

- ① PLUG ACCEPTS SIZE 20 PIN CONTACTS (CONTACTS MUST BE ORDERED SEPARATELY).
- 2. ALL PARTS SHIPPED UNASSEMBLED, EACH PART INDIVIDUALLY BULK PACKED.
- ③ INSERT: FLAME RETARDANT, 94V-0 RATED, GLASS FILLED NYLON OR POLYESTER, BLACK.
- ④ SHELLS & SHIELDS: .000200 MIN TIN PLATE OVER .000100 MIN COPPER UNDERPLATE.
- ⑤ SHELLS & SHIELDS: STEEL PER ASTM A109.

5748526-1  
PART NUMBER

THIS DRAWING IS A CONTROLLED DOCUMENT.		DWN 11-11-04 G. ATTADIA - DOCK5		
DIMENSIONS: INCHES		CHK 11-11-04 J. GERACE		
TOLERANCES UNLESS OTHERWISE SPECIFIED:		APVD 11-11-04 M. WALMSLEY	NAME	
0 PLC ± -		PRODUCT SPEC	KIT, PLUG, SHIELDING HARDWARE, 9 POSN, SIZE 1, W/CLINCH NUTS, AMPLIMITE HDP-20	
1 PLC ± -		APPLICATION SPEC	SIZE	CAGE CODE
2 PLC ± -		114-40030	A2	00779
3 PLC ± .005		WEIGHT	DRAWING NO	
4 PLC ± -		-	C=5748526	
ANGLES ± 0° 30'		CUSTOMER DRAWING	SCALE	SHEET
FINISH			2:1	1 of 1
MATERIAL			RESTRICTED TO	REV
				P