

PART NAME: KNOB SCALE: 1:1 DATE: 5/22/2000 DR. BY ST

THIS DRAWING IS THE PROPERTY OF DAVIES MOLDING COMPANY, IS SUBMITTED SOLELY AS A DESIGN OR ENGINEERING PROJECT.
 WE ACCEPT NO RESPONSIBILITY WHATSOEVER FOR THE PRACTICAL APPLICATION OF THE PIECES MADE TO THIS DESIGN.



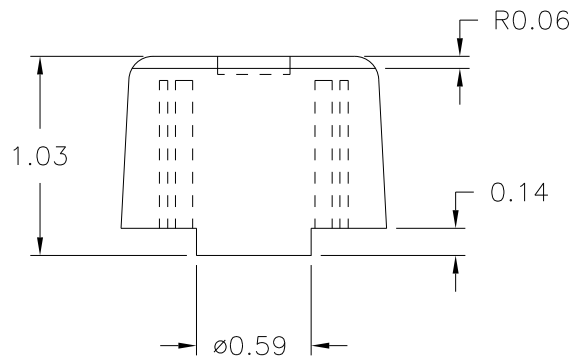
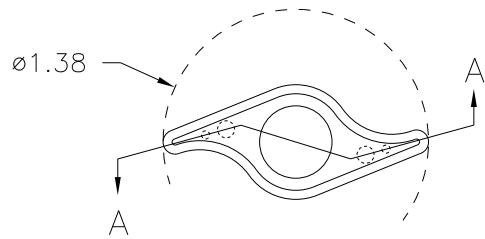
DESIGNERS & MANUFACTURERS
 OF KNOBS, HANDLES, CASES &
 CUSTOM PLASTIC COMPONENTS

P/N 2020AB

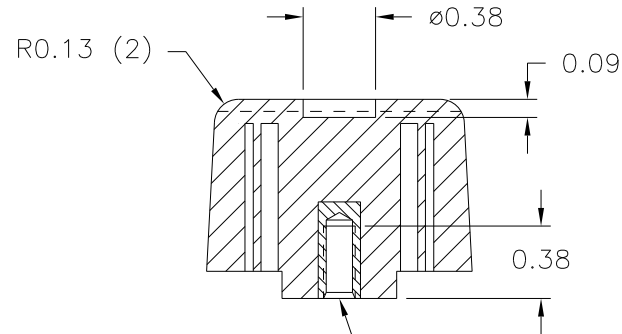
M^{NO.} ????

CAVITY ???

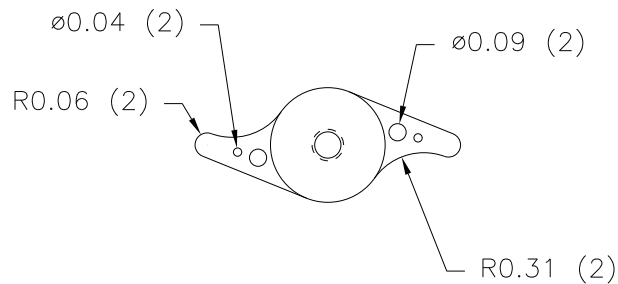
INSERT I0001



SECTION A-A



8-32 UNC-2B THREADED,
 I0001, BRASS



MATERIAL: 33% GLASS-FILLED NYLON (BD1)
 COLOR: BLACK

TOLERANCES: UNLESS OTHERWISE SPECIFIED	DO NOT SCALE DRAWING				
DECIMALS: X.XXX ± .005 X.XX ± .015	MM: X.XX ± 0.15MM X.X ± 0.4MM				
FRACTIONS ± 1/64	ANG. ± 1°	CHANGES			

