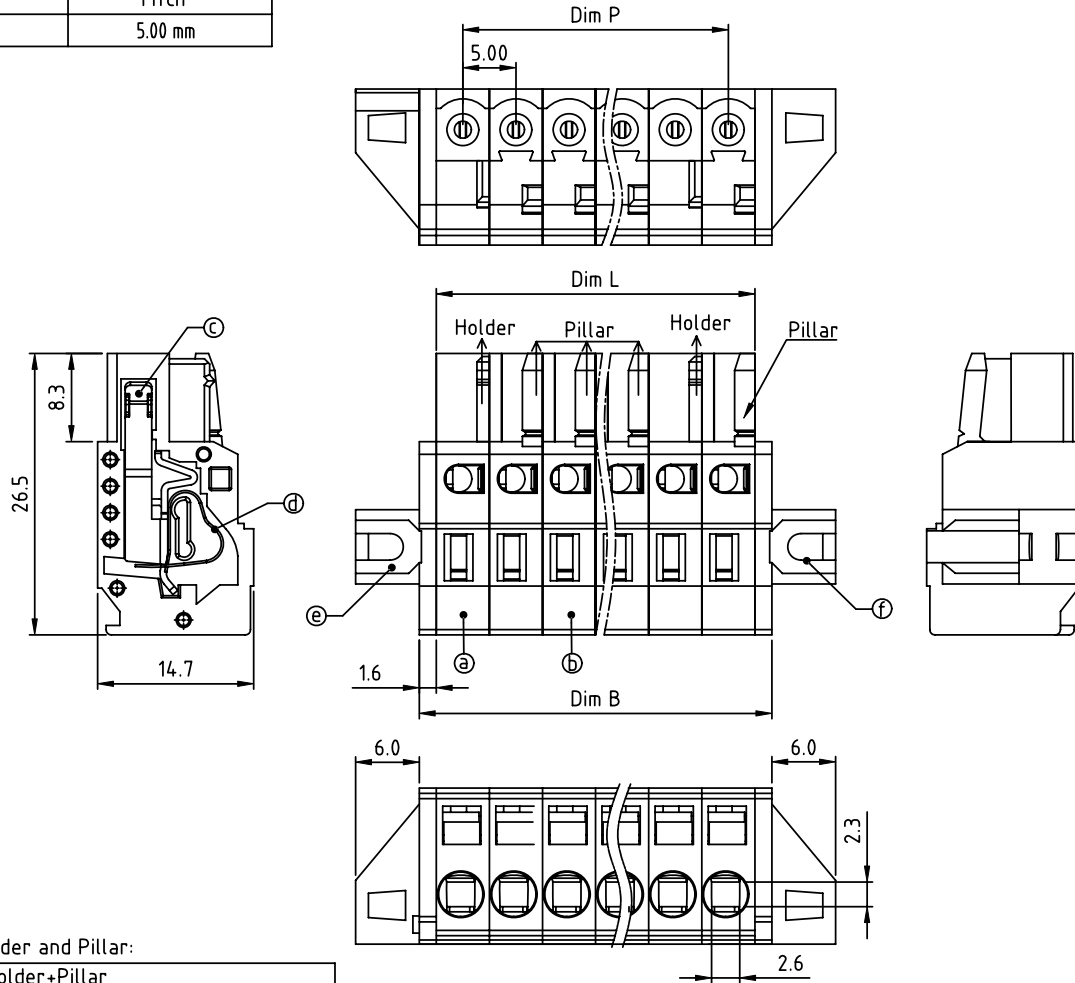


| | |
|----------------|---------|
| PRODUCT NUMBER | PITCH |
| Hlxx01x200J0G | 5.00 mm |



Material:

- ItemⒶ Terminal body(With holder): Thermoplastic (UL94V-0)
- ItemⒷ Terminal body(With pillar): Thermoplastic (UL94V-0)
- ItemⒸ Femlale contact: PhBz.Tin plated
- ItemⒹ Spring Clamp: Stainless steel
- ItemⒺ Left cover with flange: Thermoplastic (UL94V-0)
- ItemⒻ Right cover with flange: Thermoplastic (UL94V-0)

Electrical:

- Voltage rating: cULus 300 V
- Current rating: 8 A (mated with NC and NB series)
- Wire range:
- Solid wire(AWG): 12-28
- Stranded wire(AWG): 12-28
- Wire strip length: 8-9 mm
- Withstanding Voltage: 1.6KV
- Operating temperature: -40°C to +115°C

Layout of Holder and Pillar:

| | |
|---------|--|
| 2P | Holder+Pillar |
| 3P | Holder+Holder+Pillar |
| 4P | Holder+Pillar+Holder+Pillar |
| 5P | Holder+Pillar+Pillar+Holder+Pillar |
| 5P over | Holder+Pillar+...+Pillar+Holder+Pillar |

DIMENSION

| |
|-----------------|
| Dim L=N×5.0 |
| Dim P=(N-1)×5.0 |
| Dim B=N×5.0+3.2 |

N=Number of poles

| Poles | Tolerance |
|---------|-----------|
| 2P | ±0.10 |
| 3P-6P | ±0.15 |
| 7P-12P | ±0.20 |
| 13P-18P | ±0.30 |
| 19P-24P | ±0.40 |

PART NO.: HI xx 01 x 2 00J0 G

| | | |
|-----------------|---------------------|------------------------------|
| End stackable 0 | Color | RoHS compliant |
| No. of poles 2 | Black (RAL9005) | (lead<4% In copper Alloy) |
| 02 2 poles | 3 Red (RAL3001/D) | |
| 03 3 poles | 4 Orange(RAL2011/P) | |
| ... | 5 Yellow(RAL1018/A) | |
| 24 24 poles | 6 Green(RAL6018/T) | |
| | 7 Blue (RAL5015/A) | |
| | 8 Grey(RAL7035/D) | |
| | 9 White(RAL1102) | |
| | C Green(RAL6018/U) | |

| | | | | | |
|-------------|----------------|-------------------------|-------------------------|---------------------------------------|---|
| mat'l. code | | surface ASME Y14.5 ✓ | tolerance ASME Y14.5 | projection MM | product family TERMINAL BLOCK |
| ltr | ecn no | dr | date | tolerances unless otherwise specified | title TERMINAL BLOCK SPRING CLAMP, PLUGGABLE PLUG, WITH FLANGE, 100% PROTECTED AGAINST MISMATING |
| | | | | angles X±1° | |
| | | | | scale | dwg no Hlxx01x200J0G |
| | | dr | EVIN ZHONG | 051414 | sheet 1 of 1 |
| | | enr | EVIN ZHONG | 051414 | size A4 |
| | | chr | HANKE FENG | 051414 | type CUSTOMER Drawing |
| | | appd | SHI JUN | 051414 | |
| sheet index | revision sheet | A | 1 | | |