

# Mains plug - PLD E 400-PS/1AC/24DC/30W - 2702436

Please be informed that the data shown in this PDF Document is generated from our Online Catalog. Please find the complete data in the user's documentation. Our General Terms of Use for Downloads are valid (<http://phoenixcontact.com/download>)

Plug-in power supply unit for class 400 LED enclosure lights, including country-specific plug adapters for Europe, Great Britain, USA and Australia; max. output voltage 30 W



## Product Description

The plug-in power supply unit is intended for supplying power to class 400 LED enclosure lights. A power supply unit and four country-specific plug adapters, e.g., for Europe, Great Britain, the USA, and Australia, are supplied as standard. By connecting the country-specific plug adapter to the power supply unit, you can adapt the plug-in power supply unit to the installation location.

## Why buy this product

- High efficiency
- Minimum standby power dissipation  $\leq 0.1$  W
- IP42-tested interchangeable adapter system



## Key Commercial Data

Packing unit	1 STK
GTIN	
GTIN	4055626184678

## Technical data

### Dimensions

Width	55 mm
Height	90 mm
Depth	34 mm

### Ambient conditions

Degree of protection	IP42
Ambient temperature (operation)	0 °C ... 40 °C (at maximum load)
Ambient temperature (storage/transport)	-20 °C ... 70 °C
Permissible humidity (operation)	10 % ... 95 % (non-condensing)
Installation height	2000 m

# Mains plug - PLD E 400-PS/1AC/24DC/30W - 2702436

## Technical data

### Input data

Nominal input voltage range	100 V AC ... 240 V AC $\pm$ 10 %
AC frequency range	50 Hz ... 60 Hz
Maximum inrush current	650 mA
Discharge current to PE	max. 250 $\mu$ A
Type of protection	Surge protection

### Output data

Nominal output voltage	24 V DC $\pm$ 5 %
Residual ripple	120 mV <sub>PP</sub>
Output power	30 W
Typical response time	max. 2 s
Maximum power dissipation in no-load condition	max. 0.1 W
Type of protection	Surge protection

### Connection data, output

Cable end connection	M8 socket (Snap-in)
Connecting cable length	2 m

### General

Efficiency	$\geq$ 86.95 %
Protection class	II
Degree of protection	IP42
Can be used as typical for the country	Australia
	Belgium
	Brazil
	China
	Denmark
	Germany
	Finland
	France
	Greece
	Great Britain
	India
	Ireland
	Italy
	Japan
	Canada
	Luxembourg
	Mexico
	Netherlands
	Norway
	Austria

# Mains plug - PLD E 400-PS/1AC/24DC/30W - 2702436

## Technical data

### General

	Poland
	Portugal
	Russia
	Sweden
	Switzerland
	Spain
	Singapore
	Turkey
	USA

### Standards and Regulations

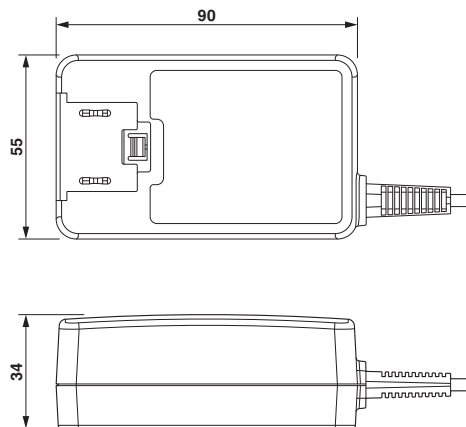
Electromagnetic compatibility	Conformance with EMC Directive 2014/30/EU
-------------------------------	---

### Environmental Product Compliance

REACH SVHC	Lead 7439-92-1
China RoHS	Environmentally Friendly Use Period = 25;
	For details about hazardous substances go to tab "Downloads", Category "Manufacturer's declaration"

## Drawings

Dimensional drawing



## Approvals

Approvals

Approvals

UL Listed / cUL Listed / cULus Listed


# Mains plug - PLD E 400-PS/1AC/24DC/30W - 2702436


## Approvals


Ex Approvals

---

### Approval details

UL Listed		<a href="http://database.ul.com/cgi-bin/XYV/template/LISEXT/1FRAME/index.htm">http://database.ul.com/cgi-bin/XYV/template/LISEXT/1FRAME/index.htm</a>	FILE E 214596
-----------	---	---	---------------

cUL Listed		<a href="http://database.ul.com/cgi-bin/XYV/template/LISEXT/1FRAME/index.htm">http://database.ul.com/cgi-bin/XYV/template/LISEXT/1FRAME/index.htm</a>	FILE E 214596
------------	---	---	---------------

cULus Listed			
--------------	---	--	--

---

Phoenix Contact 2018 © - all rights reserved  
<http://www.phoenixcontact.com>

PHOENIX CONTACT GmbH & Co. KG  
Flachsmarktstr. 8  
32825 Blomberg  
Germany  
Tel. +49 5235 300  
Fax +49 5235 3 41200  
<http://www.phoenixcontact.com>