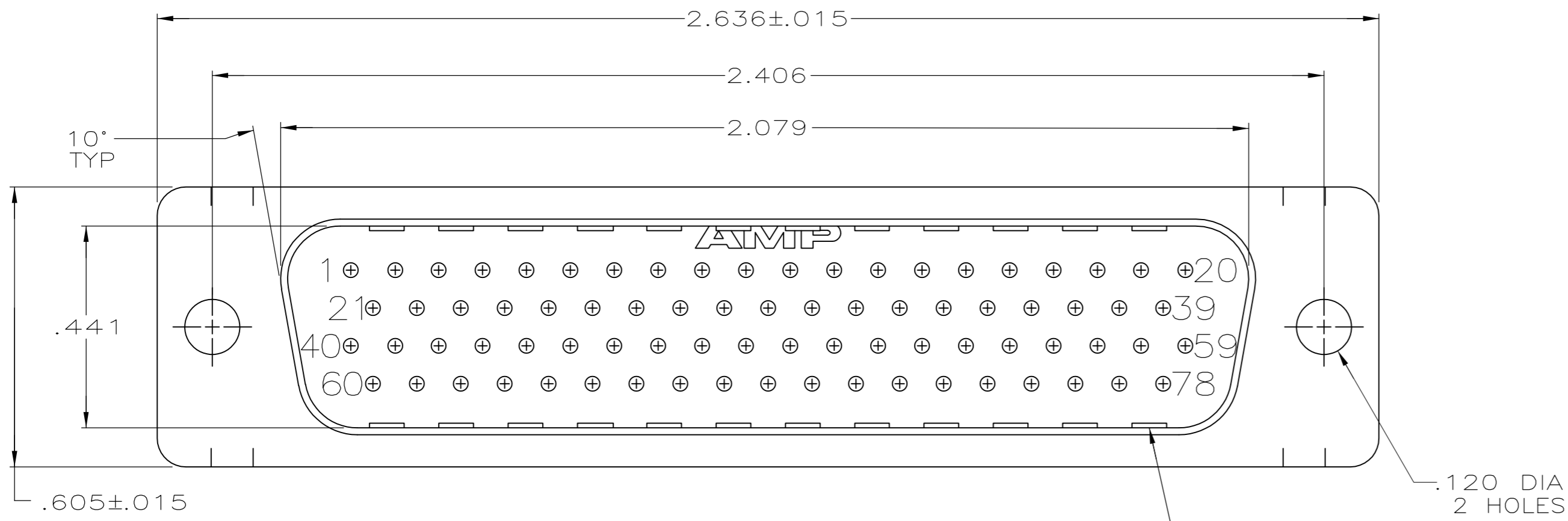
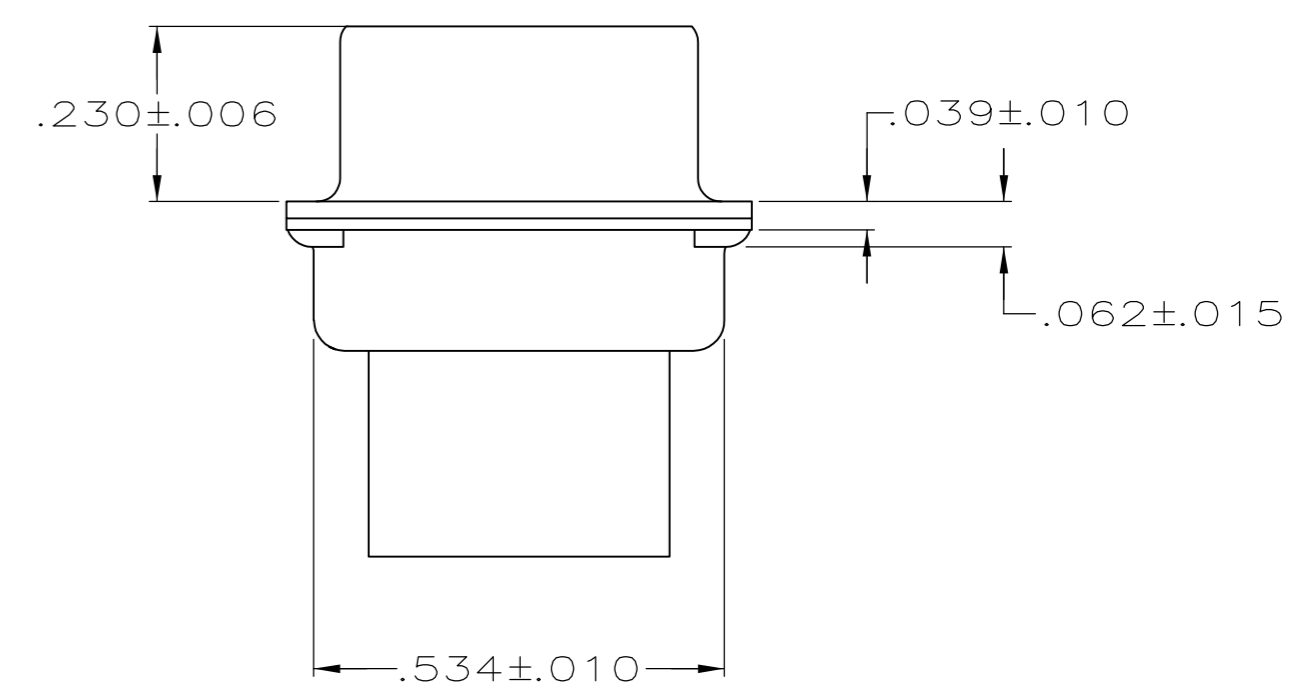
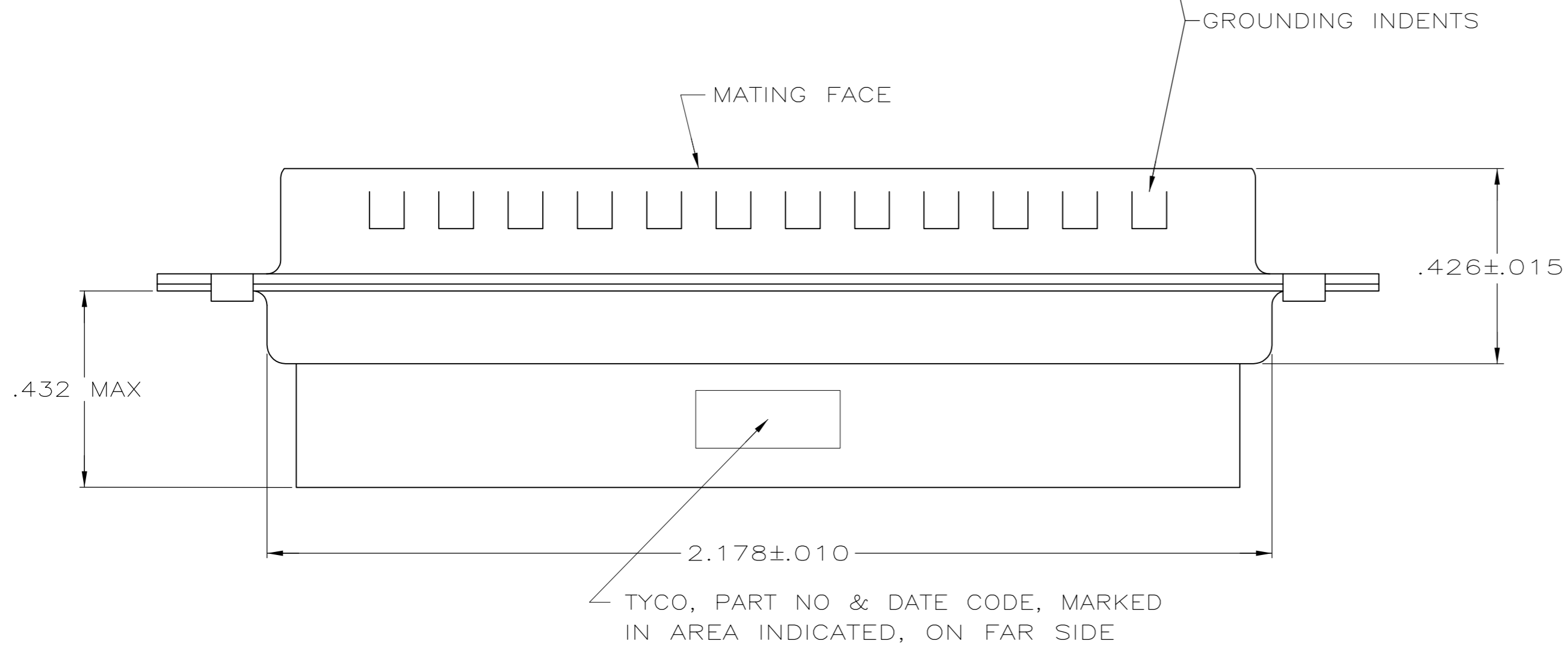


THIS DRAWING IS UNPUBLISHED. RELEASED FOR PUBLICATION
 © COPYRIGHT - By - ALL RIGHTS RESERVED.

LOC	DIST	REVISIONS			
P	LTR	DESCRIPTION	DATE	DWN	APVD
GP	00				
	A	REVISED PER ECO-11-002006	11APR2011	CJV	CWR



- CONNECTOR ACCEPTS 22 DF PIN CONTACTS, RETENTION TINES ARE AN INTEGRAL PART OF INSERT.
- MOLDED PART MATERIAL: FLAME RETARDANT 94V-0 RATED GLASS FILLED NYLON, COLOR: BLACK.
- SHELL MATERIAL: CARBON STEEL.
- SHELL FINISH: .000200 MIN TIN PLATE OVER .000100 MIN COPPER UNDERPLATE.



1658674-1
PART NUMBER

THIS DRAWING IS A CONTROLLED DOCUMENT.		DWN L. BAUM 02JAN04	STE TE Connectivity	
DIMENSIONS: INCHES		CHK S. BOLASH 02JAN04		
TOLERANCES UNLESS OTHERWISE SPECIFIED:		APVD M. WALMSLEY 02JAN04	NAME	
0 PLC ± -	1 PLC ± -	PRODUCT SPEC	PLUG ASSEMBLY, SIZE 5, 78 POSN, HDP-22, AMPLIMITE®	
2 PLC ± -	3 PLC ± .005	APPLICATION SPEC	SIZE	CAGE CODE
4 PLC ± -	ANGLES ± 2°	FINISH	A2	00779
MATERIAL	FINISH	WEIGHT	DRAWING NO	RESTRICTED TO
			C=1658674	
		CUSTOMER DRAWING	SCALE 4:1	SHEET 1 of 1