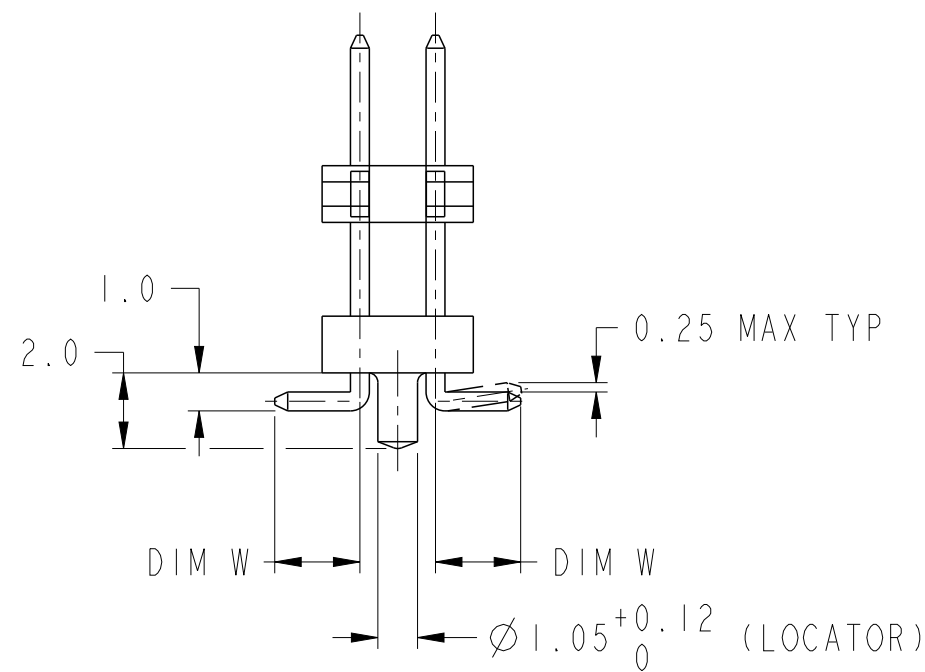
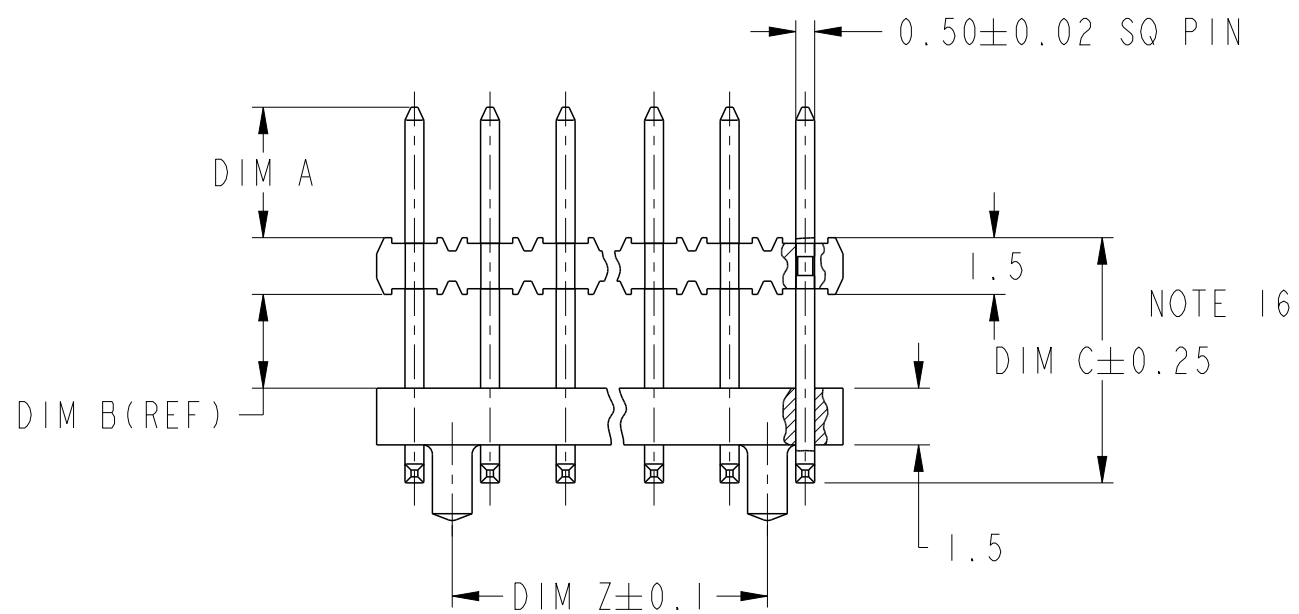
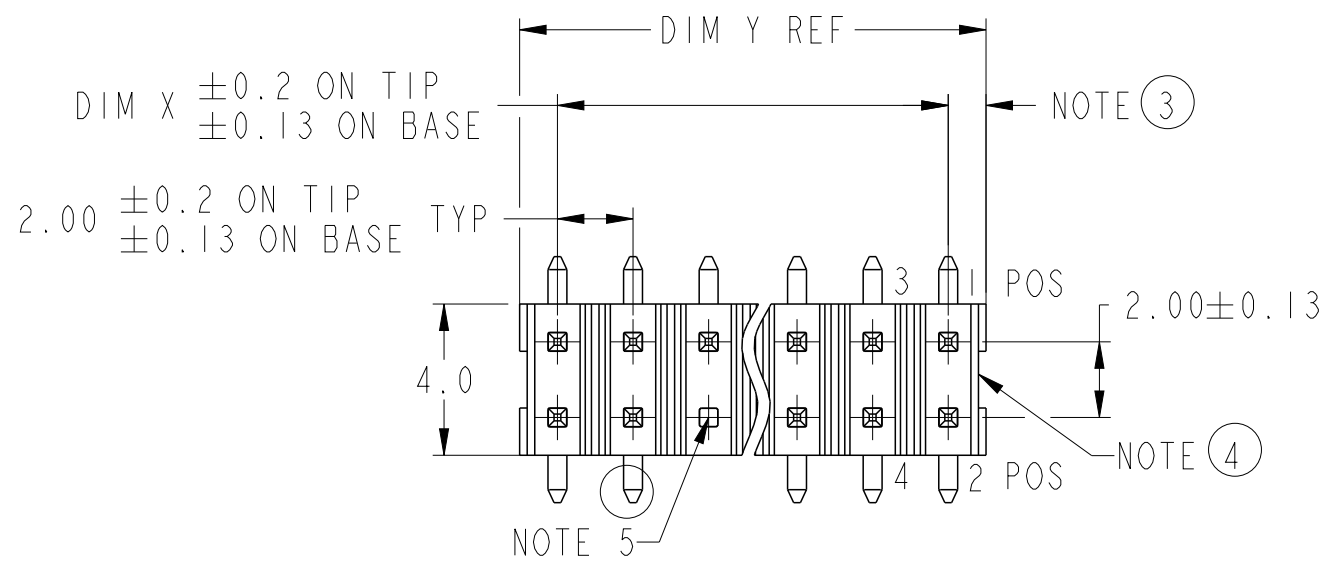


PRODUCT NUMBER
SEE SHEET 2



spec ref	-	dr	Andrew Yong	2010/10/25	projection	MM	size	A3	scale	12:1	
tolerance std	ISO 406 ISO 1101	eng	Guo-Min Sun	2014/08/26			ecn no	ELX-N-18628-1			
surface	✓	chr	-	-			rel level	Released			
linear	0.X \pm - 0.XX ± 0.25 0.XXX \pm -	appr	Rick Bian	2014/08/26	product family	-	dwg no	10065491		rev	M
angular	0° $\pm 3^\circ$	www.fci.com	cat. no.	-	Product - Customer Drw	sheet 1 of 3					

1				2				3		4	
PRODUCT NO.	POS	DIM X	DIM Y	DIM Z	DIM A	DIM B	DIM W	POL.POS	PLATING (CONTACT) (1.27-2.54 μm Ni underplate)	PLATING (SOLDERTAIL) (1.27-2.54 μm Ni underplate)	MAT'L
10065491-001LF	2X24	46	48	44	4.4	3.5	2.25	-	0.76μm MIN Au	0.76μm MIN Au	NOTE (I)
10065491-002LF	2X20	38	40	36	2.9	10.5	2.25	-	0.76μm MIN Au	2.54μm MIN 100% Matte Tin	NOTE (I)
10065491-003LF	2X24	46	48	44	3.45	2.48	2.25	-	0.76μm MIN Au	0.76μm MIN Au	NOTE (I)
10065491-004LF	2X24	46	48	44	3.45	2.48	2.25	-	0.76μm MIN Au	2.54μm MIN 100% Matte Tin	NOTE (I)
10065491-005LF	2X20	38	40	36	2.9	5.5	2.25	-	0.76μm MIN Au	2.54μm MIN 100% Matte Tin	NOTE (I)
10065491-006LF	2X15	28	30	26	3.5	8.0	2.25	-	0.76μm MIN Au	0.76μm MIN Au	NOTE (I)
10065491-007LF	2X3	4	6	2	3.7	4.1	2.10	-	0.38μm MIN Au	2.54μm MIN 100% Matte Tin	NOTE (I)
10065491-008LF	2X20	38	40	36	3.2	3.5	2.25	-	0.76μm MIN Au	2.54μm MIN 100% Matte Tin	NOTE (I)
10065491009LF	2X3	4	6	2	5.2	9.4	2.00	-	0.76um MIN GXT	2.54μm MIN 100% Matte Tin	NOTE (I)



Copyright FCI.

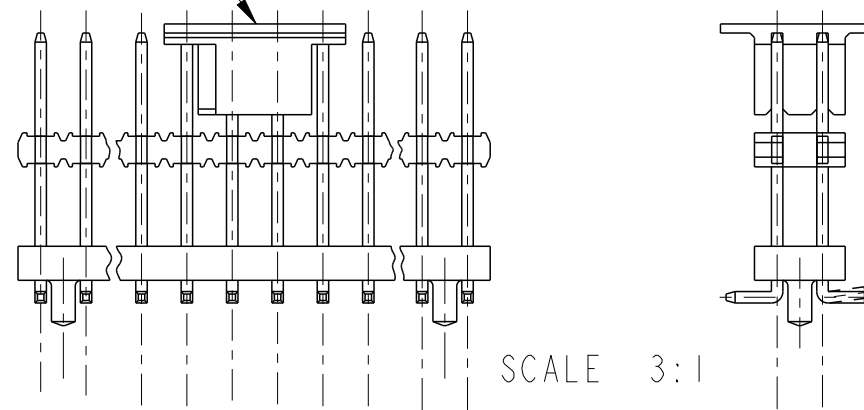
spec ref	-	dr	Andrew Yong	2010/10/25	projection	MM	size	A3	scale	12:1	
tolerance std	ISO 406 ISO 1101	eng	Guo-Min Sun	2014/08/26			ecn no	ELX-N-18628-1			
TOLERANCES UNLESS OTHERWISE SPECIFIED		chr	-	-			rel level	Released			
surface	ISO 1302	appr	Rick Bian	2014/08/26	product family	-	dwg no	10065491		rev	M
	linear	0.X	±-		MINITEK II R/R						
		0.XX	±0.25		SMT STR HDR WITH LOCATOR						
	angular	0°	±3°		cat. no.	-	Product - Customer Drw		sheet 2 of 3		

NOTES:

1. MATERIAL:
 BODY : GLASS FILLED PCT UL 94V-0 NATURAL (BEIGE)
 PIN : PHOSPHOR BRONZE
2. TOLERANCE UNLESS OTHERWISE NOTED ± 0.25
3. DIM 1.0 ± 0.15 FOR MOLDED SIDE(S) ONLY. IF SIDE(S) ARE BROKEN, DIM 1.5 MAX APPLIES.
4. RECESS APPLIES TO MOLDED SIDE(S) ONLY.
5. POLARISATION BY OMISSION OF PIN. POSITION REFER TO TABLE.
6. P/N 10065491-XXXT TO BE PACKED IN TUBE.
7. P/N 10065491-XXXTC TO BE PACKED IN TUBE WITH PICK-UP CAP INSTALLED IN THE CENTRE OF THE PRODUCT. SEE FIG 1.
8. P/N 10065491-XXXTR TO BE PACKED IN TAPE & REEL WITH PICK-UP CAP INSTALLED IN THE CENTRE OF THE PRODUCT. SEE FIG 1.
9. P/N 10065491-XXXTRN TO BE PACKED IN TAPE & REEL WITHOUT PICK-UP CAP.
10. PRODUCT PART NUMBER DESCRIPTIONS:
 10065491-XXX LF
 LF LEAD FREE. SEE NOTE 11
 XXX NO. OF POSITIONS (RANDOM)
11. 10065491-XXXLF IS SAME TO 10065491-XXX. THE SUFFIX 'LF' IS ADDED JUST FOR EASY LEAD FREE IDENTIFICATION.
12. THE HOUSING WILL WITHSTAND EXPOSURE TO 255°C PEAK TEMPERATURE FOR 10 SECONDS IN A CONVECTION, INFRA-RED OR VAPOR PHASE REFLOW OVEN.

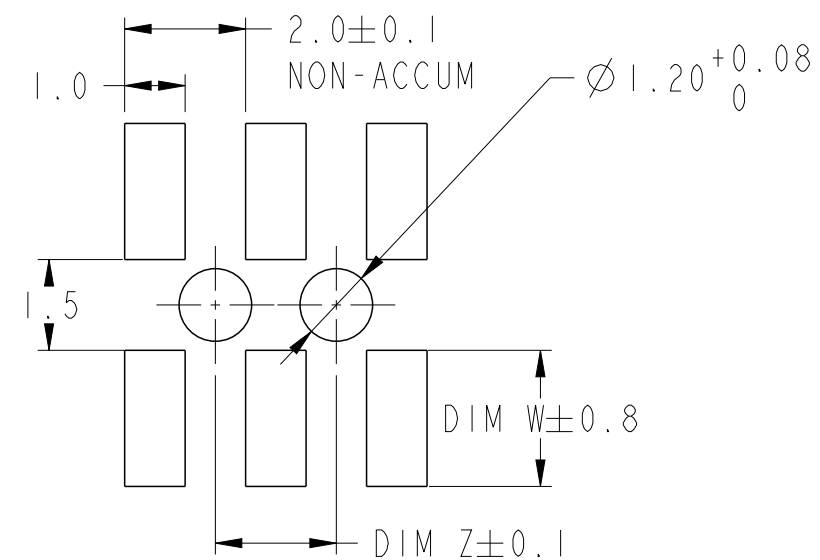
13. THE HOUSING WILL WITHSTAND EXPOSURE TO 260°C PEAK TEMPERATURE FOR 10 SECONDS IN A WAVE SOLDER APPLICATION WITH A 1.57mm MINIMUM THICK CIRCUIT BOARD.
14. THIS PRODUCT MEETS EUROPEAN UNION DIRECTIVES AND OTHER COUNTRY REGULATIONS AS DESCRIBED IN GS-22-008.
15. A \triangle SYMBOL WILL BE NEXT TO ANY DIMENSION, VIEW OR NOTE WHICH HAS BEEN MODIFIED WITH THE CURRENT DRAWING REVISION.
16. DIM C=DIM B+4.0

PICK-UP CAP
(COLOR BLACK)



SCALE 3:1

FIG. 1



RECOMMENDED PAD LAYOUT

spec ref	-	dr	Andrew Yong	2010/10/25	projection	MM	size	A3	scale	5:1		
tolerance std	ISO 406 ISO 1101	eng	Guo-Min Sun	2014/08/26			ecn no	ELX-N-18628-1				
surface	✓	chr	-	apppr			Rick Bian	2014/08/26	product family	-	rel level	Released
	linear	0.X	±-		MINITEK II R/R			dwg no	10065491		rev	M
		0.XX	±0.25		SMT STR HDR WITH LOCATOR							
	angular	0°	±3°		www.fci.com	cat. no.	-	Product - Customer Drw		sheet 3 of 3		



Copyright FCI.