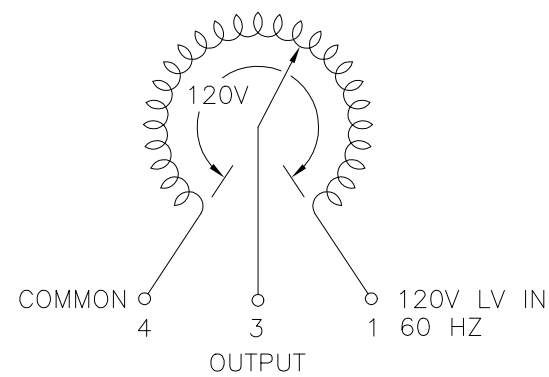
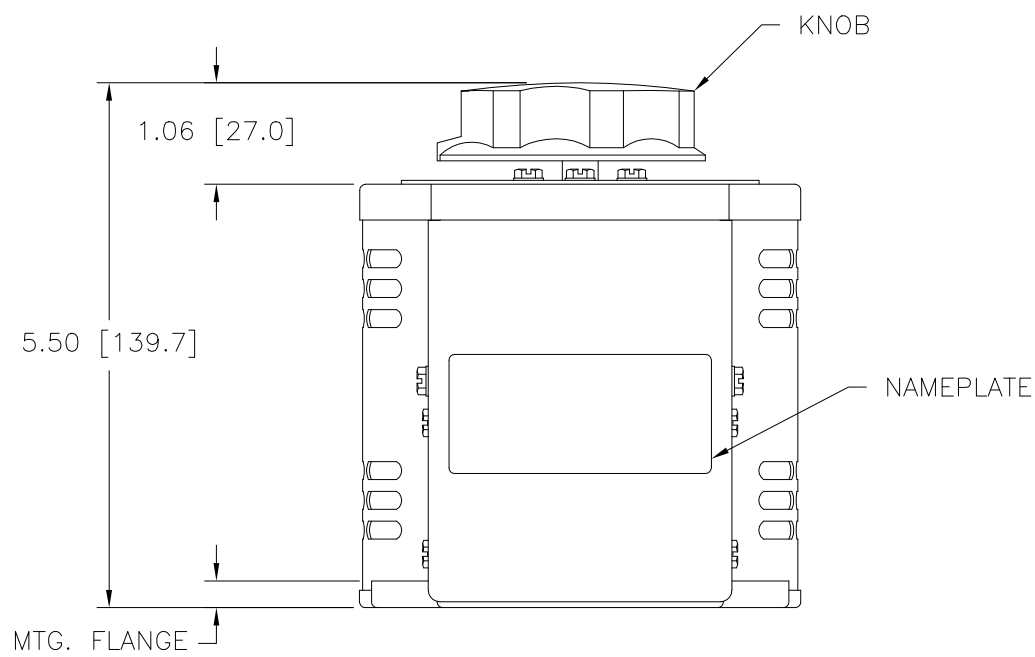


.88 [22.2] DIA. KNOCKOUT  
(3) PLACES FOR  
WIRING CONNECTIONS



SCHMATIC  
VIEW FROM BASE END  
FUSE RECOMMENDED BUT NOT SUPPLIED

SPECIFICATIONS											
WIRING	INPUT		OUTPUT				SHAFT ROTATION TO INCREASE VOLTAGE	TERMINAL CONNECTIONS			
	VOLTS	HERTZ	VOLTS	CONSTANT CURRENT LOAD	CONSTANT IMPEDANCE LOAD	FOR INCREASING VOLTAGE AS VIEWED FROM BASE END					
				MAX. AMPS	MAX. KVA	MAX. AMPS	MAX. KVA		INPUT	JUMPER	OUTPUT
SINGLE PHASE	120	60	0-120	12	1.44	15	1.80	CW	1-4	---	4-3
								CCW	1-4	---	1-3

UNLESS OTHERWISE SPECIFIED, TOLERANCE IS ±				UNITS		TITLE: SPEC. CONTROL DRAWING				
DECIMALS	HOLES	ANGLES	DRAFT	IN	MM	VARIABLE TRANSFORMER				
.XX	.0000	.06	1°	1-1/2°		MODEL: 1210BCT				
-.005						MATERIAL:				
				ALL DIMENSIONS APPLY AFTER PLATING		DRAWN BY: S.A. SMITH		DATE: 9/24/97	FIRST USED ON:	DO NOT SCALE DWG.
						CHECKER:	DATE:	WEIGHT APPROX. 10.5 LBS	CAGE CODE 83008	DWG. NO. 031-3006
						ENGINEER:	DATE:	SCALE 1=1	SHEET 1 OF 1	

