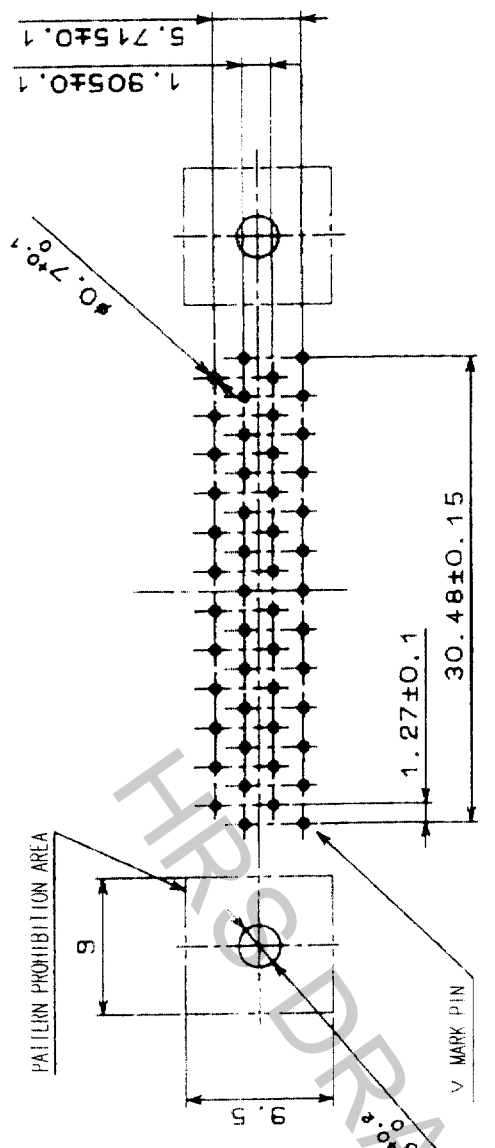
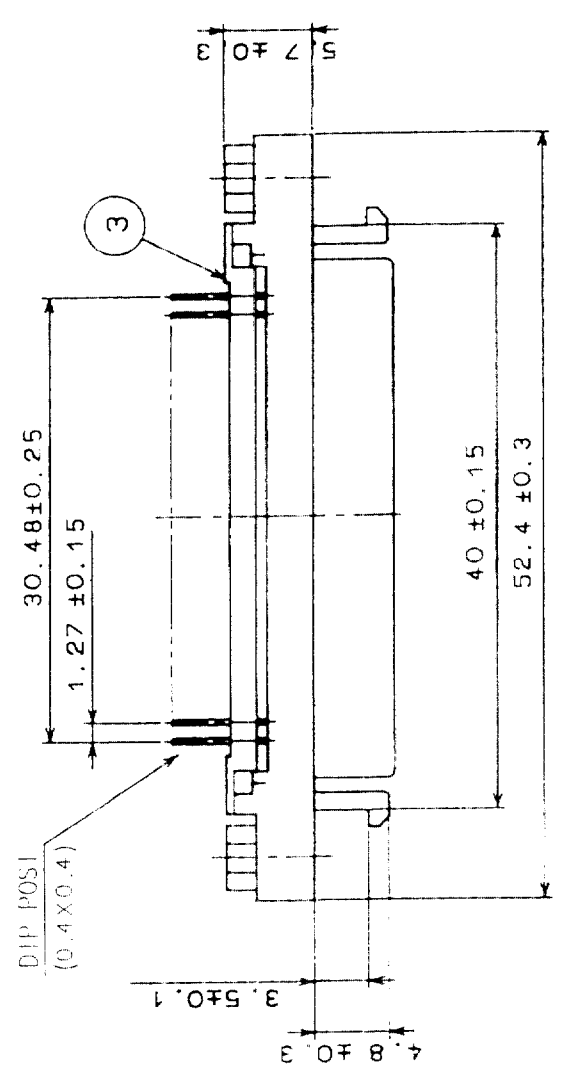
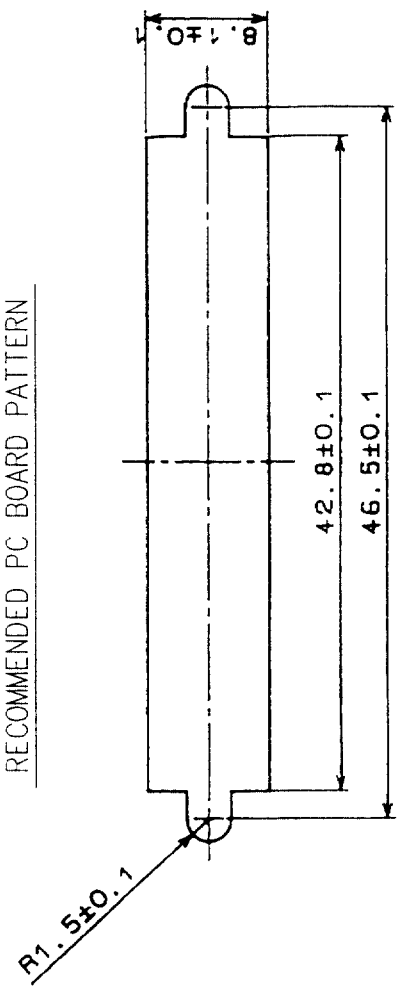
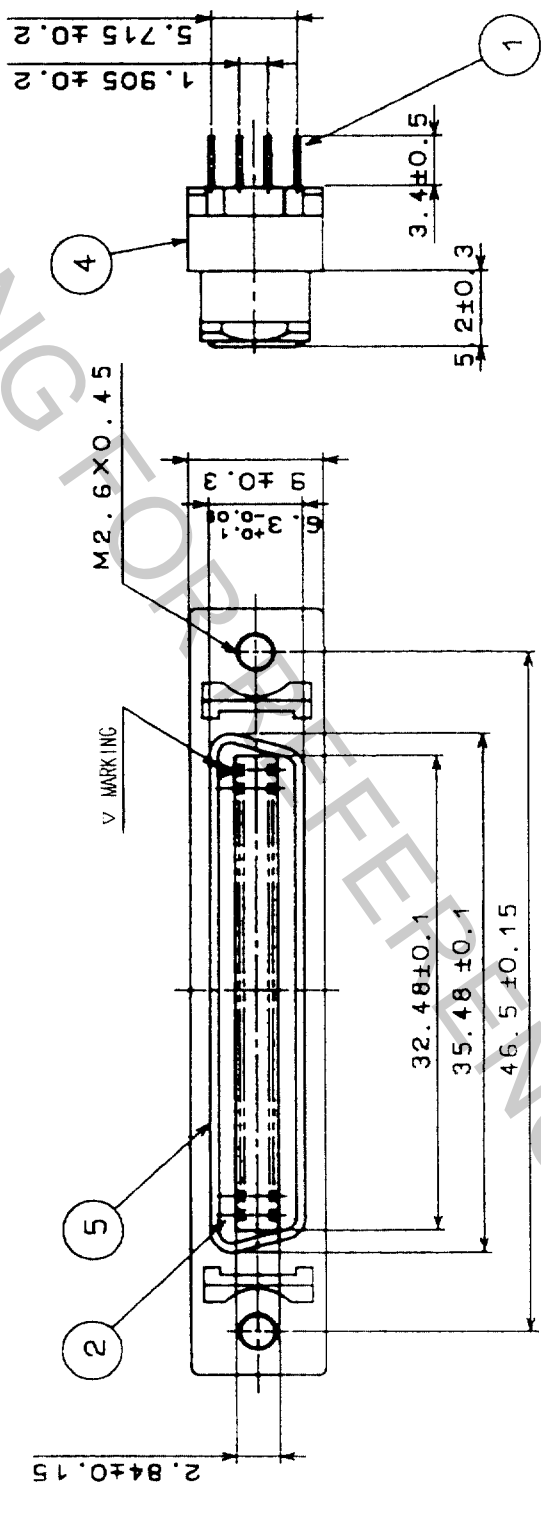


COUNT	DESCRIPTION OF REVISIONS	BY	CHKD	DATE	COUNT	DESCRIPTION OF REVISIONS	BY	CHKD	DATE



RECOMMENDED PC BOARD PATTERN



PANEL CUTOUT  
(PANEL THICKNESS TO BE 1.6 mm MAX)

NO.	MATERIAL	FINISH, REMARKS	NO.	MATERIAL	FINISH, REMARKS
3	PBT	UL94V-0(BLACK)	5	STEEL	NICKEL PLATING
2	PBT	UL94V-0(BLACK)	4	ZINC ALLOY DIE CASTING	NICKEL PLATING
1	PHOSPHOR BRONZE	SELECTIVE GOLD PLATING 0.3µm			

CODE NO. (OLD)	CL	DRAWN	DESIGNED	CHECKED	APPROVED	RELEASED

DRAWING NO.	PART NO.
EDC3-040855-01	DX20M-50S(50)

SCALE	UNITS	CODE NO.
2 : 1	(MM)	CL230-5016-6-50

