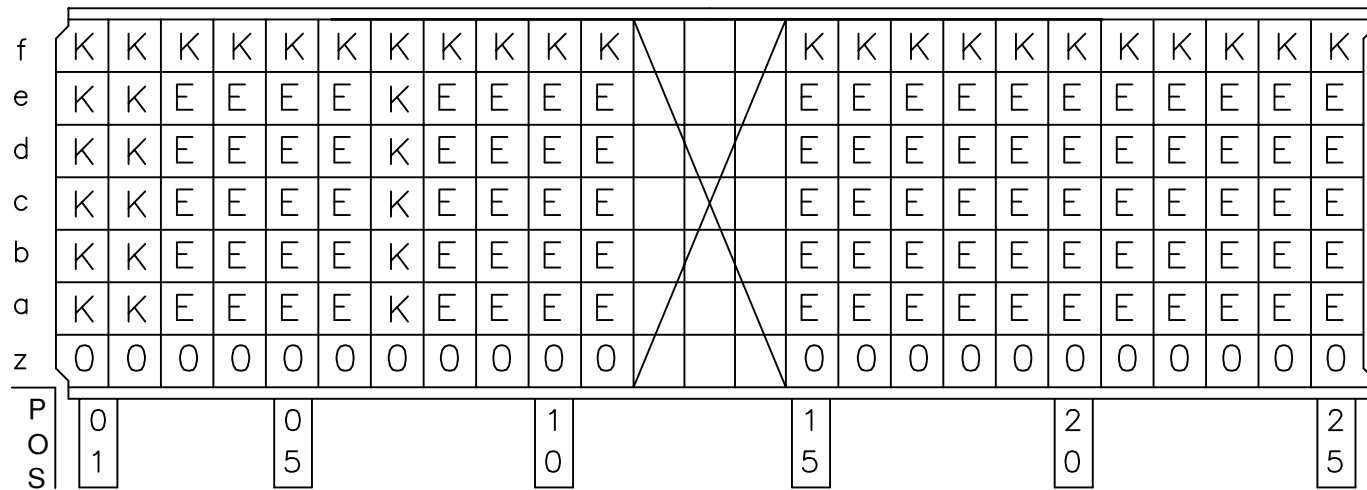
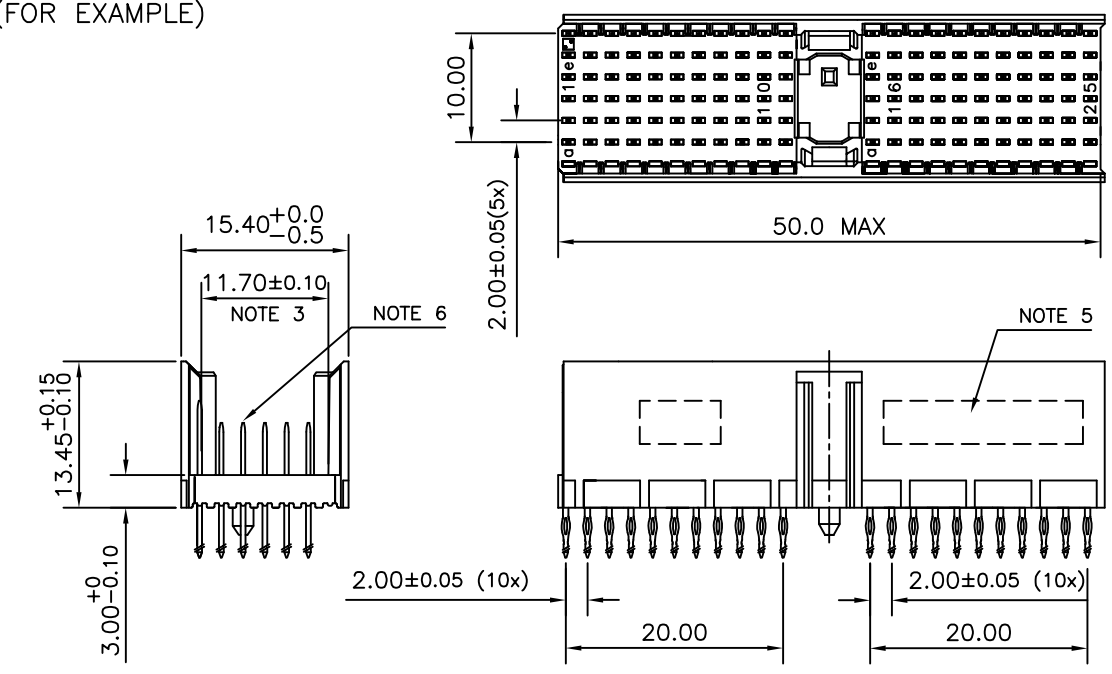


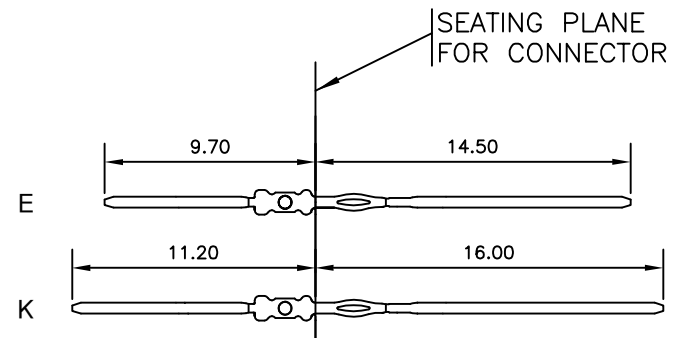
LOADING PATTERN MATING SIDE



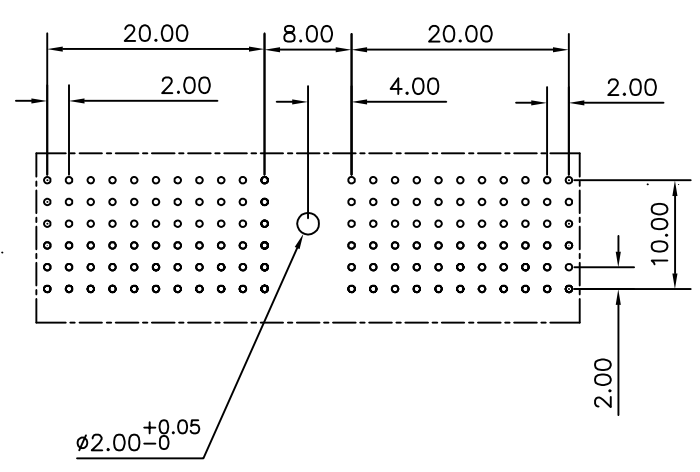
LOADED CONNECTOR ASSEMBLY (FOR EXAMPLE)



CONTACT OVERVIEW



LAY-OUT P.C.B.-HOLE



HM2PN1PNF3N5 **LEAD FREE INDICATOR : LF = LEAD FREE (DIGIT 15 & 16)**

**PLATING CODE (DIGIT 13 AND 14)**  
(REF DRW NO. BS,C , 201844 , 003)

NOTES

- THIS PRODUCT IS CSA APPROVED.
  - THIS PRODUCT IS UL RECOGNIZED.
  - MEASURED AT THE BOTTOM.
  - MATERIAL CONTACT: PHOSPHORBRONZE  
HOUSING: CREAM WHITE GLASS FILLED POLYESTER UL-94V0
  - CONNECTOR PRINTED WITH P/N AND DATE CODE.
  - FOR ACTUAL CONTACT LOADINGS, SEE LOADING PATTERN MATING SIDE.
  - SHAPE OF CONNECTOR HOUSING CAN ALTER DEPENDING ON PRODUCTION LOCATION
  - THIS PRODUCT (LF) MEETS EUROPEAN UNION DIRECTIVES AND OTHER COUNTRY REGULATIONS AS DESCRIBED IN GS-22-008
  - FOR RECOMMENDED PTH DIMENSIONS REFER DRAWING : BS, A , 201572 , 001
- PART NO: HM2PN1PNF3N5----

mat'l. code SEE NOTE 4				surface ISO 1302 ✓		tolerance ISO 406 ISO 1101		projection MM		product family MILLIPACS			
litr				ecn no		dr		date		title			
A				105-0139		MINI		2005/08/10		MPACS 5+2R STR HDR PF CONN TYPE A (WIDTH = 15.4 MAX)			
B				106-0099		MINI		2006/07/07					
										angles		linear	
										0°±1°			
										scale		-	
										dr		MINI K VANDANATH 2005/03/08	
										enr		BIJU K PAUL 2005/03/08	
										chr		BIJU K PAUL 2006/07/07	
										appd		BIJU K PAUL 2006/07/07	
sheet index		revision sheet		B								sheet 1 of 1 size 5	
		1										A3	
												type Product Customer Drawing	



Copyright FCI