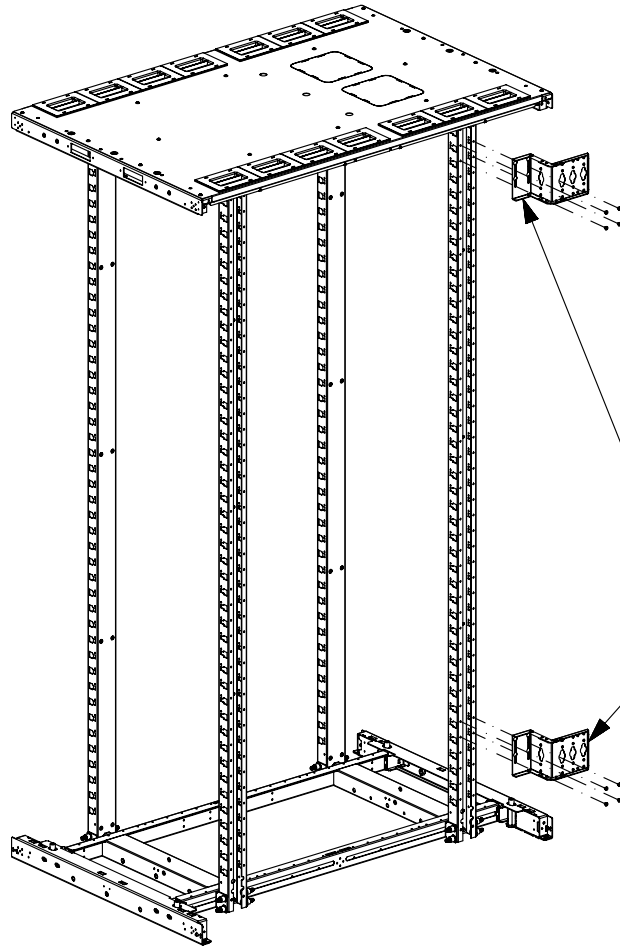


THIS COPY IS PROVIDED ON A RESTRICTED BASIS AND IS NOT TO BE USED IN ANY WAY DETRIMENTAL TO THE INTERESTS OF PANDUIT CORP.

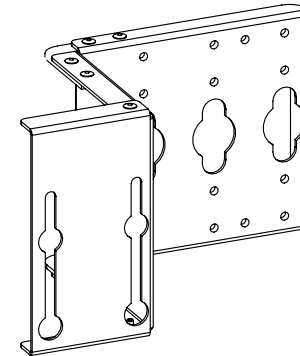


APPLICATION VIEW  
CABINET NOT INCLUDED

PANDUIT P/N	WEIGHT
NVPDUB	2.0 Kg/EACH 4.4 LBS/EACH

NOTES:

- VISIT OUR ON-LINE CATALOG AT [WWW.PANDUIT.COM](http://WWW.PANDUIT.COM) FOR A LIST OF CURRENT PARTS APPLICABLE FOR USE WITH THIS PRODUCT.
- PRIMARY DIMENSIONS ARE IN MILLIMETERS (mm).
- PARTS SUPPLIED:  
(2) - PDU BRACKETS  
(8) - TORX SCREWS  
(1) - INSTRUCTION SHEET

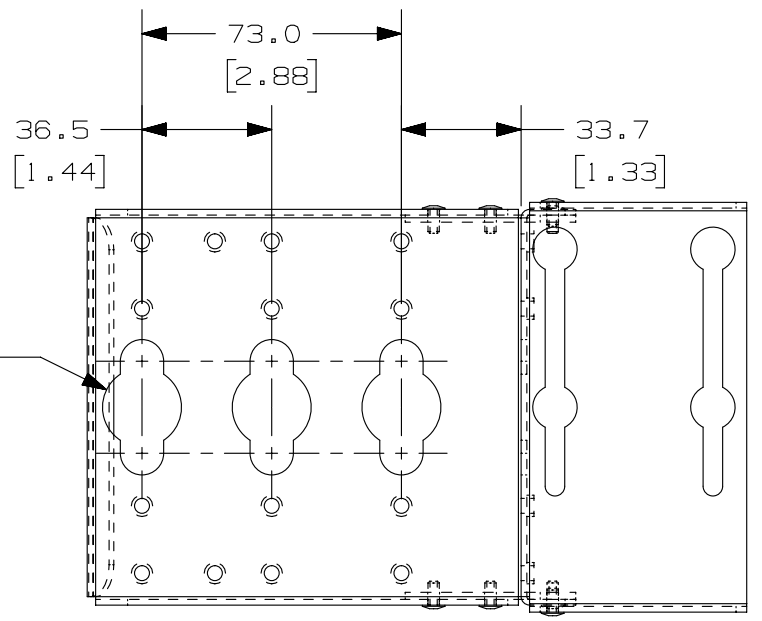
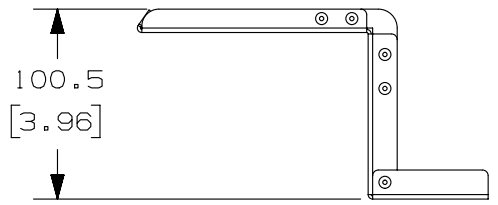


ISO VIEW

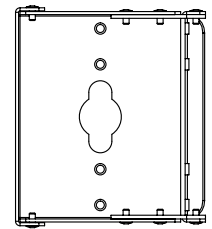
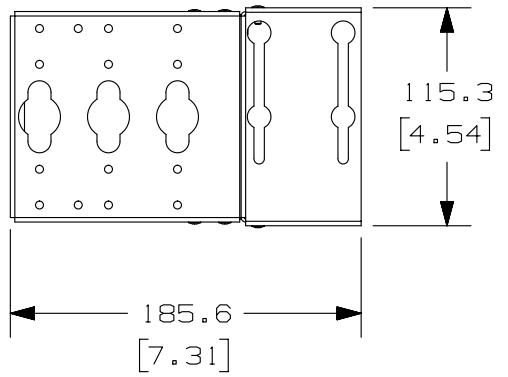
OOA	9-18-13	PBS			RELEASED TO PRODUCTION				11V223GS-DC
REV	DATE	BY	CHK	APR	DESCRIPTION		ECN		

TITLE NVPDUB NET ACCESS N-TYPE POU BRACKET FG CUSTOMER DRAWING			
ITEM REVISION NAME 11V223GS/00.PRT		MATERIAL/COLOR:	
DATASET FILE NAME 11V223GS_DC/00A.PRT		<b>PANDUIT</b> ™	
UNLESS OTHERWISE SPECIFIED, DIMENSIONAL TOLERANCES ARE:			
INCHES	METRIC - MILLIMETER	ANGLE	
X.X +/- 0.06	X +/- 1.5	+/- 1°	
X.XX +/- 0.03	X.X +/- 0.8		
X.XXX +/- 0.015	X.XX +/- 0.4		
DRAWN BY PBS		DRAWING NUMBER: 11V223GS-DC	
DATE 9-18-13		THIRD ANGLE PROJECTION	
CHK	SCALE	SIZE	
	NONE	SHT 1 OF 2 A	

THIS COPY IS PROVIDED ON A RESTRICTED BASIS AND IS NOT TO BE USED IN ANY WAY DETRIMENTAL TO THE INTERESTS OF PANDUIT CORP.



3X 22.2 DIA  
[.88]



REV	DATE	BY	CHK	APR	DESCRIPTION	ECN
OOA	9-18-13	PBS			SEE SHEET 1 OF 2 FOR REVISIONS	11V223GS-DC

TITLE NVPDUB NET ACCESS N-TYPE POU BRACKET FG CUSTOMER DRAWING					
ITEM REVISION NAME 11V223GS/00.PRT		<b>PANDUIT</b> <sup>TM</sup>			
DATASET FILE NAME 11V223GS_DC/00A.PRT					
UNLESS OTHERWISE SPECIFIED, DIMENSIONAL TOLERANCES ARE:			MATERIAL/COLOR:		
INCHES	METRIC - MILLIMETER	ANGLE	DRAWING NUMBER: 11V223GS-DC		
X.X +/- 0.06	X +/- 1.5	+/- 1°			
X.XX +/- 0.03	X.X +/- 0.8				
X.XXX +/- 0.015	X.XX +/- 0.4				
DRAWN BY PBS		DATE 9-18-13	CHK	SCALE NONE	SIZE A

2

1

2

1