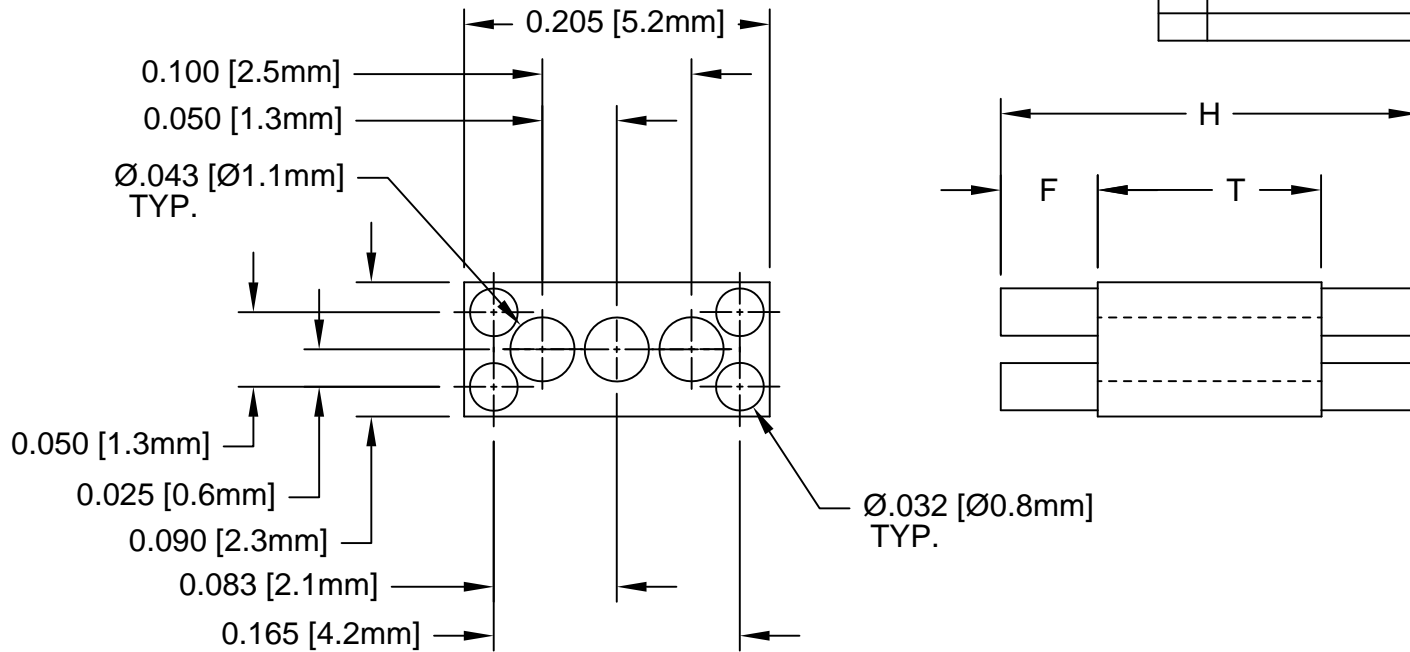

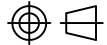


REV.	DESCRIPTION	DATE	APPROVED
A	Engineering Update w/o Changes	02/27/04	M. C.
B	Removed Material Code	05/23/16	J. C.



PART NUMBER	H	T	F
RL4-560	.560 (14.2mm)	0.540 (13.7mm)	0.010 (.25mm)
RL4-580	.580 (14.7mm)		0.020 (.51mm)
RL4-600	.600 (15.2mm)		0.030 (.76mm)
RL4-620	.620 (15.7mm)		0.040 (1.0mm)
RL4-640	.640 (16.3mm)		0.050 (1.3mm)
RL4-660	.660 (16.8mm)		0.060 (1.5mm)
RL4-680	.680 (17.3mm)		0.070 (1.8mm)
RL4-700	.700 (17.8mm)		0.080 (2.0mm)
RL4-720	.720 (18.3mm)		0.090 (2.3mm)
RL4-740	.740 (18.5mm)		0.100 (2.5mm)
RL4-760	.760 (19.3mm)		0.110 (2.8mm)

STANDARD TOLERANCE (UNLESS OTHERWISE SPECIFIED)		 4 THOMAS, IRVINE, CA. 92618 TEL: (949) 951-8808 FAX: (949) 951-3974	
DECIMALS	ANGULAR		
.X ± .1	X° ± 1°		TITLE: MOLDED RECTANGULAR LED MOUNT
.XX ± .01			PART NO: RL4-XXX
.XXX ± .005			REVISION: B
DESIGNED: D. Green	DATE: 06/06/03	CAGE CODE : 32559	SHEET # 1 OF 1
CHECKED: M. Chen	DATE: 06/06/03	CAD GENERATED DOCUMENT. DO NOT MEASURE DRAWING.	

2. MATERIAL: NYLON 6/6, 94V-0, WHITE.

1. GENERAL SPECIFICATIONS: BIVAR MOLDED COMPONENT SPECIFICATION BV00-E101.