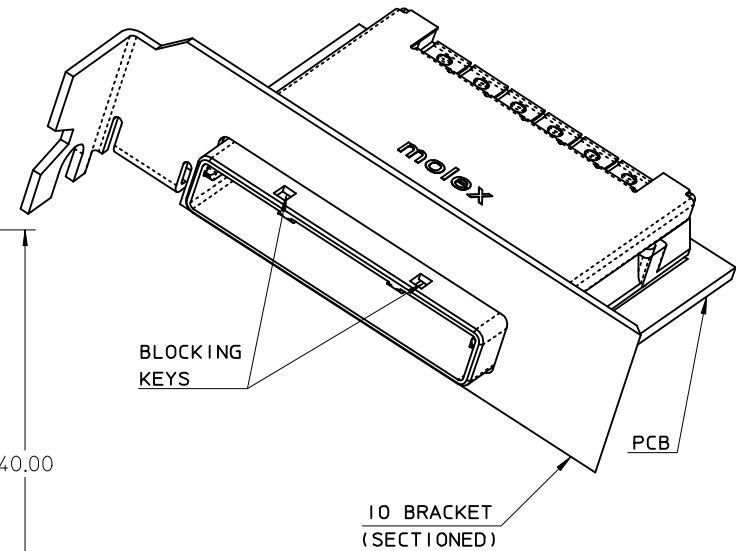
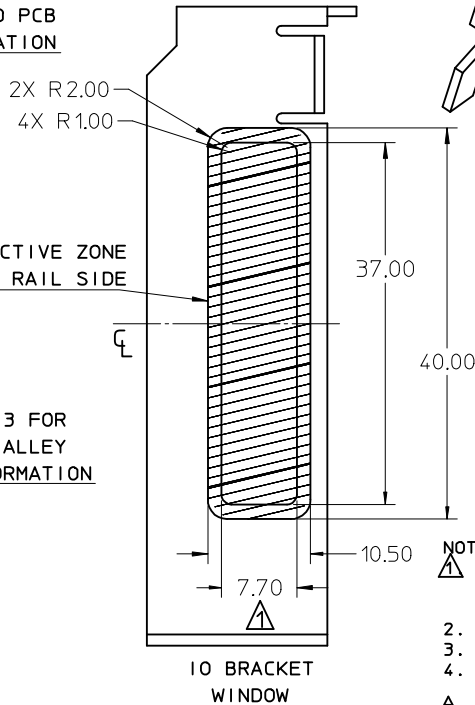
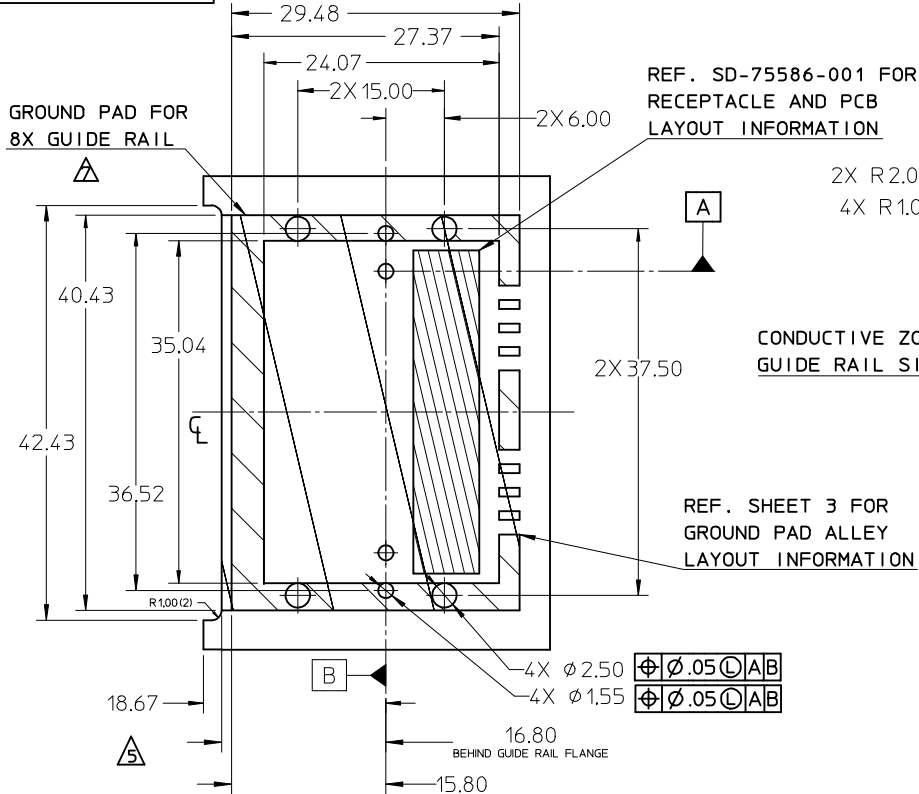


MM : TM-74540-0206



PCIe EXPANSION CARD APPLICATION SHOWN USING 1 DEGREE GUIDE HOUSING ASSEMBLY

- NOTES:
- REF. PCI EXPRESS CARD ELECTROMECHANICAL SPECIFICATION, REV 1.0a FOR 10 BRACKET WINDOW LOCATION.
  - PCB AND 10 BRACKET SHOWN FOR REFERENCE ONLY.
  - REFER TO SHEET 2 FOR ATCA GUIDE HOUSING ASSY.
  - GUIDE HOUSING MOUNTING THREAD= M2 X 0.4, SEE SHEET 3 FOR SCREW LENGTH + TORQUE SPEC.
  - PCB NOTCH IS SHOWN FOR PCI COMPLIANT BOARD.
  - THIS PRODUCT MEETS THE RESTRICTION OF HAZARDOUS SUBSTANCES IN ELECTRICAL AND ELECTRONIC EQUIPMENT (RoHS) DIRECTIVE (2002/95/EC).
  - PLATE GROUND PAD WITH EMERSION SILVER OR GOLD.
  - MATES WITH MOLEX 8X CABLE SERIES 74546-080X.
  - GUIDE HOUSING PEGS FOR ALIGNMENT ONLY, DO NOT SOLDER.
  - MATERIAL: NI PLATED ZINC DIECAST.

iPass™ is a trademark of Molex

SCALE 2:1 DESIGN UNITS METRIC THIRD ANGLE PROJECTION

I-PASS X8 EMI GUIDE HOUSING ASSEMBLY W/ KEYS

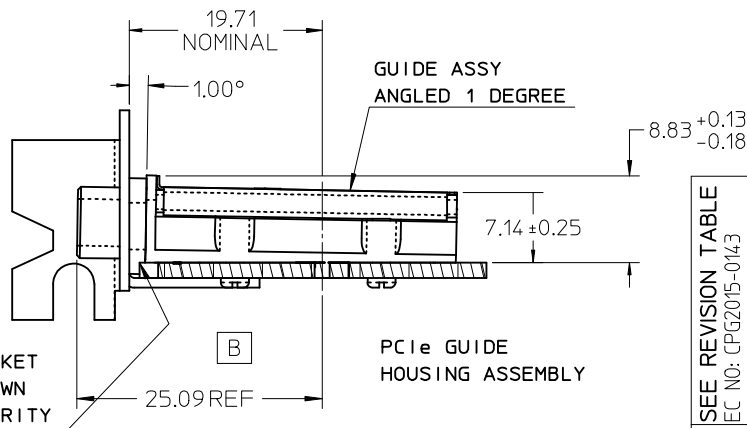
**molex**

DOCUMENT NO. SD-74540-101

SHEET NO. 1 OF 4

SEE P/N TABLE

THIS DRAWING CONTAINS INFORMATION THAT IS PROPRIETARY TO MOLEX INCORPORATED AND SHOULD NOT BE USED WITHOUT WRITTEN PERMISSION



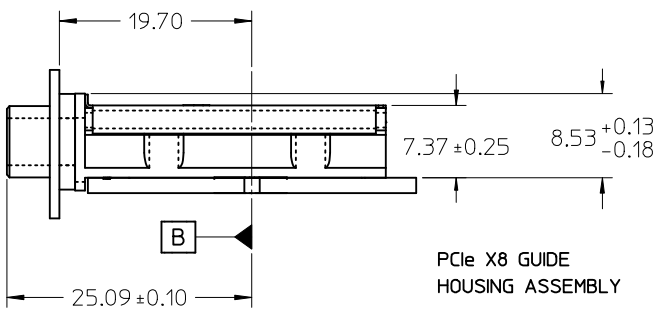
SEE REVISION TABLE EC NO: CPG2015-0143 DRAWN: WANG07 2014/07/11 CHKD: SYANG16 2014/07/14 APPR: RCHEN08 2014/07/28	QUALITY SYMBOLS	GENERAL TOLERANCES (UNLESS SPECIFIED)	DIMENSION STYLE	SCALE	DESIGN UNITS	THIRD ANGLE PROJECTION
	▽=0	mm INCH	MM ONLY	2:1	METRIC	
	▽=0	4 PLACES ± --- ± ---	DRAWN BY DATE			
	▽=0	3 PLACES ± --- ± ---	JERWIN 2006/05/25			
	▽=0	2 PLACES ± 0.05 ± ---	CHECKED BY DATE			

1 PLACE ± 0.10 ± ---	APPROVED BY DATE
0 PLACE ± ±	DDOYE 2006/05/25

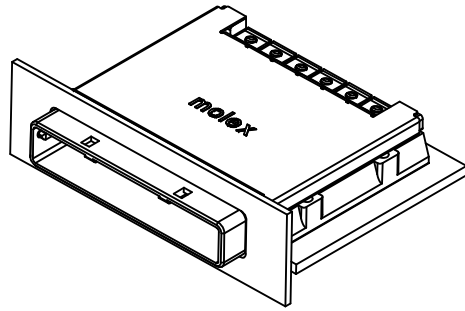
ANGULAR ± 1/2°  
DRAFT WHERE APPLICABLE MUST REMAIN WITHIN DIMENSIONS

SIZE B	MATERIAL NO.	DOCUMENT NO.	SHEET NO.
	SEE P/N TABLE	SD-74540-101	1 OF 4

10 9 8 7 6 5 4 3 2 1

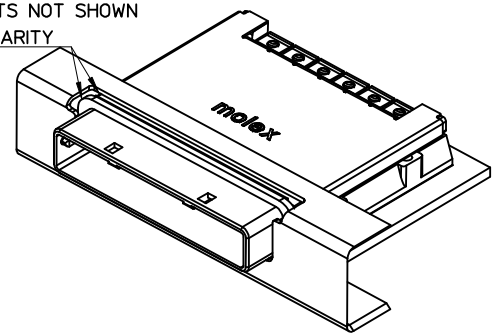


PCIe X8 GUIDE HOUSING ASSEMBLY

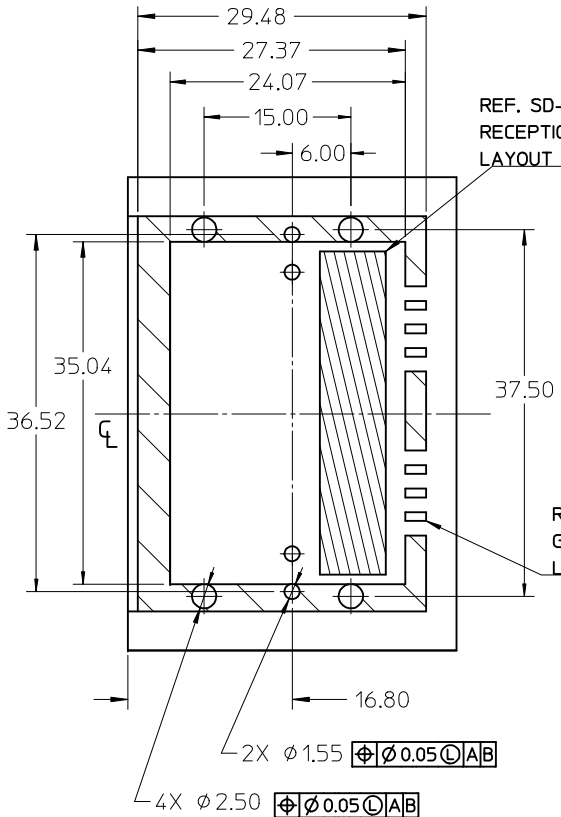


STANDARD APPLICATION SHOWN USING 0 DEG GUIDE HOUSING ASSEMBLY

GASKETS NOT SHOWN FOR CLARITY

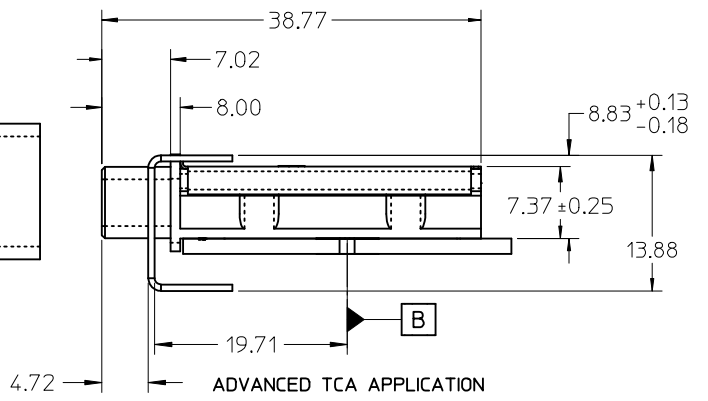
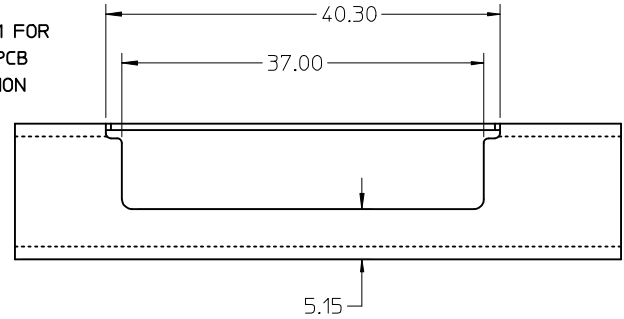


ADVANCED TCA APPLICATION USING 0 DEG GUIDE HOUSING ASSEMBLY



REF. SD-75586-001 FOR RECEPTAL AND PCB LAYOUT INFORMATION

REF. SHEET 3 FOR GROUND PAD ALLEY LAYOUT INFORMATION



iPass™ is a trademark of Molex

SEE REVISION TABLE

EC NO: CPG2015-0143	2014/07/11
DRW:NEWANG07	2014/07/14
CHKD:SYANG16	2014/07/28
APPR:RCHEN08	

REV	DESCRIPTION
▽E/0	
▽E/0	
▽E/0	

GENERAL TOLERANCES (UNLESS SPECIFIED)	
	mm
4 PLACES	± 0.10
3 PLACES	± 0.15
2 PLACES	± 0.20
1 PLACE	± 0.25
0 PLACE	± 0.30
ANGULAR ± 1/2°	
DRAFT WHERE APPLICABLE MUST REMAIN WITHIN DIMENSIONS	

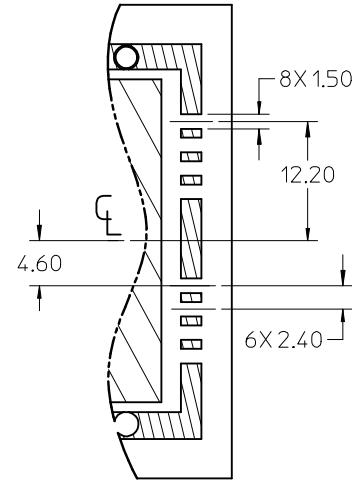
DIMENSION STYLE	
MM ONLY	
DRAWN BY	DATE
JERWIN	2006/05/25
CHECKED BY	DATE
BREED	2006/05/25
APPROVED BY	DATE
DDOYE	2006/05/25
MATERIAL NO.	
SEE P/N TABLE	

SCALE	DESIGN UNITS	THIRD ANGLE PROJECTION
2:1	METRIC	☉
TITLE		
I-PASS X8 EMI GUIDE HOUSING ASSEMBLY W/ KEYS		
<b>molex</b>		
DOCUMENT NO.	SHEET NO.	
SD-74540-101	2 OF 4	

9 8 7 6 5 4 3 2 1

MOLEX P/N	DESCRIPTION	GEN
745400101	8x EMI Guide Housing Assembly - PCIe / 1 Deg	Gen 1
745400201	8x EMI Guide Housing Assembly - ATCA / 0 Deg	Gen 1

PCB THICKNESS	SCREW LENGTH	TORQUE (IN LBS)
1.6 (.063")	5MM	2.3
2.38 (.093")	6MM	2.3
3.2 (.125")	6MM	2.3
X	+4MM MAX	2.3



GROUND PAD ALLEY  
LAYOUT INFORMATION



SEE REVISION TABLE EC NO: CPG2015-0143 DRAWN: WANG07 2014/07/11 CHKD: SYANG16 2014/07/14 APPR: RCHEN08 2014/07/28	QUALITY SYMBOLS F=0 F=0 F=0	GENERAL TOLERANCES (UNLESS SPECIFIED)		DIMENSION STYLE MM ONLY		SCALE 2:1	DESIGN UNITS METRIC	THIRD ANGLE PROJECTION		
			mm	INCH	DRAWN BY JERWIN	DATE 2006/05/25	TITLE I-PASS X8 EMI GUIDE HOUSING ASSEMBLY W/ KEYS <b>molex</b>			
		4 PLACES	± ---	± ---	CHECKED BY BREED	DATE 2006/05/25				
		3 PLACES	± ---	± ---	APPROVED BY DDOYE	DATE 2006/05/25	DOCUMENT NO. SD-74540-101		SHEET NO. 3 OF 4	
2 PLACES	± 0.05	± ---	MATERIAL NO. SEE P/N TABLE		THIS DRAWING CONTAINS INFORMATION THAT IS PROPRIETARY TO MOLEX INCORPORATED AND SHOULD NOT BE USED WITHOUT WRITTEN PERMISSION					
1 PLACE	± 0.10	± ---	SIZE B							
0 PLACE	±	±	ANGULAR ± 1/2°							
DRAFT WHERE APPLICABLE MUST REMAIN WITHIN DIMENSIONS										

REVISION HISTORY

DATE (YEAR/MONTH/DAY)	REV	DESCRIPTION
2013/12/18	H	1. ADDED NOTES 10. MATERIAL: Ni PLATED ZINC DIECAST. [SHT 1] 2. CHANGED W/ NEW MOLEX FORMAT
2014/07/11	J	1. CHANGED 25.16 TO 25.09REF TO MEET PCI EXPRESS EXTERNAL CABLING SPECIFICATION @A9 [SHEET 1] 2. ADDED MM 3D NO. @F10 [SHEET 1] 3. THE MOLEX CHARACTER FIGURE UPDATE @F2 [SHEET 1], @F2 F5 [SHEET 2] 4. CHANGED 25.09 TO 25.09+/-0.1 @E9 [SHEET 2]

SEE REVISION TABLE EC NO: CPG2015-0143 DRW: NEWANG07 2014/07/11 CHKD: SYANG16 2014/07/14 APPR: RCHEN08 2014/07/28	QUALITY SYMBOLS	GENERAL TOLERANCES (UNLESS SPECIFIED)	DIMENSION STYLE	SCALE	DESIGN UNITS	THIRD ANGLE PROJECTION
	▽F/0	mm INCH	MM ONLY	1:1	METRIC	
	▽F/0	4 PLACES ± --- ± ---	DRAWN BY DATE	TITLE I-PASS X8 EMI GUIDE HOUSING ASSEMBLY W/ KEYS		
	▽F/0	3 PLACES ± --- ± ---	JERWIN 2006/05/25			
		2 PLACES ± 0.05 ± ---	CHECKED BY DATE	DOCUMENT NO. SD-74540-101 SHEET NO. 4 OF 4		
	1 PLACE ± 0.10 ± ---	BREED 2006/05/25				
	0 PLACE ± ±	APPROVED BY DATE	MATERIAL NO. THIS DRAWING CONTAINS INFORMATION THAT IS PROPRIETARY TO MOLEX INCORPORATED AND SHOULD NOT BE USED WITHOUT WRITTEN PERMISSION			
	ANGULAR ± 1/2°	DDOYE 2006/05/25				
	DRAFT WHERE APPLICABLE MUST REMAIN WITHIN DIMENSIONS	SEE P/N TABLE				