

Amphenol FCI  
 © 2016 AFCI

10135583 - AA B C D E FF

AA	POSITION
64	2X32

B	FOR PLUG, SEE DWG. NO. 10135584	
COMBINATION OF MATED HEIGHT	Plug 1 	Plug 4 
Recep 1 		
Recep 2 		
Recep 3 		

E	PACKAGING
2	T&R WITH METAL CAP
Q	T&R WITHOUT CAP

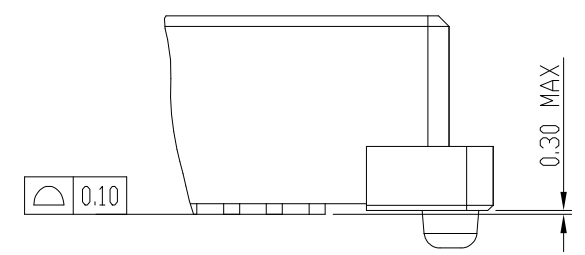
D	POLARIZATION PEG
0	YES

C	PLATING	FF
4	GOLD 0.2um MIN / PURE TIN 2um MIN (LEAD FREE) NICKEL UNDERPLATE OVERALL 1.27umMIN	LF
5	GOLD 0.38um MIN / PURE TIN 2um MIN (LEAD FREE) NICKEL UNDERPLATE OVERALL 1.27umMIN	LF
6	GOLD FLASH (0.065um MIN) OVER PALLADIUM-NICKEL 0.69um MIN / PURE TIN 2um MIN (LEAD FREE) NICKEL UNDERPLATE OVERALL 1.27um MIN	LF

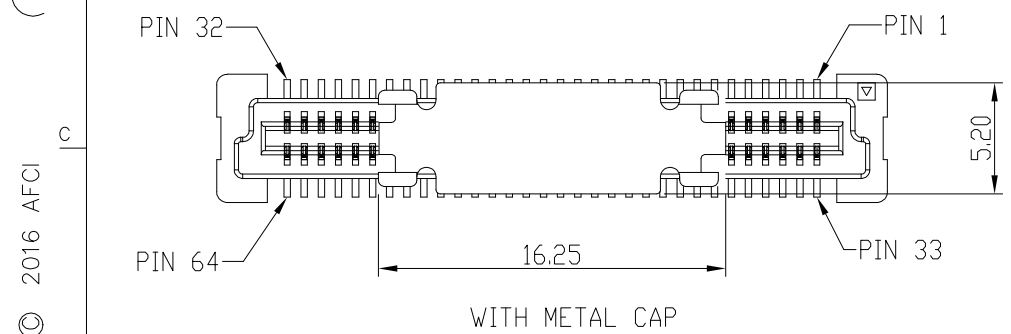
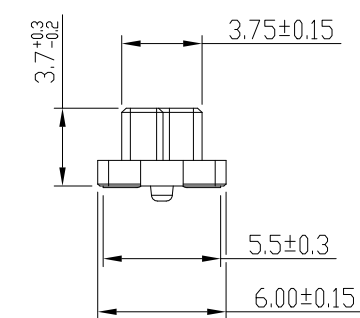
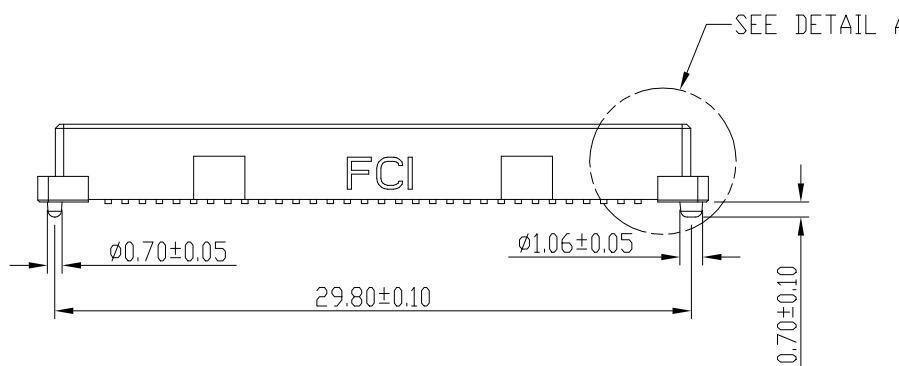
NOTES:

- MATERIAL  
HOUSING: HIGH THERMOPLASTIC, UL 94V-0  
TERMINAL: COPPER ALLOY
- PLATING  
AS SHOWN IN TABLE.
- SEE GS-12-547 FOR PRODUCT SPEC.
- PRODUCT WILL BE PACKED IN ACCORDANCE TO GLOBAL PROCEDURE GS-14-920.
- THIS PRODUCT MEETS THE EUROPEAN UNION DIRECTIVES AND OTHER COUNTRY REGULATIONS AS DESCRIBED IN GS-22-008.
- THE HOUSING WITH WITHSTAND EXPOSURE UP TO 260~ PEAK TEMPERATURE FOR 30 SECONDS IN A CONVECTION, INFRA-RED OR VAPOR REFLOW OVEN.

mat'l. code		surface ISO 1302 ✓		tolerance ISO 406 ISO 1101		projection 		product family BERGSTAK 0.8MM	
ltr	ecn no	dr	date	tolerances unless otherwise specified		mm 		title RECEPTACLE ASSY BERGSTAK 0.8MM	
A		Jim	06/05/15	angles	linear	.X±.20		dwg no	
B	ELX-B-25517-1	Bob	12/02/16			.XX±.15		sheet 1 of 5	
C	ELX-N-27438	Bob	07/11/17	X'±2'		.XXX±.10		size	
D	ELX-N-28877	Bob	12/26/17	dr	Jim Meng	06/05/15		A3	
				enr	Bob Gu	12/26/17		10135583	
				chr	LQ Lei	12/26/17		type	
				appd	Tim Yao	12/26/17		Product Customer Drawing	
sheet index	revision sheet	A	B	C	D				
		1~3	1~3	1~5	1~5				

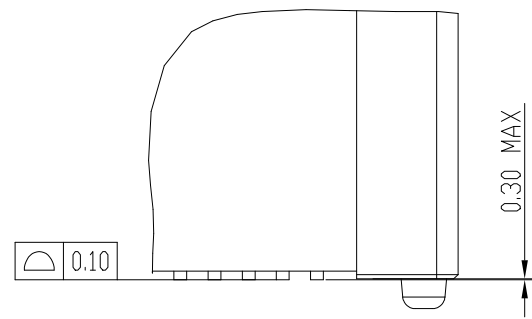
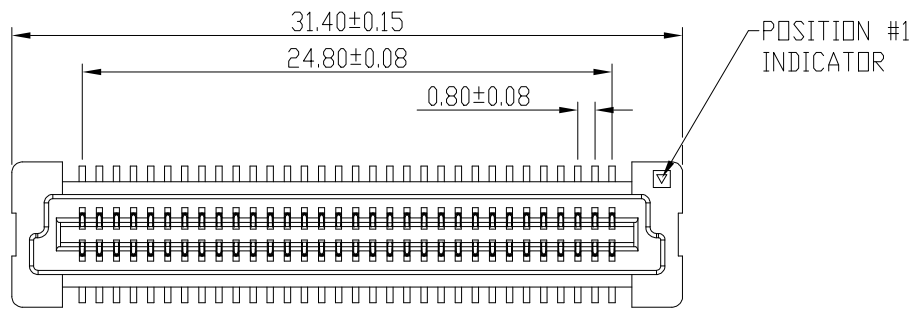


DETAIL A  
SCALE 10:1

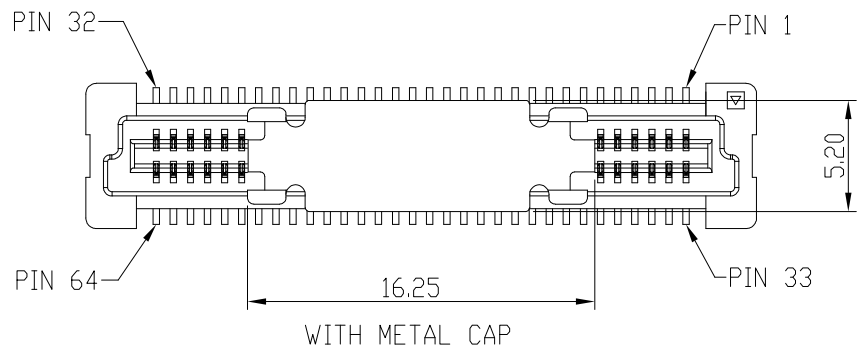
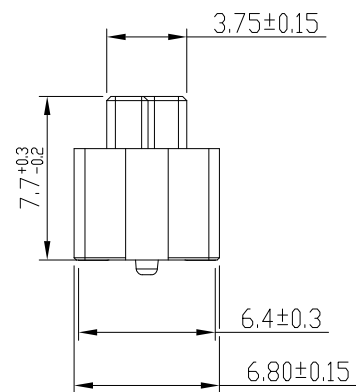
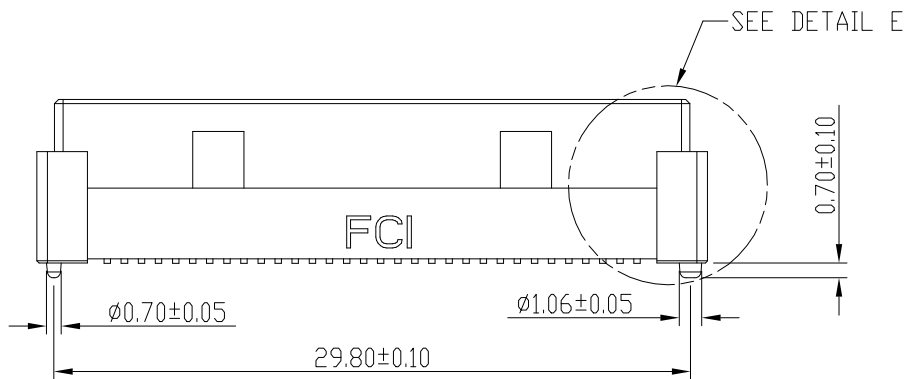


RECEPTACLE 1

mat'l. code		surface ISO 1302 ✓		tolerance ISO 406 ISO 1101		projection mm		product family BERGSTAK 0.8MM		
ltr	ecn no	dr	date	tolerances unless otherwise specified		mm		title RECEPTACLE ASSY BERGSTAK 0.8MM		
D				angles	linear	scale 1:1		dwg no 10135583		
				X±2'				sheet 2 of 5 size A3		
				dr	Jim Meng	06/05/15			type Product Customer Drawing	
				enr	Bob Gu	12/26/17				
				chr	LQ Lei	12/26/17				
				appd	Tim Yao	12/26/17				
sheet index	revision sheet	D	1~5							

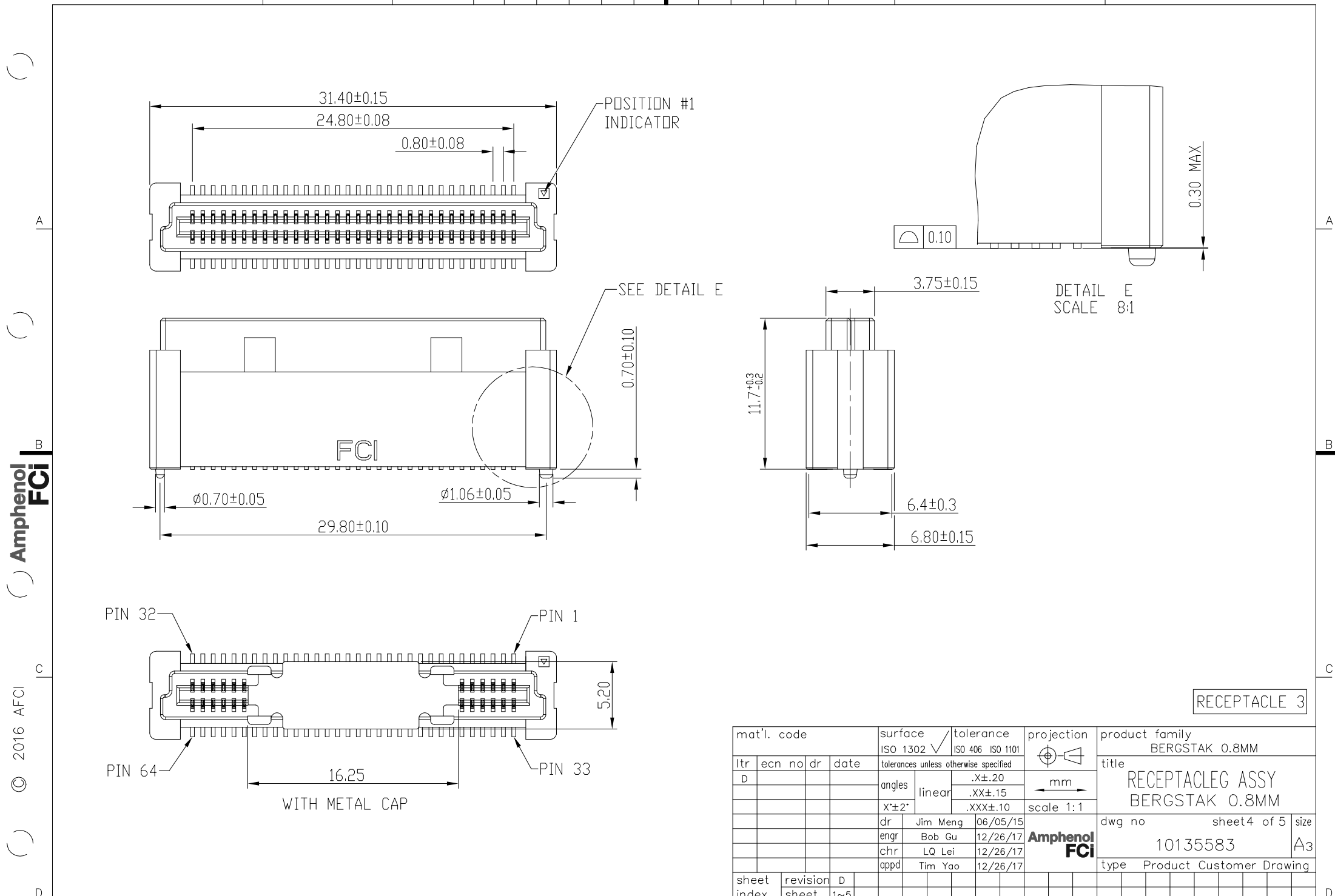


DETAIL E  
SCALE 8:1



RECEPTACLE 2

mat'l. code		surface ISO 1302 ✓		tolerance ISO 406 ISO 1101		projection mm		product family BERGSTAK 0.8MM		
ltr	ecn no	dr	date	tolerances unless otherwise specified		mm		title RECEPTACLE ASSY BERGSTAK 0.8MM		
D				angles	linear	scale 1:1		dwg no 10135583		
				x'±2'				sheet 3 of 5 size A3		
				dr	Jim Meng	06/05/15	Amphenol FCI		type Product Customer Drawing	
				enr	Bob Gu	12/26/17				
				chr	LQ Lei	12/26/17				
				appd	Tim Yao	12/26/17				
sheet index	revision sheet	D	1~5							

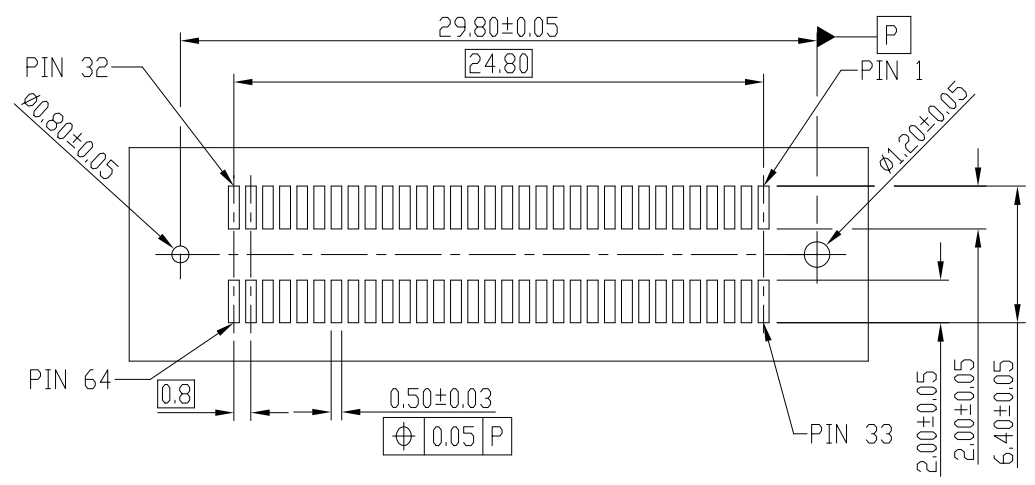


Amphenol  
FCI

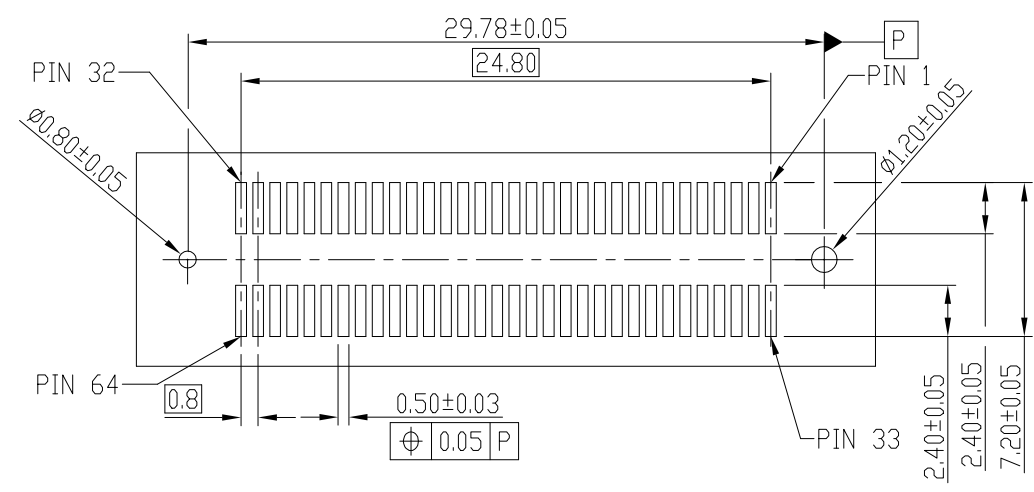
© 2016 AFCI

RECEPTACLE 3

mat'l. code		surface ISO 1302 ✓		tolerance ISO 406 ISO 1101		projection mm		product family BERGSTAK 0.8MM		
ltr	ecn no	dr	date	tolerances unless otherwise specified		mm		title RECEPTACLE ASSY BERGSTAK 0.8MM		
D				angles	linear	scale 1:1		dwg no 10135583		
				$X \pm 2'$				sheet 4 of 5 size A3		
				dr	Jim Meng	06/05/15	Amphenol FCI		type Product Customer Drawing	
				enr	Bob Gu	12/26/17				
				chr	LQ Lei	12/26/17				
				appd	Tim Yao	12/26/17				
sheet index	revision sheet	D	1~5							



RECOMMENDED PCB LAYOUT WITH PEGS  
FOR RECEP 1



RECOMMENDED PCB LAYOUT WITH PEGS  
FOR RECEP 2&3

Amphenol  
FCI

© 2016 AFCI

mat'l. code		surface ISO 1302 ✓		tolerance ISO 406 ISO 1101		projection ⊕		product family BERGSTAK 0.8MM				
ltr	ecn no	dr	date	tolerances unless otherwise specified				title RECEPTACLE ASSY BERGSTAK 0.8MM				
D				angles	linear	.X±.20		mm ←		sheet 5 of 5		
				X±2'		.XX±.15				size A3		
						.XXX±.10		scale 1:1		sheet 5 of 5		
		dr	Jim Meng	06/05/15	Amphenol FCI		type Product Customer Drawing		sheet 5 of 5			
		enr	Bob Gu	12/26/17					10135583		size A3	
		chr	LQ Lei	12/26/17								
		appd	Tim Yao	12/26/17								
sheet index	revision sheet	D	1~5									