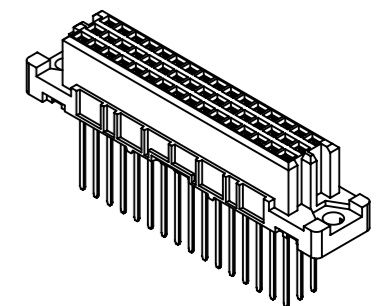
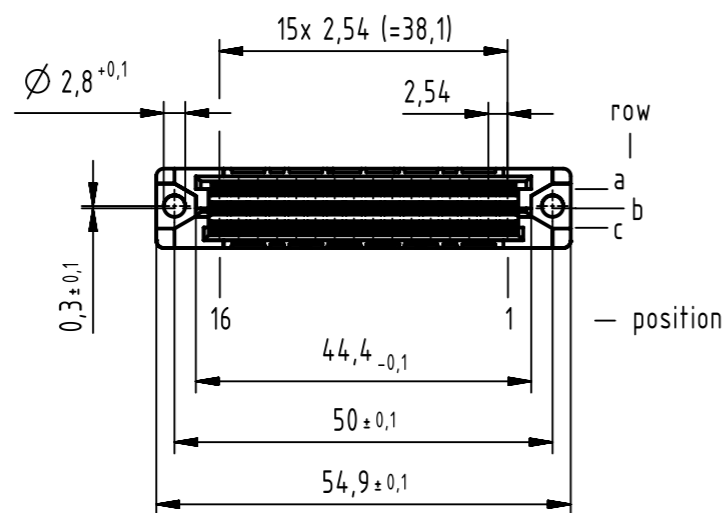
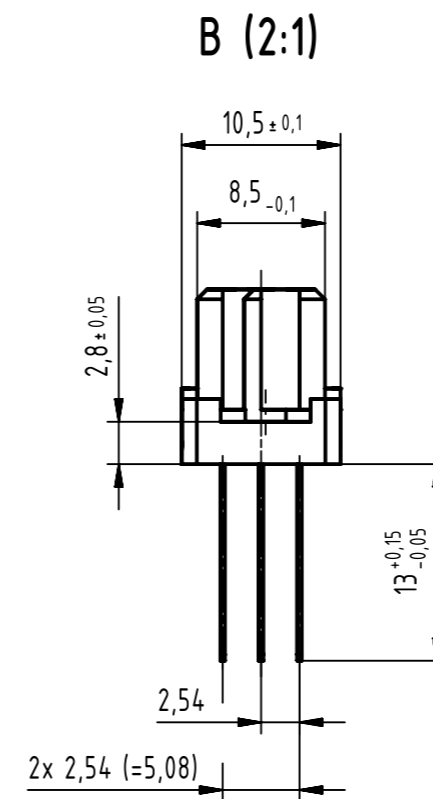
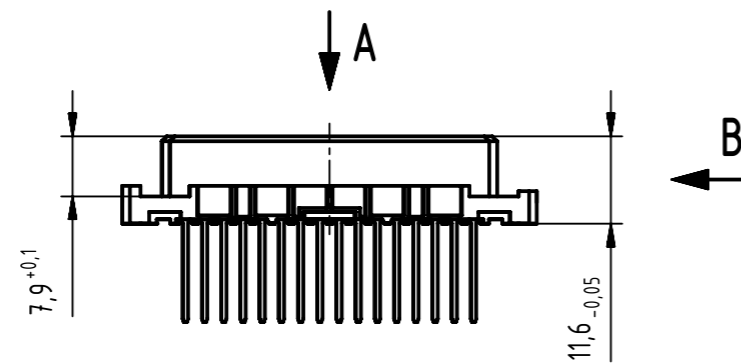


48 solder contacts

☒ = position with contact

☐ = position without contact



① further information see: DS 09032100001

09 23 248 6421	2
part-no	performance level ①

	All Dimensions in mm Original Size DIN A3	Scale 1:1	Free size tol. IEC 60603-2	Ref. Sub. TB 0923248X421 / Mod.32850 / 13.07.05		
	All rights reserved Department EC PD - DE	Created by ZWAHR	Inspected by LEHNERT	Standardisation HOFFMANN	Date 2014-12-17	State Final Release
HARTING Electronics GmbH D-32339 Espelkamp		Title DIN Signal type 2C female solder 13.0			Doc-Key / ECM-Nr. 100181948/UGD/090/C 50000082116	
		Type TB	Number 0923248X421		Rev. C	Page 1/1