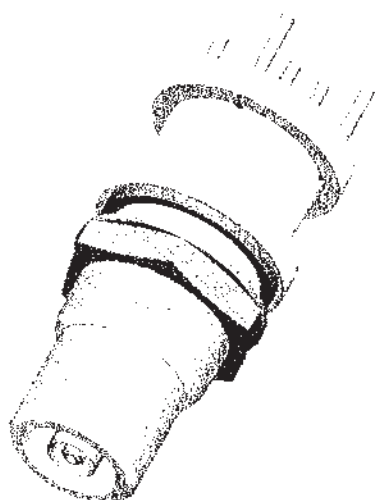
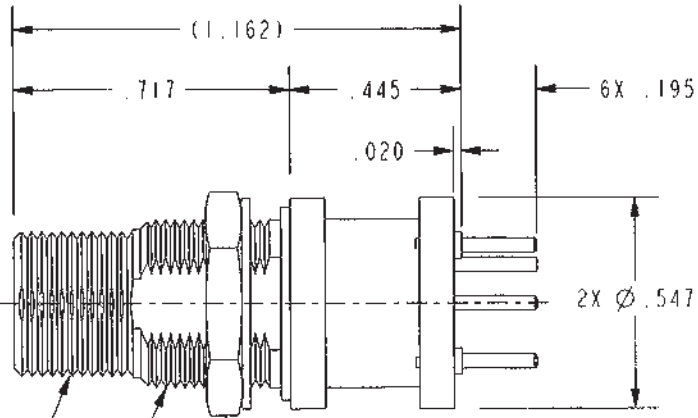
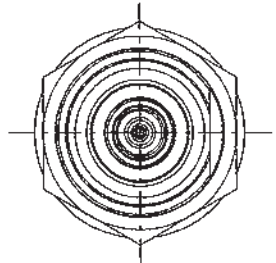


DATA CONTAINED IN THIS DOCUMENT IS PROPRIETARY TO TROMPETER ELECTRONICS INC AND SHALL NOT BE DISCLOSED, COPIED OR USED FOR PROCUREMENT OR MANUFACTURE WITHOUT EXPRESS WRITTEN PERMISSION.

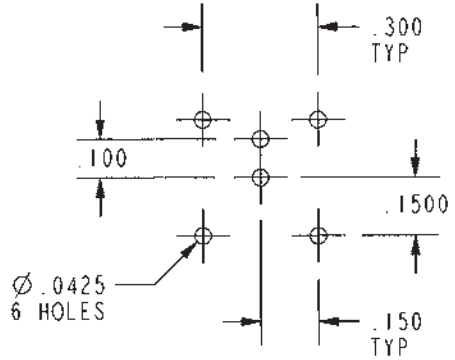
| REVISIONS |                 |         |           |
|-----------|-----------------|---------|-----------|
| REV       | DESCRIPTIONS    | DATE    | APPROVED  |
| B         | SEE ECO # 16337 | 6-12-07 | (D.Rambo) |



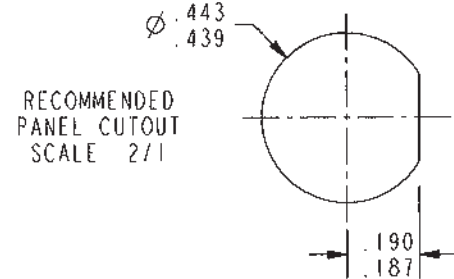
RED INDICATES ORIGINAL



.375-32UNEF-2A  
 .4375-28UNEF-2A  
 .500 HEX NUT




RECOMMENDED MTG HOLE PATTERN SCALE 2/1



RECOMMENDED PANEL CUTOUT SCALE 2/1

3. MAX PANEL THICKNESS .250
2. FINISH-  
 BODY: TFS-1A (NICKEL)  
 CONDUCTORS: TFS-1B (GOLD)  
 LEGS: TFS-1T (TIN 90/10)
1. SUBMINIATURE TRS REAR MOUNT PC BOARD BULKHEAD RECEPTACLE

NOTES: UNLESS OTHERWISE SPECIFIED.

|  |                       |  |                |   |                  |
|--|-----------------------|--|----------------|---|------------------|
| INTERPRET DRAWING PER MIL-STD-100. DIMENSIONS ARE IN INCHES AND INCLUDE FINISH THICKNESS UNLESS OTHERWISE SPECIFIED. |                       | TOL: UNLESS SPECIFIED.<br>.XX ± .02<br>.XXX ± .010<br>ANGLE ± 1° |                | <br>a cinch connectivity solutions brand |                  |
| DRW: J. CARPENTER  | 03-20-07              | MATERIAL:  |                |   |                  |
| CHK: [Signature]   | 6/8/07                | FINISH: SEE NOTE 2   |                | SIZE: A   | CAGE CODE: 14949 |
| APPROVED: [Signature]  | 6/11/07               | DO NOT SCALE DWG   |                | DRAWING NO.: 3-0317   | REV.: B          |
| NEXT ASSY:   | PROJ FILE NO.: 3-0317 | SCALE: 2/1   | DATE: 10-27-03 | SHEET: 1C   |                  |