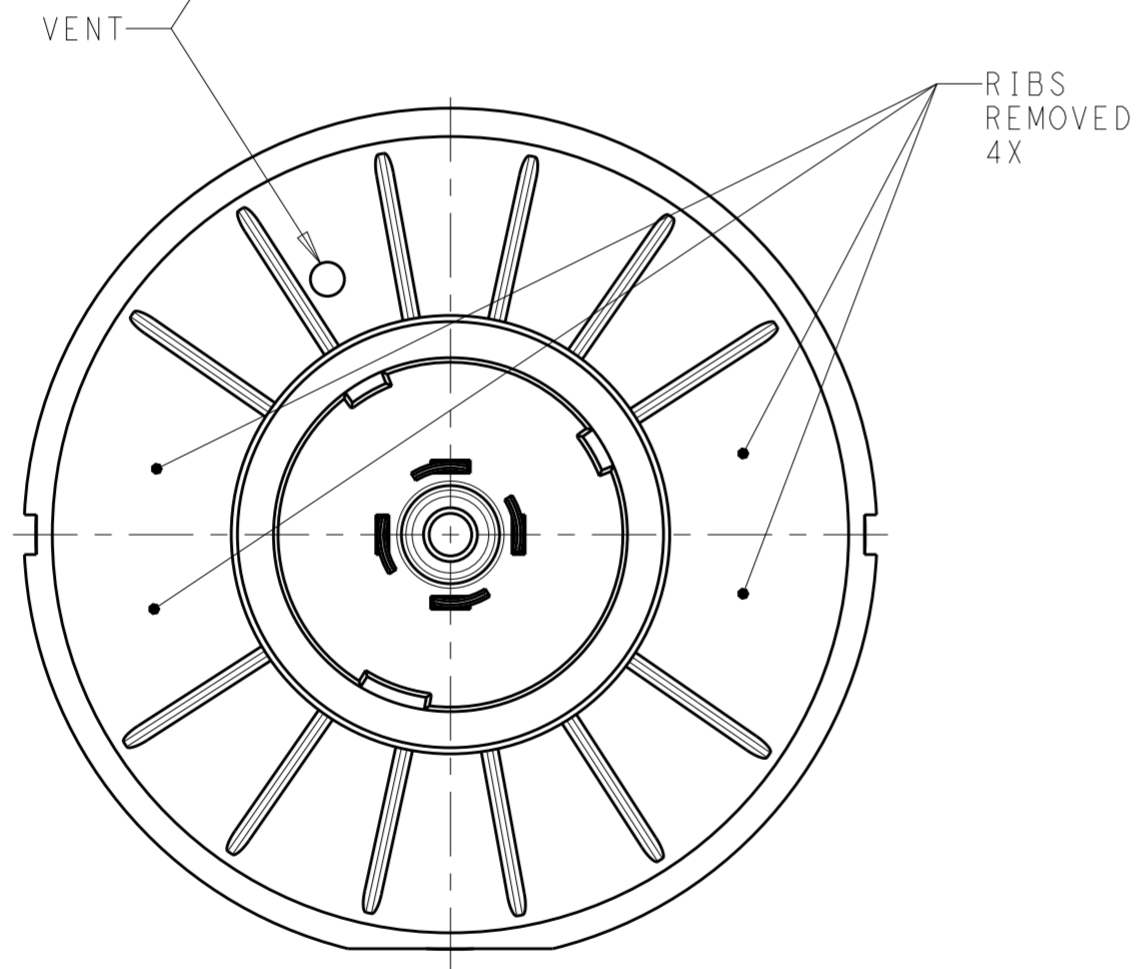
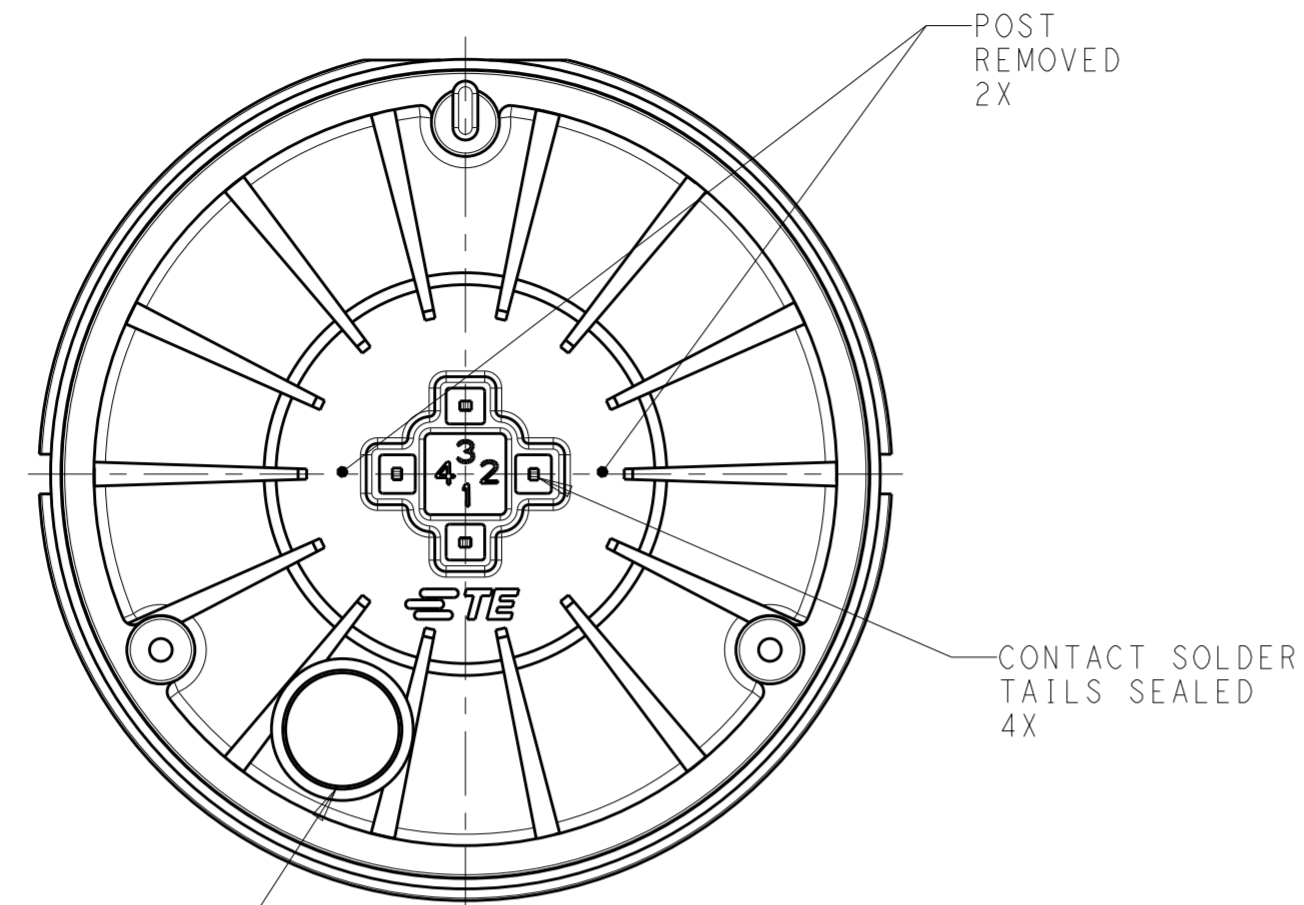
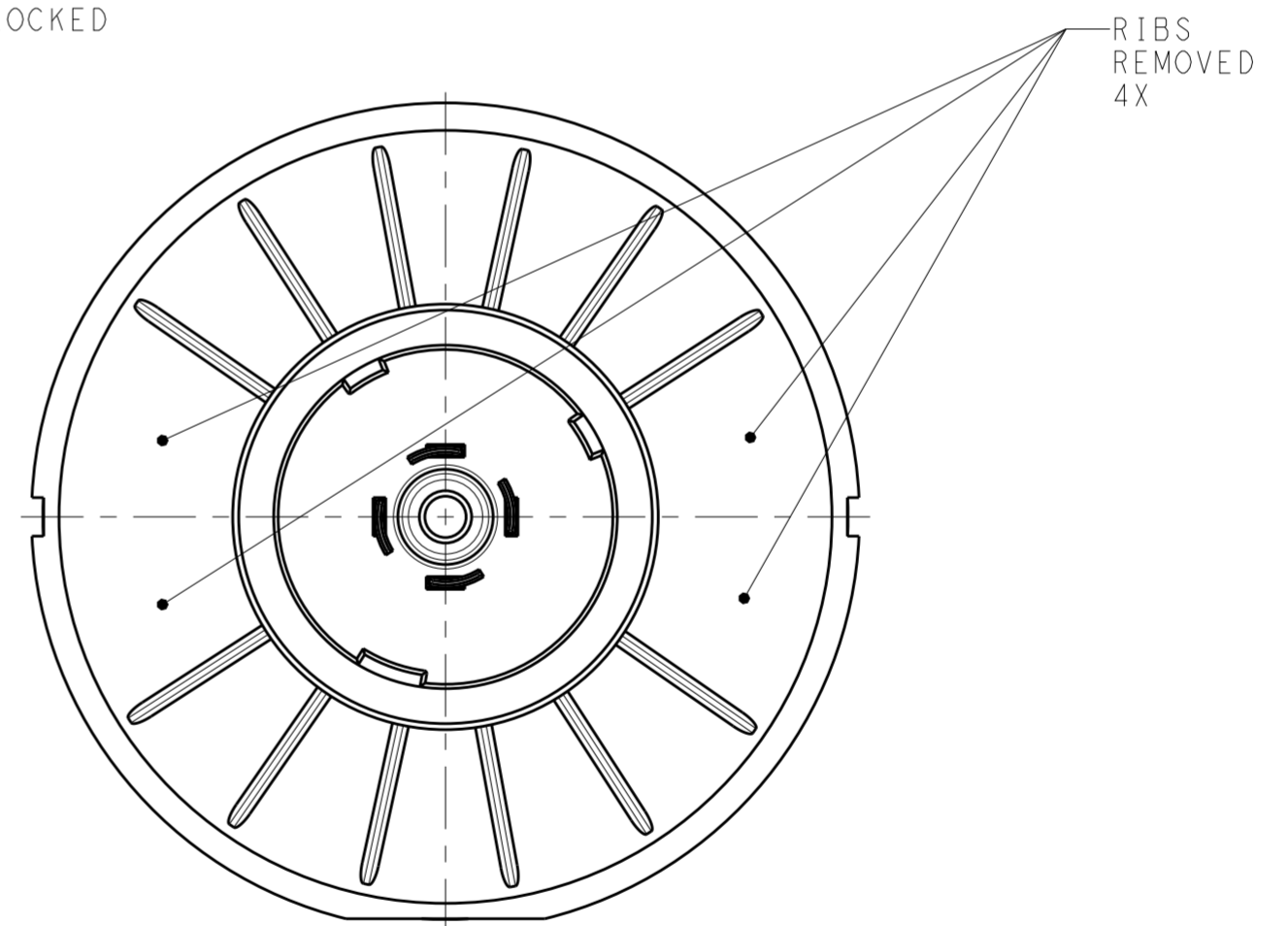
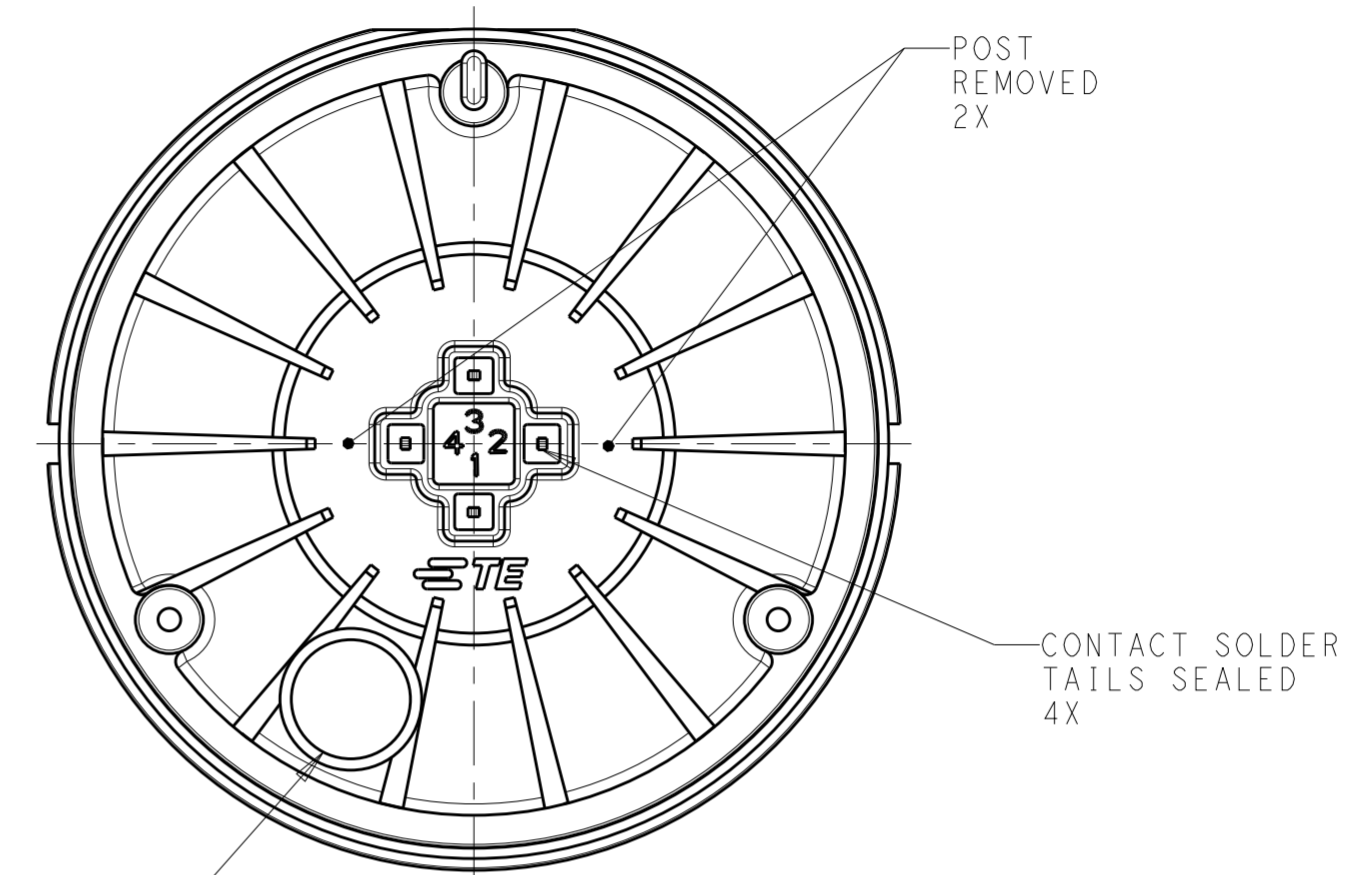


THIS DRAWING IS UNPUBLISHED. RELEASED FOR PUBLICATION 20
 © COPYRIGHT 20 BY - ALL RIGHTS RESERVED.

REVISIONS				
P	LTR	DESCRIPTION	DATE	APVD
-		SEE SHEET 1	-	-



2213831-2 SHOWN
 SAME AS
 2213831-1 EXCEPT AS SHOWN



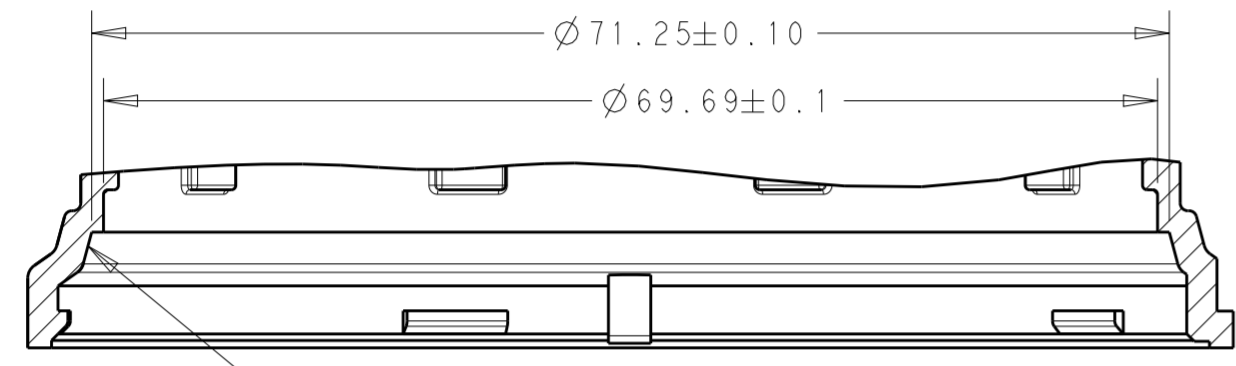
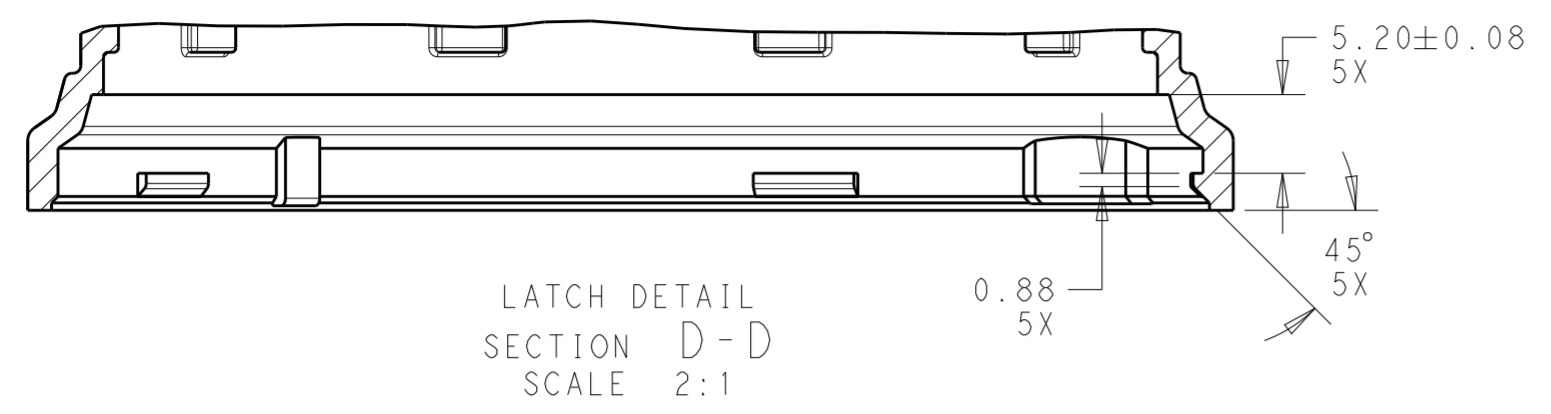
2213831-3 SHOWN
 SAME AS
 2213831-1 EXCEPT AS SHOWN

**NEW PRODUCT
 PRELIMINARY
 IN DEVELOPMENT**

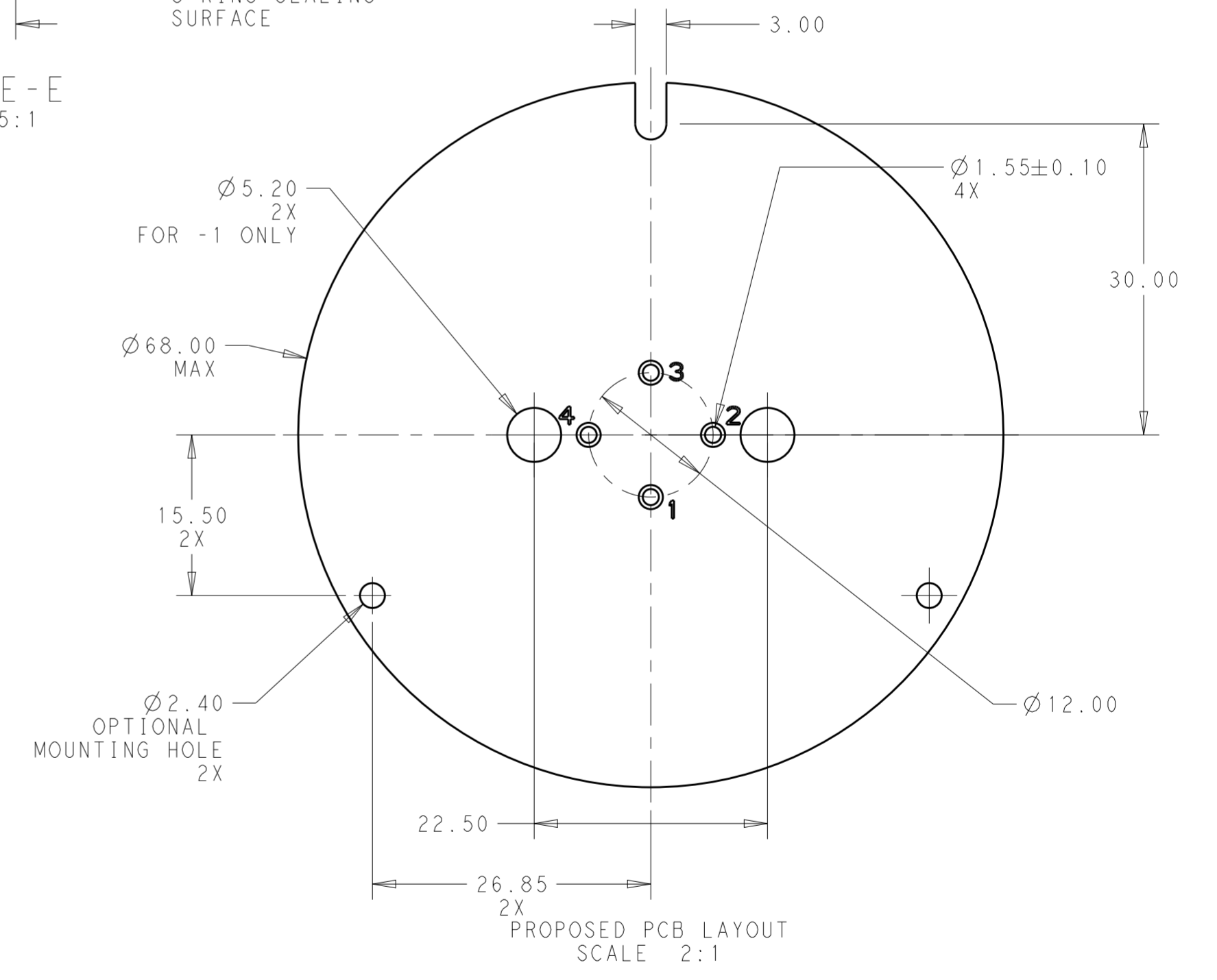
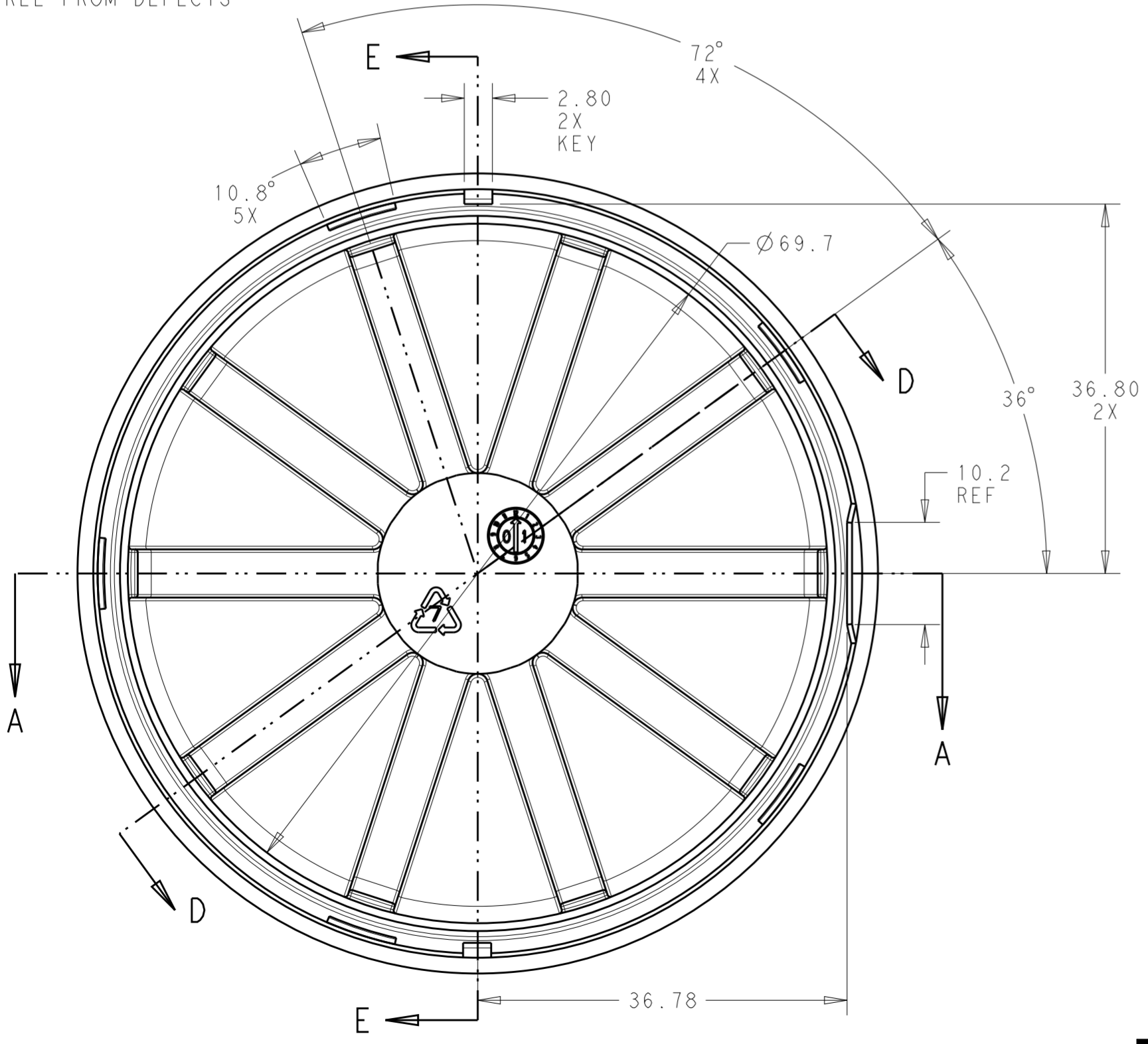
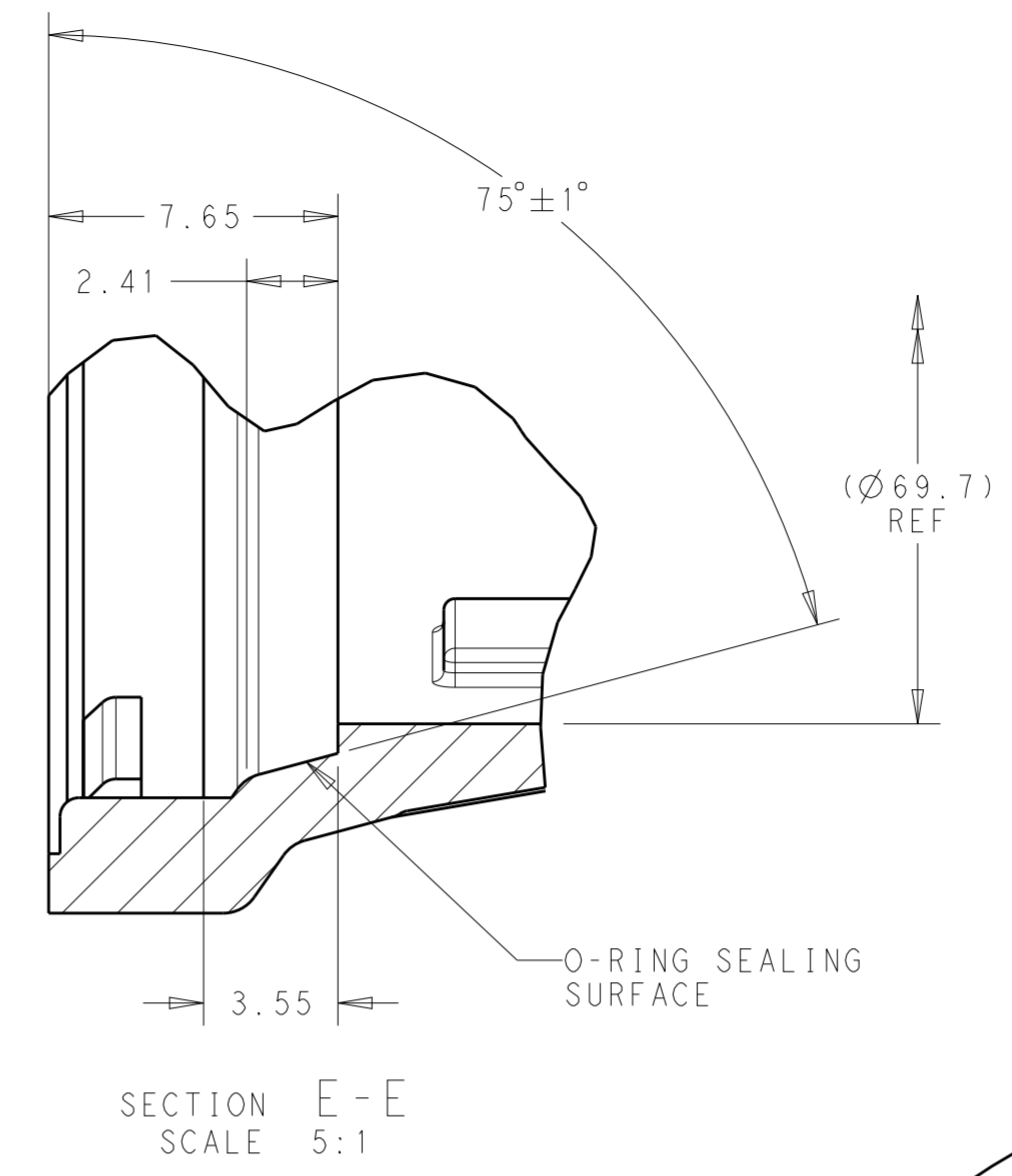
THIS DRAWING IS A CONTROLLED DOCUMENT.		DWN C. DAILY 05APR2016	STE TE Connectivity															
		CHK E. HOWARD 05APR2016																
DIMENSIONS: mm		TOLERANCES UNLESS OTHERWISE SPECIFIED:		NAME MODULE BASE ASSEMBLY, LUMAWISE ENDURANCE S 80mm DIAMETER														
<table border="1"> <tr><td>0 PLC</td><td>±</td></tr> <tr><td>1 PLC</td><td>±0.2</td></tr> <tr><td>2 PLC</td><td>±0.15</td></tr> <tr><td>3 PLC</td><td>±</td></tr> <tr><td>4 PLC</td><td>±</td></tr> <tr><td>ANGLES</td><td>±1</td></tr> <tr><td>FINISH</td><td>-</td></tr> </table>		0 PLC	±	1 PLC	±0.2	2 PLC	±0.15	3 PLC	±	4 PLC	±	ANGLES	±1	FINISH	-	APVD -	PRODUCT SPEC 108-133073	SIZE A2
0 PLC	±																	
1 PLC	±0.2																	
2 PLC	±0.15																	
3 PLC	±																	
4 PLC	±																	
ANGLES	±1																	
FINISH	-																	
MATERIAL - SEE NOTES		APPLICATION SPEC 114-133074	WEIGHT -	CAGE CODE -														
		CUSTOMER DRAWING	SCALE 2:1	DRAWING NO G-2213831														
			SHEET 2 OF 3	RESTRICTED TO -														
			REV 10															

THIS DRAWING IS UNPUBLISHED. RELEASED FOR PUBLICATION 20
 © COPYRIGHT 20 BY - ALL RIGHTS RESERVED.

REVISIONS				
P	LTR	DESCRIPTION	DATE	APVD
-	-	SEE SHEET 1	-	-



O-RING SEALING SURFACE;
MUST BE SMOOTH AND
FREE FROM DEFECTS



**NEW PRODUCT
PRELIMINARY
IN DEVELOPMENT**

THIS DRAWING IS A CONTROLLED DOCUMENT.		DWN C. DAILY 05APR2016	STE TE Connectivity	
		CHK E. HOWARD 05APR2016		
DIMENSIONS: mm	TOLERANCES UNLESS OTHERWISE SPECIFIED:	APVD -	NAME MODULE BASE ASSEMBLY, LUMAWISE ENDURANCE S 80mm DIAMETER	RESTRICTED TO
	0 PLC ±	PRODUCT SPEC 108-133073	SIZE A2	
	1 PLC ±0.2	APPLICATION SPEC 114-133074	CAGE CODE -	DRAWING NO C-2213831
	2 PLC ±0.15	WEIGHT -	SCALE 2:1	SHEET 3 OF 3
	3 PLC ±	CUSTOMER DRAWING		REV 10
	4 PLC ±			
MATERIAL - SEE NOTES	ANGLES ±1			
	FINISH -			