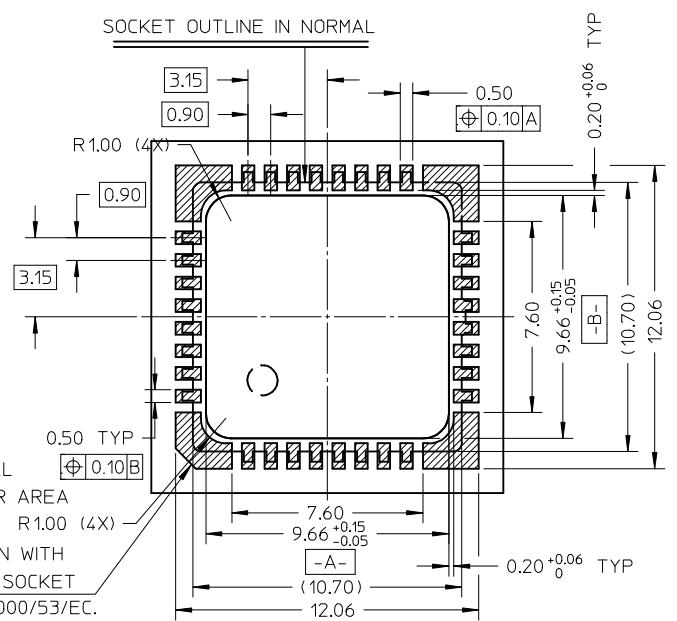
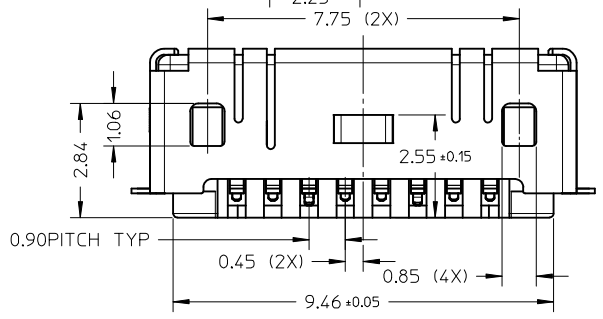
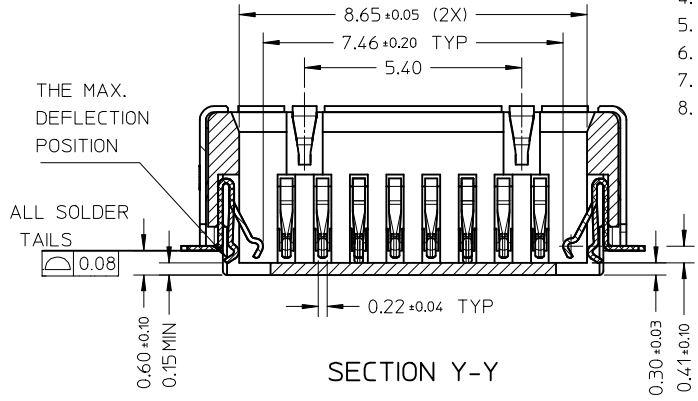


NOTES:

- MATERIALS  
HOUSING: HIGH TEMPERATURE PLASTICS, BLACK, UL94 V-0  
TERMINAL: COPPER ALLOY.  
SHELL: COPPER ALLOY.
- FINISH  
TERMINAL: 2-4 MICROMETER NICKEL UNDERPLATING OVERALL, GOLD PLATING 0.3 MICROMETER ON CONTACT AREA, GOLD FLASH PLATING ON SOLDER AREA.  
SHELL: 1.27 MICROMETER MIN NICKEL UNDERPLATING OVERALL 1.5 MICROMETER MIN MATTE TIN PLATING ON SOLDER AREA
- PRODUCT SPECIFICATION: PS-105028-001.
- PACKAGING: TAPE&REEL.DETAIL SEE PK-105028-201. C0.8 ALIGN WITH HOLE ON SOCKET
- APPLICABLE CAMERA MODULE SEE SHEET 2.
- MUST BE COMPLIANT TO RoHS DIRECTIVE 2002/95/EC AND ELV 2000/53/EC.
- DATE CODE CONTAIN: YMMDDLH(YEAR-MONTH-DAY-LINE-HOUR OR SHIFT).
- A SUPPORTING MECHANISM IS NEEDED UNDER THE SOCKET.

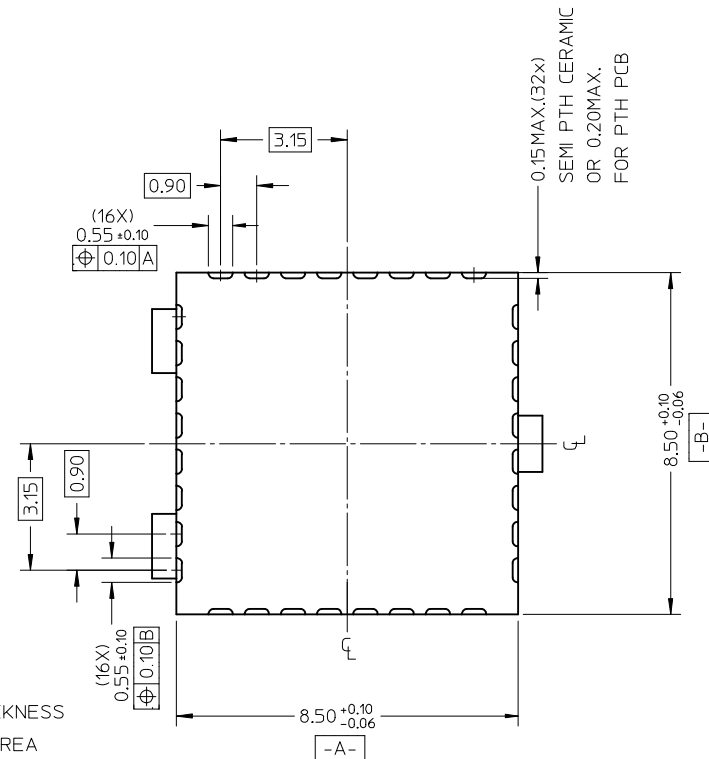
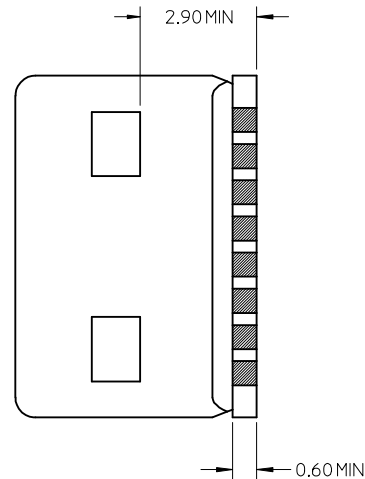
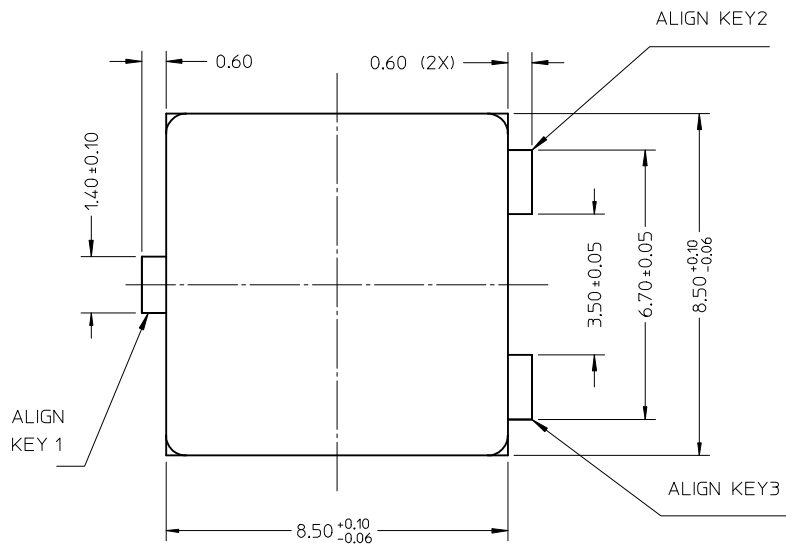


RECOMMEND PCB LAYOUT TOLERANCE ± 0.05, THICKNESS: 0.70mm MIN. SCALE 5:1



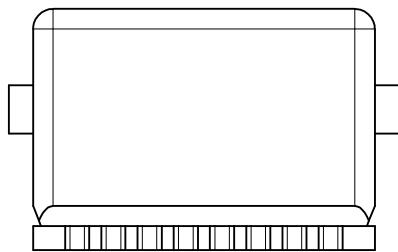
RELEASED EC NO: SH2015-0050 DRWN: JHUO 2014/07/31 CHKD: APPR: AYIN 2014/08/07 REV	QUALITY SYMBOLS	GENERAL TOLERANCES (UNLESS SPECIFIED)		DIMENSION STYLE		SCALE	DESIGN UNITS	THIRD ANGLE PROJECTION	
	▽ = 0	mm	INCH	MM ONLY		8:1	METRIC	TITLE	
	▽ = 0	4 PLACES ± --- ± ---	3 PLACES ± --- ± ---	DRAWN BY	DATE	8.5X8.5 CAMERA SOCKET			
	▽ = 0	2 PLACES ± 0.10 ± ---	1 PLACE ± 0.15 ± ---	CHECKED BY	DATE	SINK TYPE CONNECTOR			
	ANGULAR ± 3 °			APPROVED BY	DATE	SELECTIVE TIN ON SHELL			
		DRAFT WHERE APPLICABLE MUST REMAIN WITHIN DIMENSIONS		MATERIAL NO.	DOCUMENT NO.	molex			
				1050282031	SD-105028-231	SHEET NO. 1 OF 2			
				THIS DRAWING CONTAINS INFORMATION THAT IS PROPRIETARY TO MOLEX INCORPORATED AND SHOULD NOT BE USED WITHOUT WRITTEN PERMISSION					

# APPLIED CAMERA MODULE



SEMI PTH THICKNESS  
IN CONTACT AREA  
OR 0.50MIN  
PTH THICKNESS IN  
CONTACT AREA

NOTES:  
ALIGN KEYS ARE OPTION BY CUSTOMER.



<b>RELEASE</b> EC NO: SH2015-0050 DRAWN: WJHUO 2014/07/31 CHKD: APPR: AYIN 2014/08/07	DESCRIPTION REV	QUALITY SYMBOLS	GENERAL TOLERANCES (UNLESS SPECIFIED)		DIMENSION STYLE <b>MM ONLY</b>		SCALE <b>8:1</b>	DESIGN UNITS <b>METRIC</b>	THIRD ANGLE PROJECTION	
		$\nabla_A = 0$	mm	INCH	DRAWN BY WJHUO	DATE 2014/03/12	TITLE <b>8.5X8.5 CAMERA SOCKET SINK TYPE CONNECTOR SELECTIVE TIN ON SHELL</b>			
		$\nabla_C = 0$	4 PLACES $\pm$ ---	$\pm$ ---	CHECKED BY	DATE	<b>molex</b> DOCUMENT NO. SD-105028-231 SHEET NO. 2 OF 2			
		$\nabla_P = 0$	3 PLACES $\pm$ ---	$\pm$ ---	APPROVED BY AYIN	DATE 2014/03/27				
DRAFT WHERE APPLICABLE MUST REMAIN WITHIN DIMENSIONS		2 PLACES $\pm 0.10$	$\pm$ ---	MATERIAL NO. <b>N/A</b>						
		1 PLACE $\pm 0.15$	$\pm$ ---	SIZE <b>A3</b>		THIS DRAWING CONTAINS INFORMATION THAT IS PROPRIETARY TO MOLEX INCORPORATED AND SHOULD NOT BE USED WITHOUT WRITTEN PERMISSION				
		ANGULAR $\pm 3^\circ$								