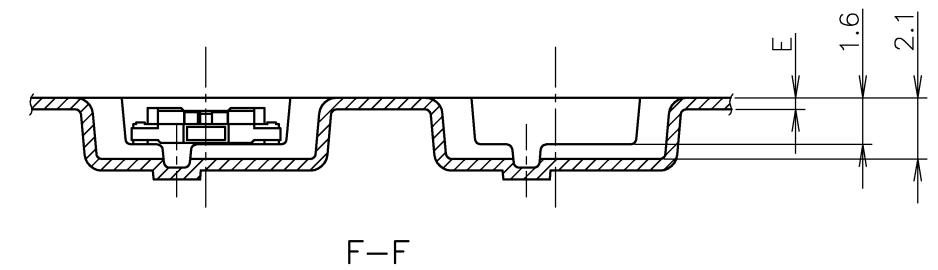
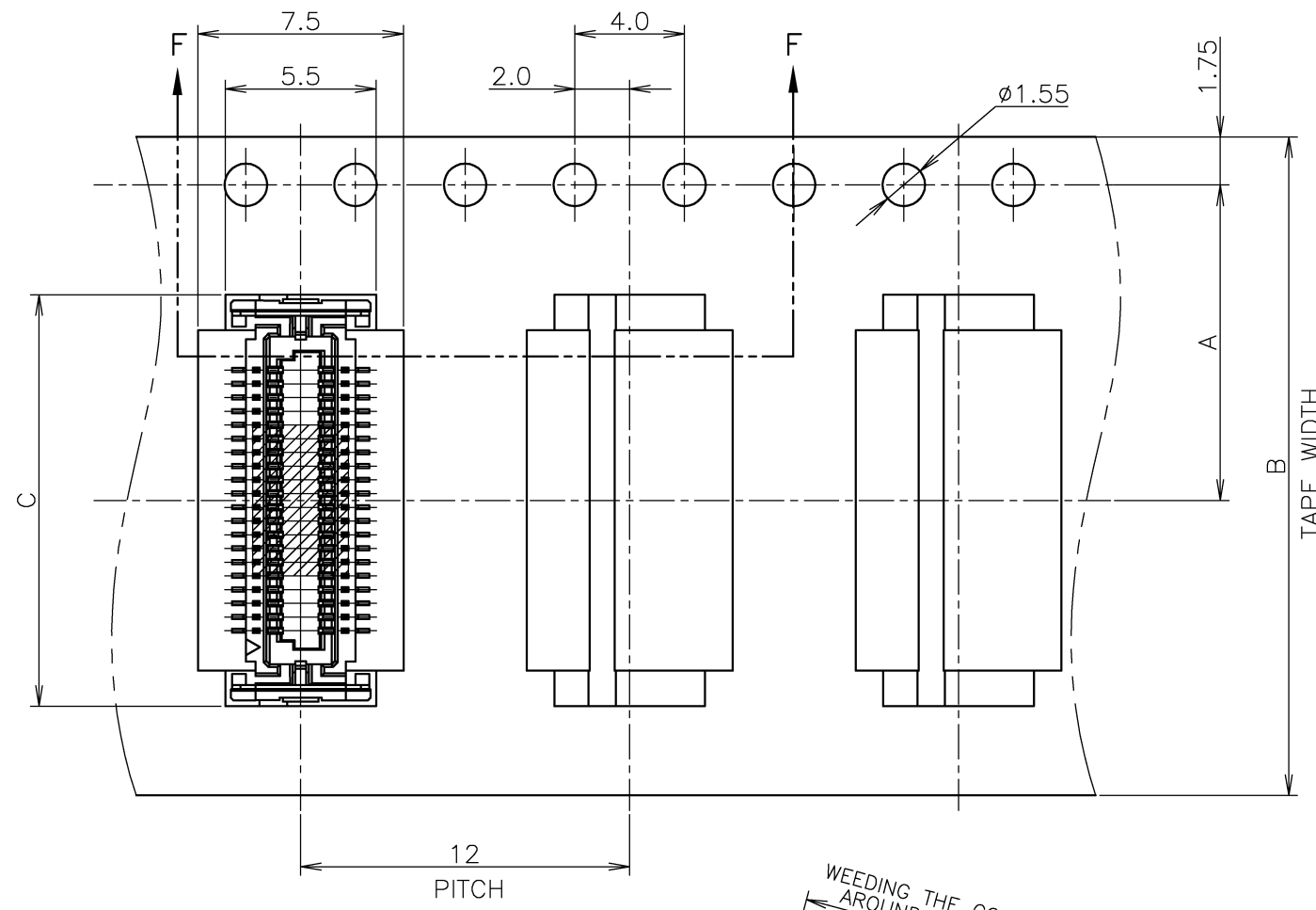


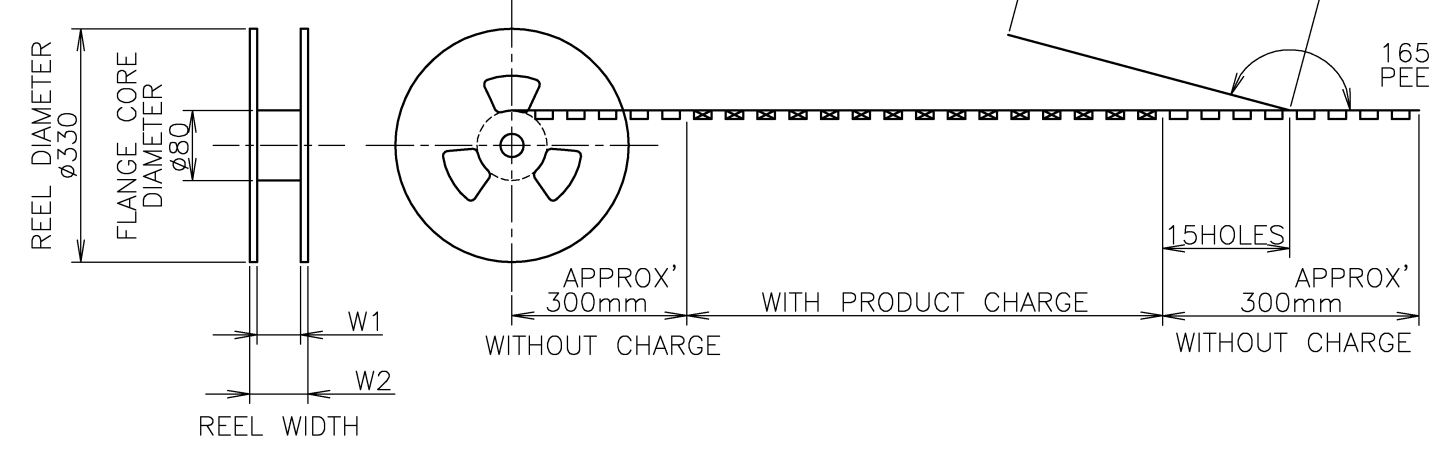
THIS DRAWING IS UNPUBLISHED. RELEASED FOR PUBLICATION NOV ,2004.
 © COPYRIGHT 2004 BY TYCO ELECTRONICS CORPORATION. ALL RIGHTS RESERVED.

LOC	DIST	REVISIONS					
J		P	LTR	DESCRIPTION	DATE	DWN	APVD
		B		REVISED	04NOV2008	Y.N	T.F



TOP OF REEL
 →

WEEDING THE COVER TAPE AROUND THE OUTER PERIPHERY IN A TURN.
 165°~180° PEELING ANGLE.



28.4	24.4	0.4	15.0	24	11.5	1500	40	4-5353512-5
28.4	24.4	0.4	15.0	24	11.5	1500	40	4-5353512-0
28.4	24.4	0.4	12.5	24	11.5	1500	30	3-5353512-0
28.4	24.4	0.4	10.0	24	11.5	1500	20	2-5353512-0

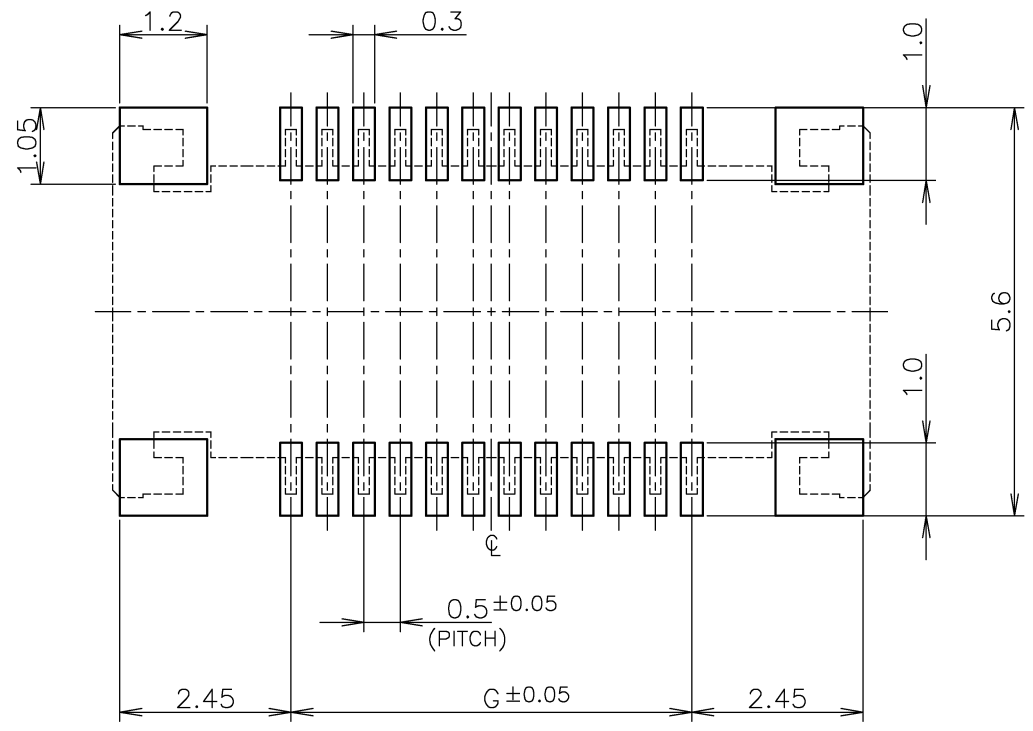
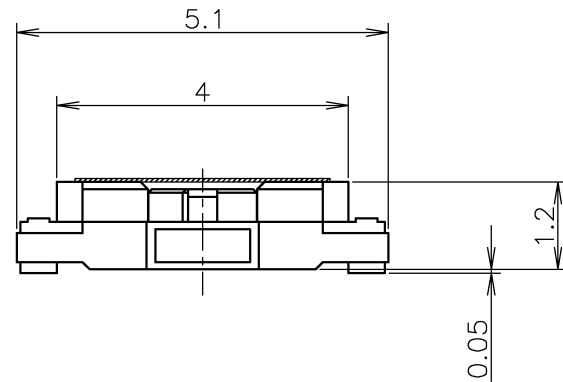
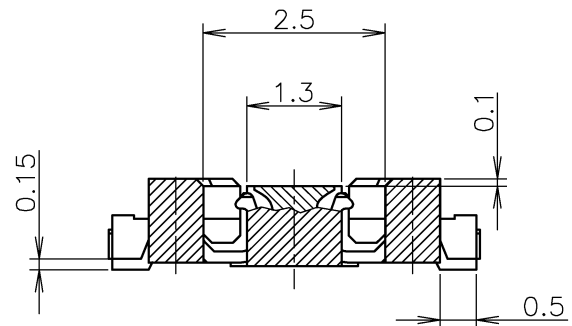
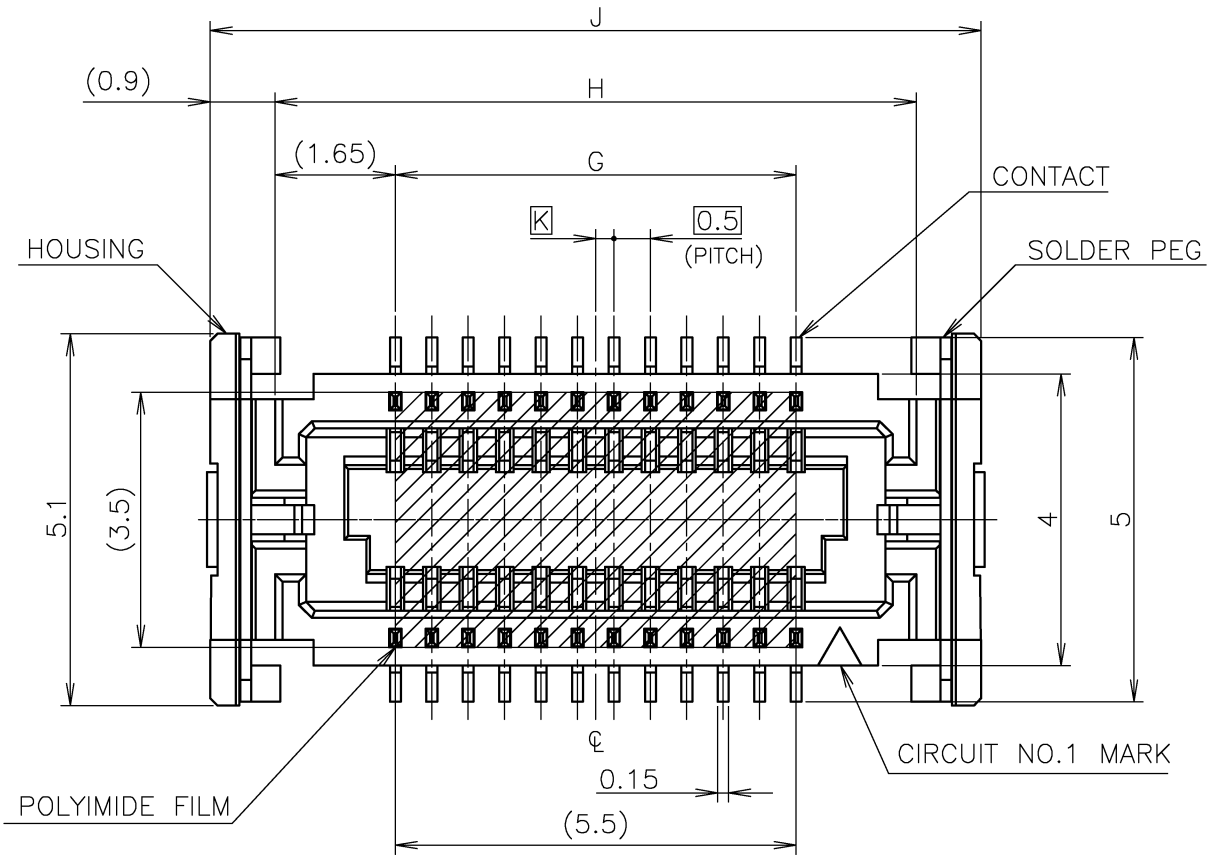
INSTRUCTION SHEET 411-5781	W2	W1	E	C	B	A	QTY/REEL	POS	TAPING P/N
-------------------------------	----	----	---	---	---	---	----------	-----	------------

THIS DRAWING IS A CONTROLLED DOCUMENT.

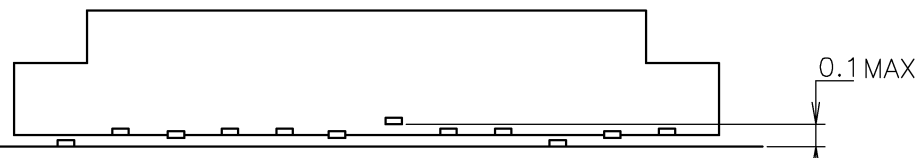
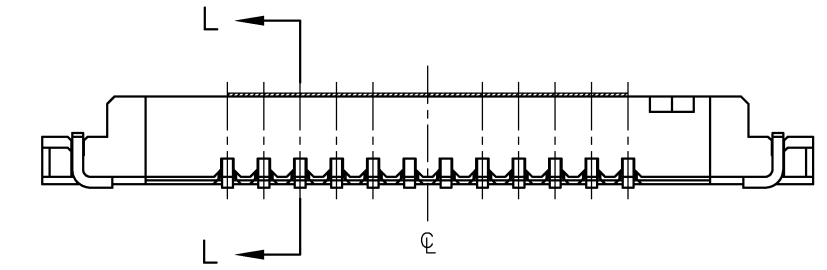
DIMENSIONS: 単位: 精 mm	TOLERANCES UNLESS OTHERWISE SPECIFIED: 一般公差	DWN JULYEE ZHU 09NOV2004	Tyco Electronics Corporation Kawasaki, Japan	
	0 PLC ± 0.2	CHK STEVEN YAO 09NOV2004	NAME ON TAPING EMBOSS	
	1 PLC ± 0.2	APVD I.ENOMOTO 09NOV2004	PRODUCT SPEC 製品規格 108-60048	
	2 PLC ± 0.2	APPLICATION SPEC 取付適用規格		
	3 PLC ± 0.2	SIZE A3	CAGE CODE 00779	DRAWING NO C-5353512
	4 PLC ± 0.2	RESTRICTED TO		
	ANGLES ± 0.2	SCALE 4:1 SHEET 1 OF 2 REV B		
MATERIAL 材料	FINISH 仕上	CUSTOMER DRAWING		

THIS DRAWING IS UNPUBLISHED. RELEASED FOR PUBLICATION NOV ,2004.
 © COPYRIGHT 2004 BY TYCO ELECTRONICS CORPORATION. ALL RIGHTS RESERVED.

LOC	DIST	REVISIONS					
J		P	LTR	DESCRIPTION	DATE	DWN	APVD
		-	-	SEE SHEET 1	-	-	-



(T=0.6 MIN.)
P.C. BOARD LAYOUT (REF.)



(COPLANARITY)
MUST BE MEASURED FLOATING AMOUNT OF TINES
AND TAIL PLATES FROM DATUM SURFACE IS 0.1mm MAX.

- 1 MATING COUNTER PART NUMBER: 5353514
- 2 MATERIAL
HOUSING: HIGH HEAT-RESISTED
CONTACT: COPPER ALLOY (t=0.15), Au PLATING.
SOLDER PEG: COPPER ALLOY (t=0.15), TIN PLATING.
- 3 CONTACT: Au PLATING (0.00076mm)

0.25	14.6	12.8	9.5	40	4-5353512-5
0.25	14.6	12.8	9.5	40	4-5353512-0
---	12.1	10.3	7	30	3-5353512-0
0.25	9.6	7.8	4.5	20	2-5353512-0

INSTRUCTION SHEET		DIMENSION				POS.	PART NO.
411-5781		K	J	H	G		
DWN		Tyco Electronics Corporation Kawasaki, Japan					
CHK		ON TAPING EMBOSS 0.5mm PITCH FS CONN. RECEPTACLE ASSEMBLY WITH KEY & WITHOUT BOSS					
APVD		SIZE	CAGE CODE	DRAWING NO	RESTRICTED TO		
PRODUCT SPEC		A3	00779	G-5353512			
APPLICATION SPEC		SCALE		SHEET	REV		
WEIGHT		10:1		2 OF 2	B		
CUSTOMER DRAWING							

DIMENSIONS:		TOLERANCES UNLESS OTHERWISE SPECIFIED:	
単位: 精	mm	一般公差	
0 PLC		± 0.2	
1 PLC		± 0.2	
2 PLC		± 0.2	
3 PLC		± 0.2	
4 PLC		± 0.2	
ANGLES		± 3°	
MATERIAL	FINISH		
材料	仕上		