

THIS DRAWING IS UNPUBLISHED.

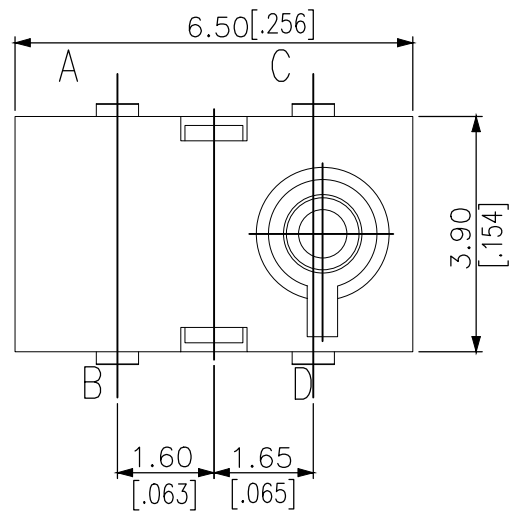
RELEASED FOR PUBLICATION

REVISIONS

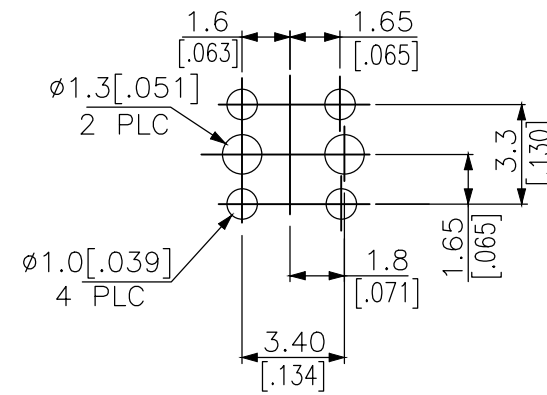
© COPYRIGHT - TE Connectivity Ltd.

ALL RIGHTS RESERVED.

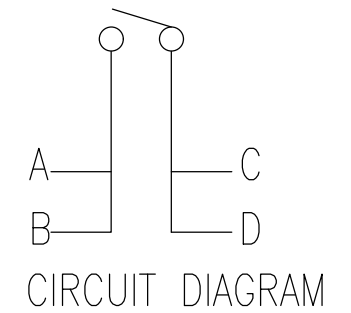
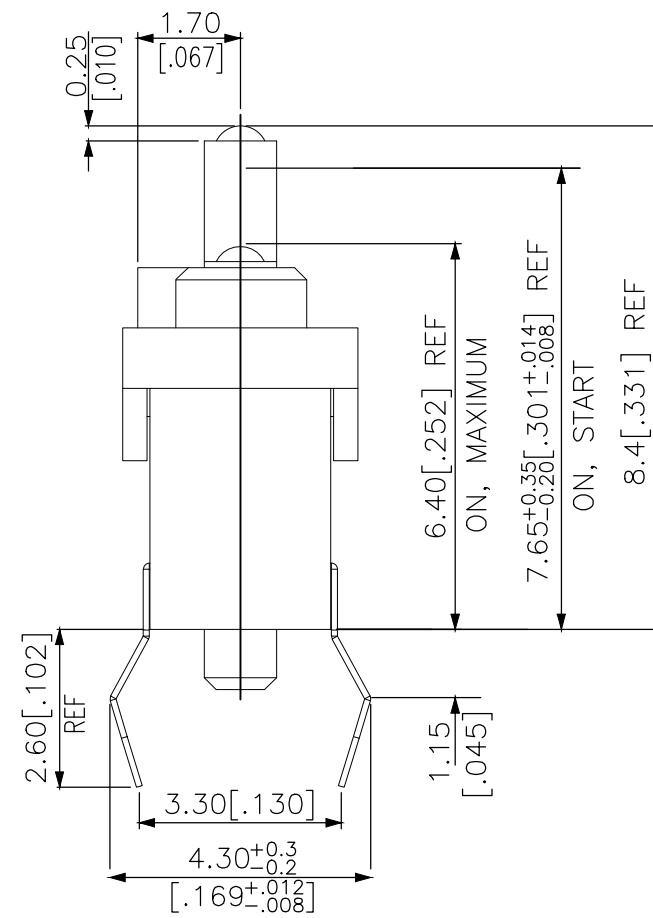
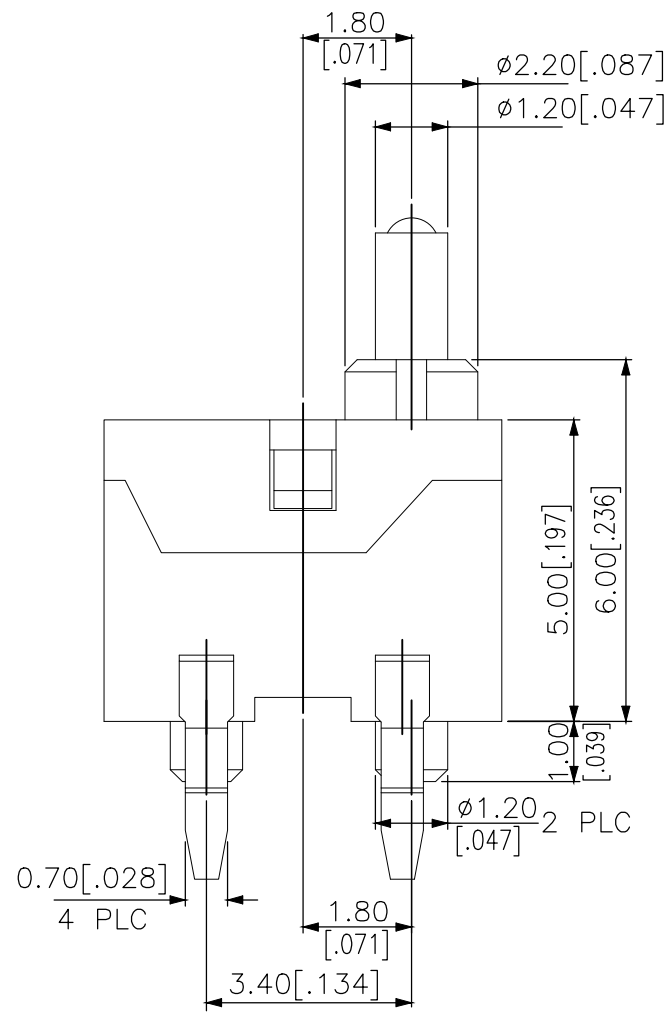
P	LTR	DESCRIPTION	DATE	DWN	APVD
	A	ECR-18-012767	14AUG2018	DHC	AS



2331397-1 AS SHOWN



P.C.B. LAYOUT



THIS DRAWING IS A CONTROLLED DOCUMENT.

DWN GANESH C M 03MAY2018

CHK ALEXANDER SHARPE 03MAY2018

APVD ALEXANDER SHARPE 03MAY2018

PRODUCT SPEC

APPLICATION SPEC

WEIGHT

CUSTOMER DRAWING



TE Connectivity Ltd.

NAME SWITCH, DETECTOR, JVL SERIES, 6.5X3.9mm, VERTICAL, THROUGH HOLE, POSTS, 8.4mm

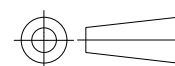
SIZE CAGE CODE DRAWING NO RESTRICTED TO

A3 00779 C-2331397

SCALE NTS SHEET 1 OF 2 REV A

DIMENSIONS: mm [INCHES]

TOLERANCES UNLESS OTHERWISE SPECIFIED:



0 PLC	± -
1 PLC	± -
2 PLC	± 0.20 [.008]
3 PLC	± -
4 PLC	± -
ANGLES	± -
MATERIAL	FINISH

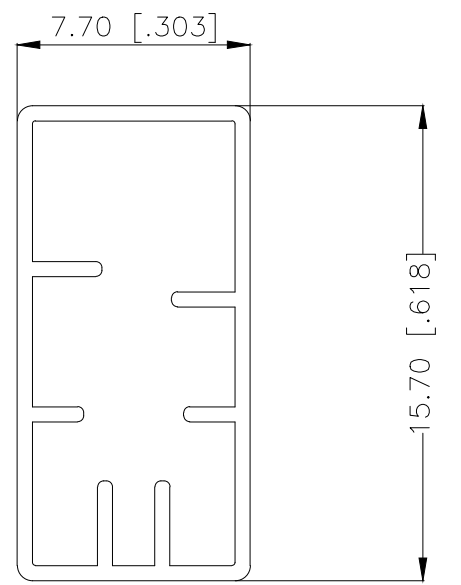
THIS DRAWING IS UNPUBLISHED. RELEASED FOR PUBLICATION
 © COPYRIGHT - TE Connectivity Ltd. ALL RIGHTS RESERVED.

REVISIONS					
P	LTR	DESCRIPTION	DATE	DWN	APVD
-	-	SEE SHEET 1	-	-	-

NOTES:

- MATERIALS**
 ACTUATOR: THERMOPLASTIC, UL 94V-0, BLACK
 BASE: THERMOPLASTIC, UL 94V-0, BLACK
 COVER: THERMOPLASTIC, UL 94V-0, BLACK
 TERMINAL: COPPER ALLOY, SILVER PLATE
 CONTACT: STAINLESS STEEL, SILVER CLAD

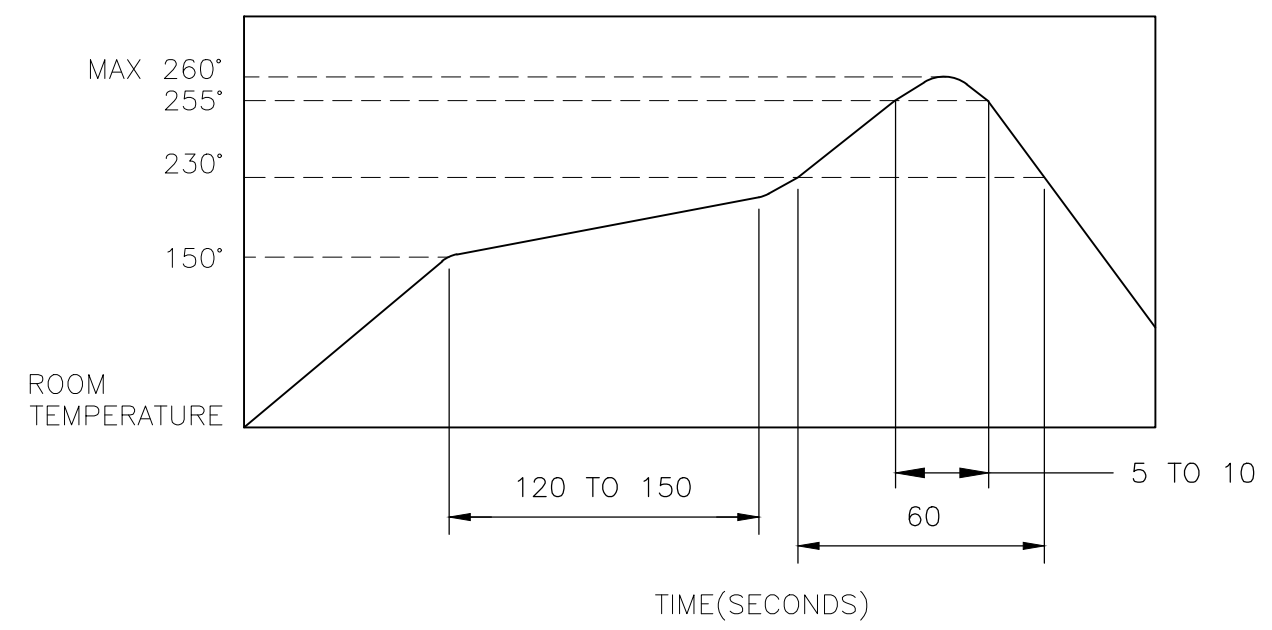
- PACKAGING:** 70 SWITCHES PER TUBE



TUBE LENGTH: 500 [19.68] REF

- COMPLIANCE:**
 ALL MATERIALS AND FINISHES SHALL COMPLY WITH EU DIRECTIVE 2002/95/EC OF 27JAN2003(RoHS)
- SPECIFICATIONS:**
 RATING: 5mA 5V DC
 CONTACT RESISTANCE: 500mΩ MAXIMUM(INITIAL)
 INSULATION RESISTANCE: 100MΩ MINIMUM AT 250V DC
 DIELECTRIC STRENGTH: 250V AC, 1 MINUTE
 OPERATING LIFE: 50,000 CYCLES WITH LOAD
 TOTAL TRAVEL: 2.0 [.079]
 ACTUATION FORCE: 35gf MAXIMUM
 OPERATING TEMPERATURE: -20°C TO 70°C
 STORAGE TEMPERATURE: -30°C TO 80° C

5. SOLDER CONDITIONS:



THE CONDITION MENTIONED ABOVE IS THE TEMPERATURE ON THE CU FOIL OF THE PCB SURFACE. THERE ARE CASES WHERE THE BOARD'S TEMPERATURE GREATLY DIFFERS FROM THE SWITCH'S SURFACE. DO NOT ALLOW SWITCH'S SURFACE TEMPERATURE TO EXCEED 260°C

MANUAL SOLDERING

SOLDERING TEMPERATURE	MAX.350°C.
CONTINUOUS SOLDERING TIME	MAX. 5 SECONDS.

PRECAUTIONS IN HANDLING

- CARE SHOULD BE EXERCISED SO THAT FLUX FROM THE UPPER PART OF THE PRINTED CIRCUIT BOARD DOES NOT ADHERE TO THE SWITCH.

JJLV0UT840NOPPRTB	2331397-1
SMART PART NUMBER	PART NUMBER

THIS DRAWING IS A CONTROLLED DOCUMENT.		DWN GANESH C M 03MAY2018	STE TE Connectivity Ltd.		
DIMENSIONS: mm [INCHES]		CHK ALEXANDER SHARPE 03MAY2018			
TOLERANCES UNLESS OTHERWISE SPECIFIED:		APVD ALEXANDER SHARPE 03MAY2018	NAME SWITCH, DETECTOR, JJL SERIES, 6.5X3.9mm, VERTICAL, THROUGH HOLE, POSTS, 8.4mm		
0 PLC ± -		PRODUCT SPEC -	APPLICATION SPEC -		
1 PLC ± -		WEIGHT -	SIZE A3	CAGE CODE 00779	DRAWING NO C-2331397
2 PLC ± 0.20 [.008]		CUSTOMER DRAWING	SCALE NTS	SHEET 2 OF 2	REV A
3 PLC ± -					
4 PLC ± -					
ANGLES ± -					
MATERIAL -					
FINISH -					