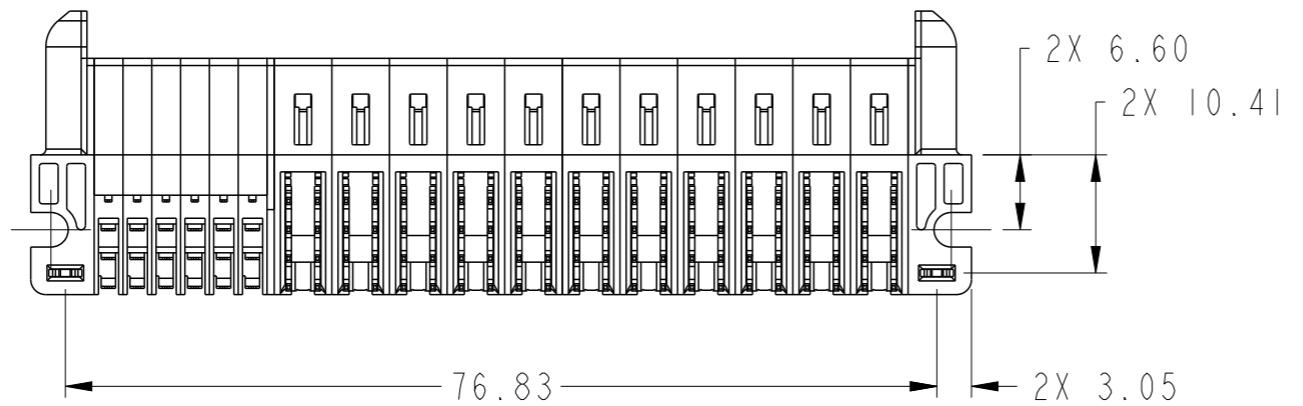
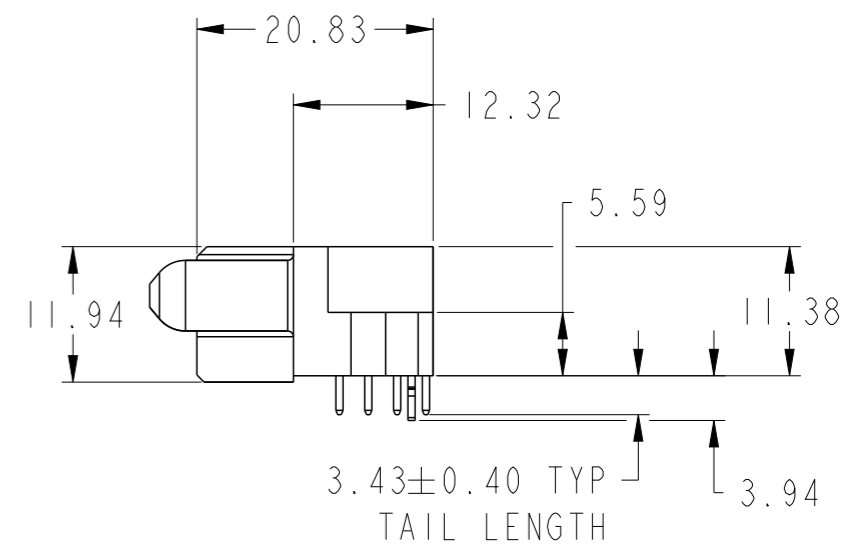
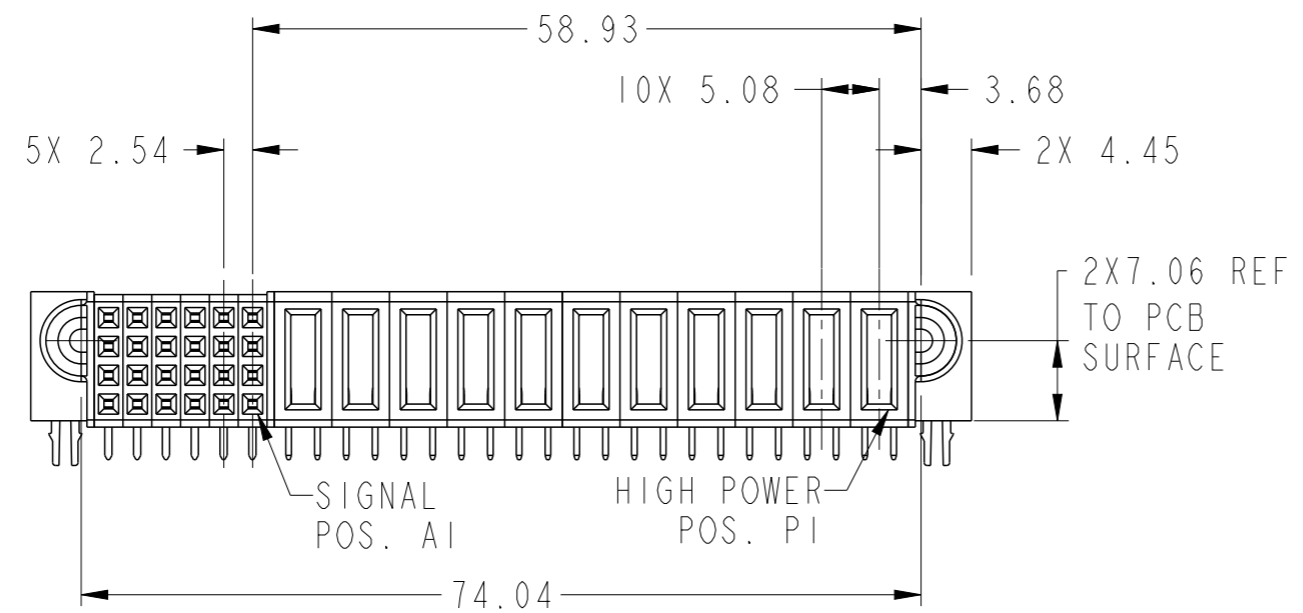
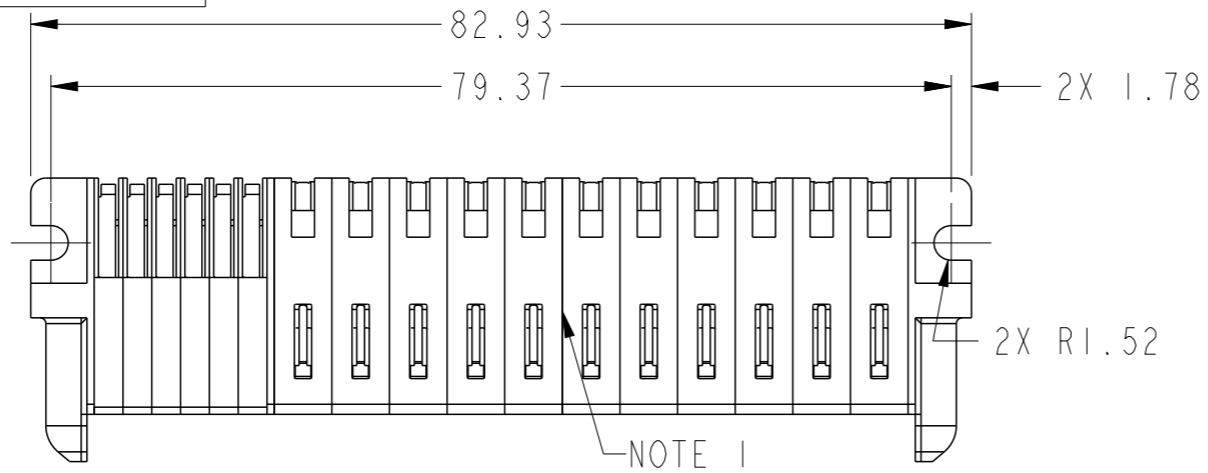


PRODUCT NUMBER SEE SHEET 2

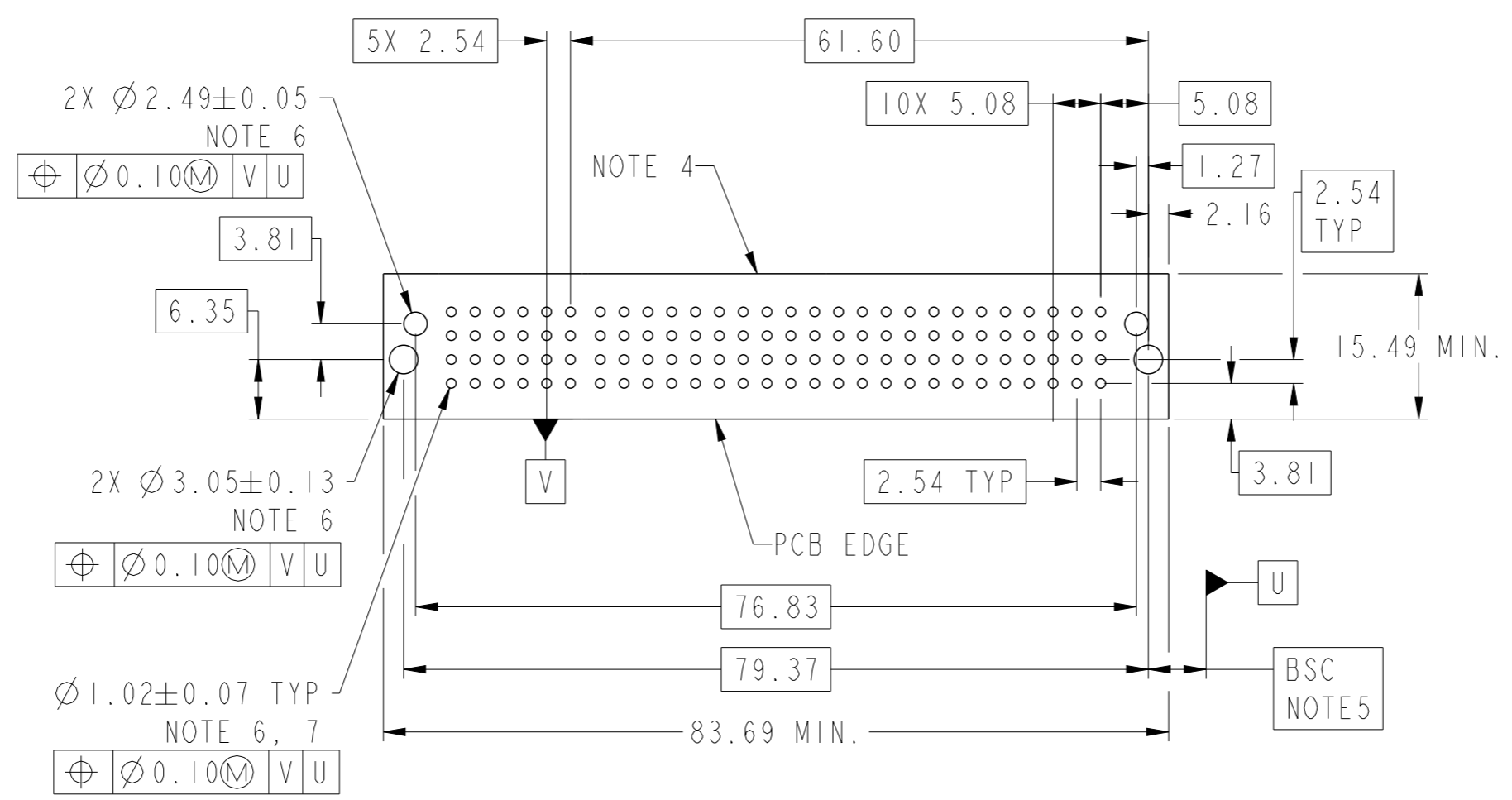


Copyright FCI. FCI

spec ref	*	dr	Peng-Bing Fu	2013/02/21	projection	MM	size	A3	scale	3:2
tolerance std	ASME Y14.5	eng	Peng-Bing Fu	2013/03/12			ecn no	-	rel level	Released
TOLERANCES UNLESS OTHERWISE SPECIFIED		chr	-	-						
surface	<input checked="" type="checkbox"/> linear <input type="checkbox"/> angular	appr	Pei-Ming Zheng	2013/03/12	product family	PwrBlade+	rel level	Released		
ASME Y14.5	linear: 0.X ±0.5, 0.XX ±0.25, 0.XXX ±0.10 angular: 0° ±2°			title: 11HDP+24S RASTB RECEPTACLE	cat. no.	Product - Customer Drw	sheet 1 of 3	dwg no: 10106134-B006001	rev: A	

PRODUCT NO.	ROWS	SIGNAL						HIGH POWER											E2																																								
		E1	6	5	4	3	2	1	P11	P10	P9	P8	P7	P6	P5	P4	P3	P2		P1																																							
10106134-B006001LF	D C B A	<table border="1"> <tr><td>H</td><td>H</td><td>H</td><td>H</td><td>H</td><td>H</td><td>H</td></tr> <tr><td>G</td><td>G</td><td>G</td><td>G</td><td>G</td><td>G</td><td>G</td></tr> <tr><td>F</td><td>F</td><td>F</td><td>F</td><td>F</td><td>F</td><td>F</td></tr> <tr><td>E</td><td>E</td><td>E</td><td>E</td><td>E</td><td>E</td><td>E</td></tr> </table>						H	H	H	H	H	H	H	G	G	G	G	G	G	G	F	F	F	F	F	F	F	E	E	E	E	E	E	E	<table border="1"> <tr><td>H3</td><td>H3</td><td>H3</td><td>H3</td><td>H3</td><td>H3</td><td>H3</td><td>H3</td><td>H3</td><td>H3</td><td>H3</td><td>H3</td><td>H3</td></tr> </table>											H3	H3	H3	H3	H3	H3	H3	H3	H3	H3	H3	H3	H3
H	H	H	H	H	H	H																																																					
G	G	G	G	G	G	G																																																					
F	F	F	F	F	F	F																																																					
E	E	E	E	E	E	E																																																					
H3	H3	H3	H3	H3	H3	H3	H3	H3	H3	H3	H3	H3																																															

CODE	DESCRIPTION
E	STD SIGNAL CONTACT, ROW A
F	STD SIGNAL CONTACT, ROW B
G	STD SIGNAL CONTACT, ROW C
H	STD SIGNAL CONTACT, ROW D
H3	STD HIGH POWER CONTACT(3.43)
HA	METAL HOLD DOWN



dr	Peng-Bing Fu	2013/02/21	projection	MM	size	A3	scale	3:2
eng	Peng-Bing Fu	2013/03/12			ecn no		-	
chr	-	-			rel level		Released	
appr	Pei-Ming Zheng	2013/03/12	product family		PwrBlade+		-	
			title 11HDP+24S RASTB RECEPTACLE			dwg no 10106134-B006001		rev A
www.fci.com			cat. no.		Product - Customer Drw			sheet 2 of 3

Copyright FCI.

NOTES:

- 1) "FCI", PART NUMBER AND DATE CODE TO BE MARKED ON THIS SURFACE.
THE MARK CAN BE OMITTED IF THERE IS NOT ENOUGH SPACE ON THIS SURFACE.
- 2) MATERIALS:
-HOUSING - GLASS FILLED WITH HIGH TEMP THERMOPLASTIC, UL94V-0.
-SIGNAL CONTACT - COPPER ALLOY.
-POWER CONTACT - HIGH CONDUCTIVITY COPPER ALLOY.
- 3) PLATING SPECIFICATION REFER TO FCI 10116351
- 4) DENOTES CONNECTOR KEEP OUT ZONE.
- 5) DATUM AND BASIC DIMENIONS WERE ESTABLISHED BY CUSTOMER.
- 6) ALL HOLE DIAMETERS ARE FINISHED HOLE SIZES.
- 7) 1.15 ± 0.025 MM DRILLED HOLE PLATED WITH 0.00762MM MIN Sn
OVER 0.0254-0.0762MM Cu PLATING TO ACHIEVE A 1.02 ± 0.07 MM HOLE.
- 8) PRODUCT SPECIFICATION REFER TO FCI GS-12-658.
APPLICATION SPECIFICATION REFER TO FCI GS-20-141.
PRODUCT PACKAGED IN TRAYS, REFER TO FCI GS-14-1502.
- 9) THE VOID CORING IN BETWEEN POWER MODULES, SIGNAL
MODULES AND END MODULES ARE OPTIONAL AND THE SHAPE
MAY BE DIFFERENT FOR OPTIMIZE THE MOLDING PROCESS. THE
VOID CORING WILL NOT EFFECT TO PRODUCT FUNCTION.



Copyright FCI.

dr	Peng-Bing Fu	2013/02/21	projection 	MM 	size	A3	scale	3:2
eng	Peng-Bing Fu	2013/03/12			ecn no	-		
chr	-	-			rel level	Released		
appr	Pei-Ming Zheng	2013/03/12	product family	PwrBlade+				
		title 11HDP+24S RASTB RECEPTACLE		dwg no 10106134-B006001	rev A			
www.fci.com		cat. no.	Product - Customer Drw		sheet 3 of 3			