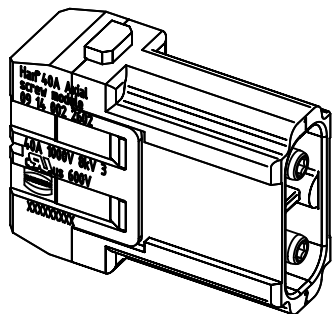


for stranded wire 6-10mm², AWG10-8, fine wire



	All Dimensions in mm Original Size DIN A4		Scale 2:1	Free size tol.		Ref.	
						Sub.	
	All rights reserved		Created by RULLKOETTER	Inspected by SCHNIEDER	Standardisation TIEMANNA	Date 2014-06-11	State Final Release
	Department EL PD - DE		Title Han Modular 2 Module male			Doc-Key / ECM-Nr. 100169975/UGD/006/A 500000074632	
HARTING Electric GmbH & Co. KG D-32339 Espelkamp			Type TB	Number 09 14 002 2602		Rev. A	Page 1/1