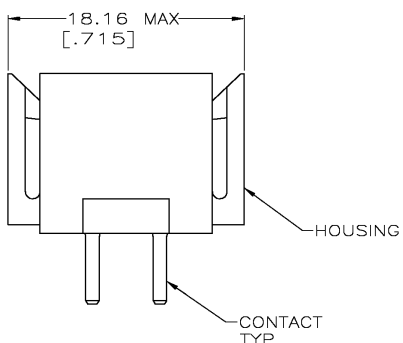
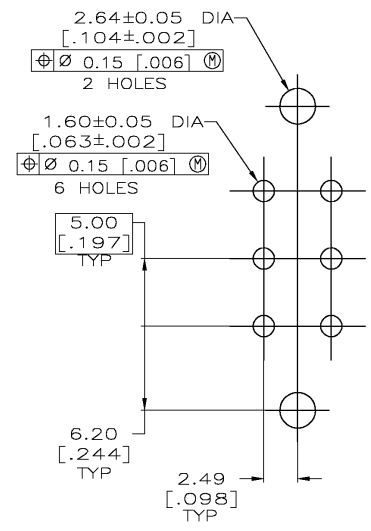
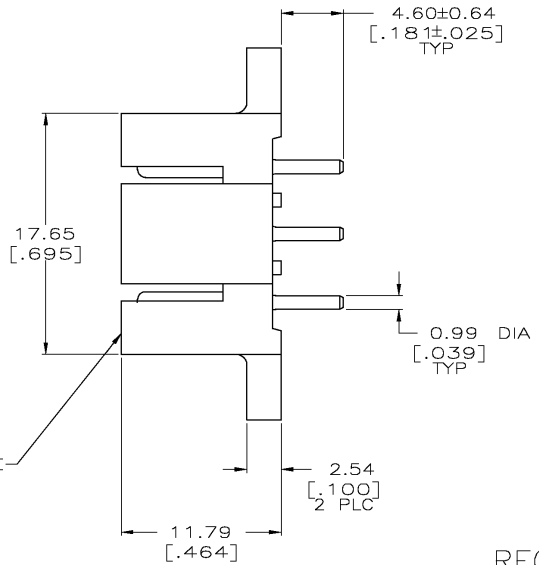
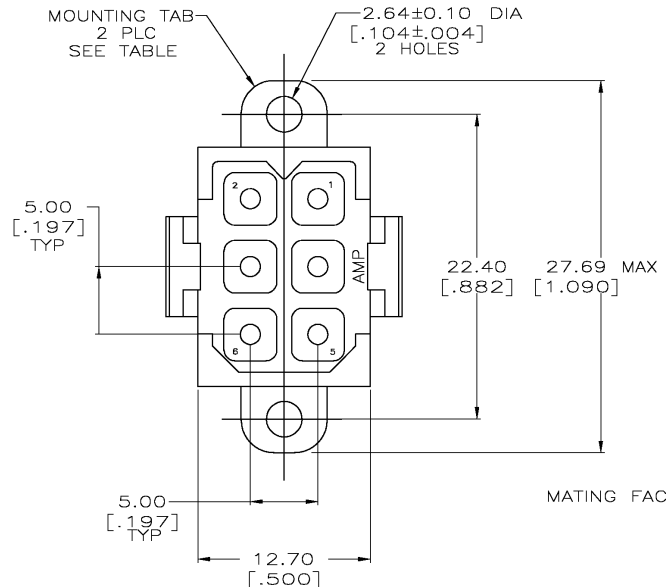


LOC		DISB		REVISIONS			
P	U/R	DESCRIPTION	DATE	DWN	APVD		
T		063B-0390-03	08MAY03	TK	GS		



RECOMMENDED PC BOARD LAYOUT

- ① NYLON, UL 94V-0 RATED, RED.
- ② BRASS PER ASTM B36.
- ③ 3.81µm [0.000150] MIN TIN OVER 2.54µm [0.000100] MIN COPPER.
- ④ 0.76µm [0.000030] MIN GOLD FOR A LENGTH OF 5.08 [0.200] FROM MATING END, 3.81µm [0.000150] MIN TIN FOR A LENGTH OF 4.83 [0.190] MIN FROM OPPOSITE END, BOTH OVER 1.27µm [0.000050] MIN NICKEL.
- ⑤ 0.000150 MIN TIN OVER .000100 MIN CU, OR .000050 MIN NICKEL.

⑤	NO	207158-8
⑤	YES	207158-7
④	NO	207158-4
④	YES	207158-3
③	NO	207158-2
③	YES	207158-1
CONTACT FINISH	MOUNTING TABS	PART NO

THIS DRAWING IS A CONTROLLED DOCUMENT.

DWN	L. SIPE	03/10/92	Tyco Electronics Corporation Harrisburg, Pa
CHK	R. STONE	3-17-92	
APVD	A. TRAVIS	3-17-92	NAME
DIMENSIONS: INCHES			PRODUCT SPEC
TOLERANCES UNLESS OTHERWISE SPECIFIED:			APPLICATION SPEC
0 PLC	± -		108-10033
1 PLC	± -		
2 PLC	± 0.25 [0.010]		
3 PLC	± -		
4 PLC	± -		
ANGLES	± -		
MATERIAL	FINISH	WEIGHT	SIZE
HOUSING: 1	CONTACT: SEE TABLE	-	A2 00779
CUSTOMER DRAWING			SCALE 4:1 SHEET 1 OF 1 REV T