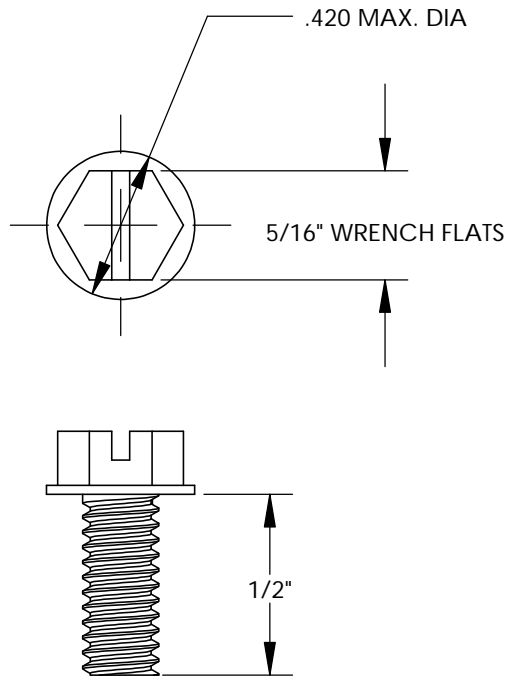


THIS COPY IS PROVIDED ON A RESTRICTED BASIS AND IS NOT TO BE USED IN ANY WAY DETRIMENTAL TO THE INTERESTS OF PANDUIT CORP.

PANDUIT PART NUMBER	QUANTITY
RGTS1032-C	100



NOTES:

1. PAINT PIERCING THREAD DESIGN TO PROVIDE GROUNDING CONNECTION TO THE RACK.
2. #10-32 SLOTTED HEX HEAD THREAD FORMING SCREW.
3. MATERIAL: CLEAR TRIVALENT ZINC PLATED LOW CARBON STEEL
4. PANDUIT PART NUMBER: RGTS1032-C
5. ALL COMPONENTS THAT MAKE UP THIS PART ARE RoHS COMPLIANT.

C41625_00

PANDUIT CORP. TINLEY PARK, ILLINOIS

#10-32 SLOTTED HEX HEAD
 THREAD FORMING SCREW (RGTS1032)
 CUSTOMER DRAWING

REV	DATE	BY	CHK	DESCRIPTION	ECN	PM	APP
00	12/05	JHNU	RGB	DRAWING RELEASED	PC00232		

DRAWN BY JHNU	CHK'D	SCALE NONE	DRAWING NO / CAD FILE C41625
------------------	-------	---------------	---------------------------------