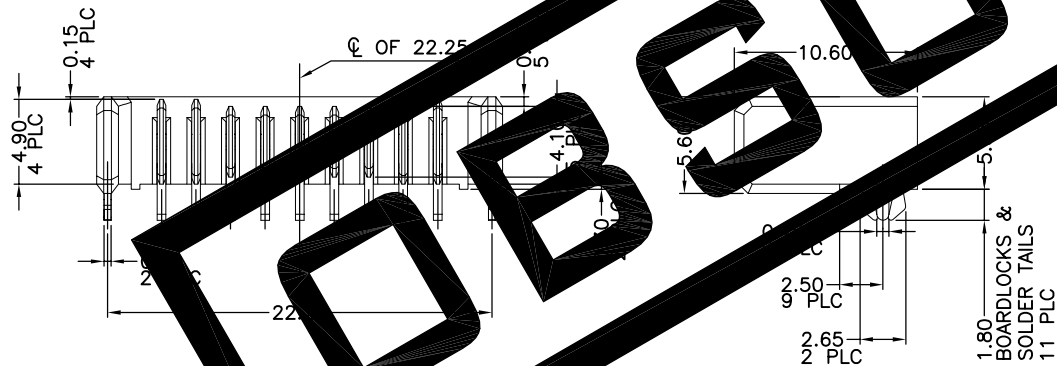
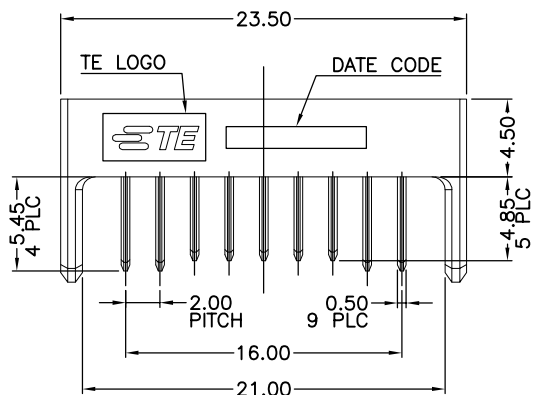
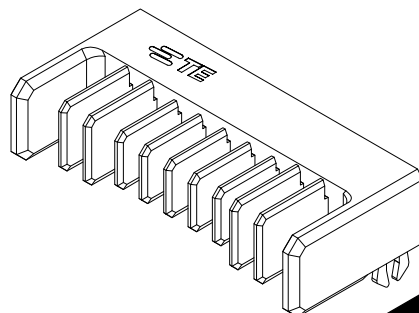
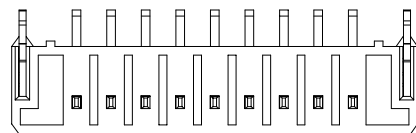


THIS DRAWING IS UNPUBLISHED. RELEASED FOR PUBLICATION
 © COPYRIGHT - TE Connectivity ALL RIGHTS RESERVED.

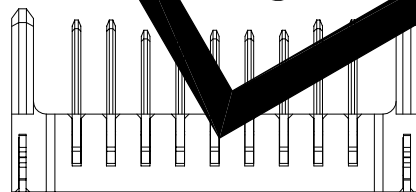
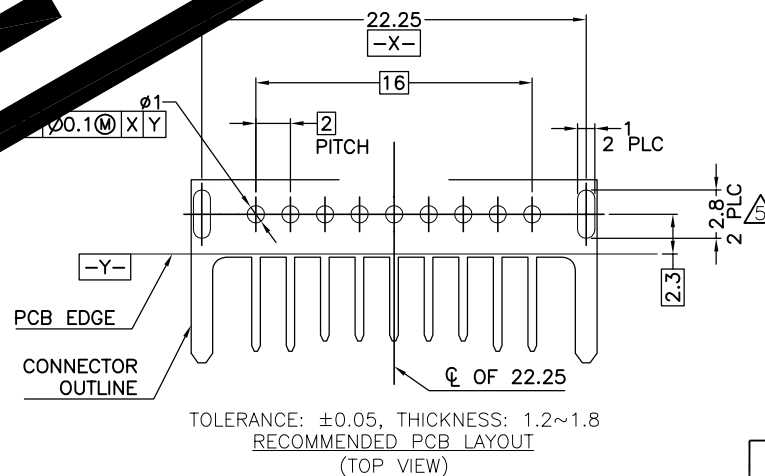
REVISIONS				
P	LTR	DESCRIPTION	DATE	DWN APVD
B		OBSOLETE	04DEC2017	AL WH



NOTES:

- MATERIAL:
HOUSING: LCP WITH 30% GF, UL94V-0, BLACK COLOR.
CONTACTS: BRASS.
BOARDLOCKS: BRASS.
- FINISH:
CONTACTS: GOLD PLATE OVER 1.27μm [50μ"] MIN. NICKEL ON ENTIRE CONTACT.
BOARDLOCKS: 1.27μm [50μ"] MIN. NICKEL OVER 1.27μm [50μ"] MIN. NICKEL PLATED.
- REFLOW SOLDER CAPABLE TO 260°C, IPC-6103-201, METHOD B, CONDITION B.
SUBSTANCE RESTRICTIONS FOR LOW HAZARD (BY WEIGHT):
 - BROMINE (Br) ≤ 900 PPM (0.09%)
 - CHLORINE (Cl) ≤ 900 PPM (0.09%)
 - TOTAL CONCENTRATION OF FLUORINE (F) ≤ 1500 PPM (0.15%)
 - LEAD (Pb) ≤ 100 PPM (0.01%)
 - CADMIUM (Cd) ≤ 100 PPM (0.01%)

NO FURIN FOR BOARDLOCK.

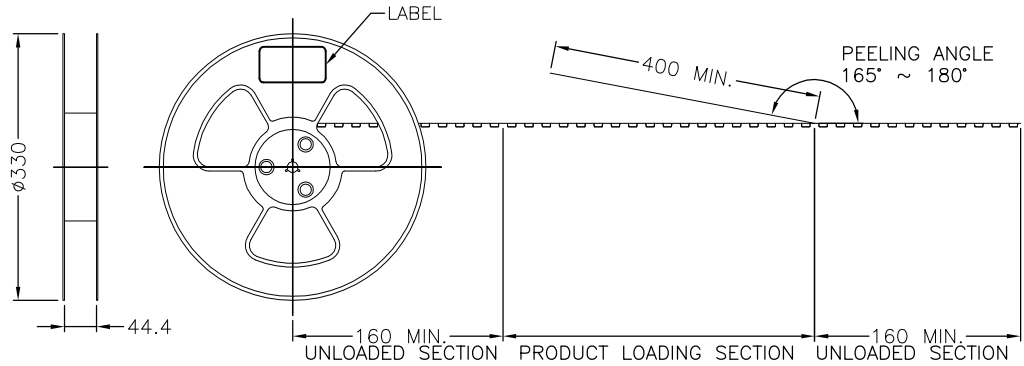


OBSOLETE

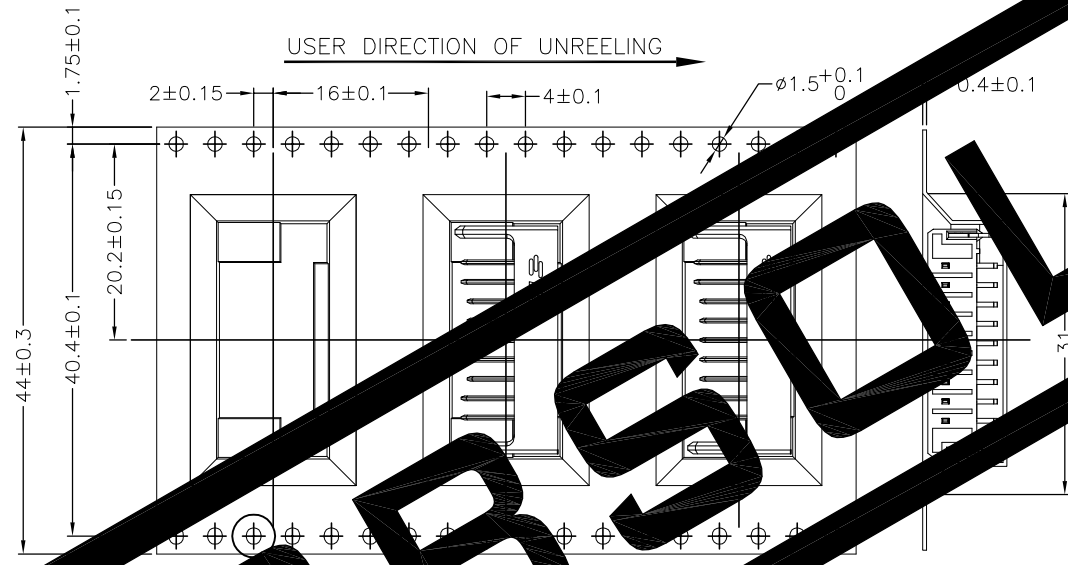
THIS DRAWING IS A CONTROLLED DOCUMENT.		DWN A.WU 27DEC2011	TE Connectivity	
		CHK S.CHEN 27DEC2011		
DIMENSIONS: mm		APVD W.KODAMA 27DEC2011	NAME	
TOLERANCES UNLESS OTHERWISE SPECIFIED:		PRODUCT SPEC		
0 PLC ± - 1 PLC ± 0.3 2 PLC ± 0.2 3 PLC ± 0.15 4 PLC ± - ANGLES ± 3°		108-57848		
MATERIAL SEE NOTE		APPLICATION SPEC		
		WEIGHT 2.07 g		RESTRICTED TO
		SIZE A3 CAGE CODE 00779		DRAWING NO. C=2041449
		CUSTOMER DRAWING		SCALE 1:1 SHEET 1 OF 2 REV B

THIS DRAWING IS UNPUBLISHED. RELEASED FOR PUBLICATION
 © COPYRIGHT - TE Connectivity ALL RIGHTS RESERVED.

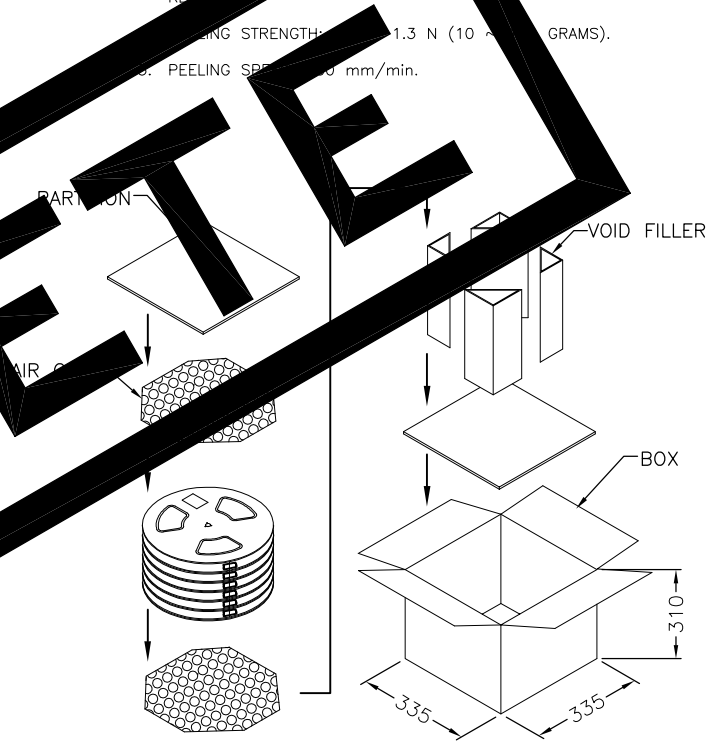
REVISIONS				
P	LTR	DESCRIPTION	DATE	APVD
-	-	SEE SHEET 1	-	-



NOTES:
 1. MATERIAL:
 BOX: FIBREBOARD, CORRUGATED, 5 WALL.
 COVER TAPES: TRANSPARENT CO
 CARRIER TAPES, TRANSPARENT CO
 REEL: POLYESTER, 0.125 mm THICKNESS, 1.3 N (10 GRAMS).
 PEELING STRENGTH:
 2. PEELING SPEED: 0 mm/min.

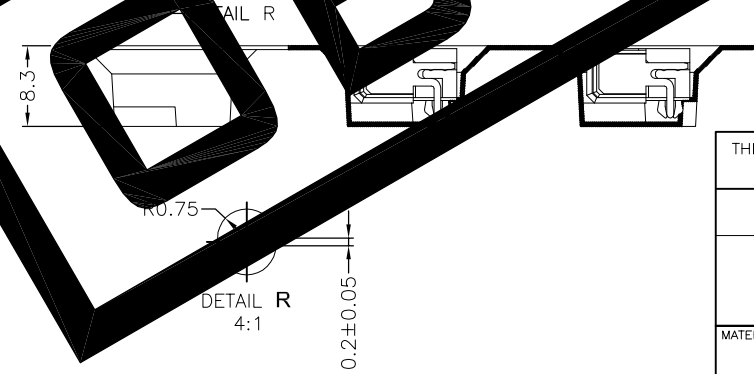


USER DIRECTION OF UNREELING →



1800	6	300	3.72 Kg	7.06 Kg
PCS/BOX	REELS/BOX	PCS/TAPE	NET WEIGHT	GROSS WEIGHT

BATTERY REEL



THIS DRAWING IS A CONTROLLED DOCUMENT.		DWN A.WU 27DEC2011	TE Connectivity		
		CHK S.CHEN 27DEC2011			
		APVD W.KODAMA 27DEC2011	NAME		
DIMENSIONS: mm		PRODUCT SPEC 108-57848		2 MM PITCH BATTERY CONNECTOR, 9 POSITION, OFFSET, 5.35 HEIGHT, PLUG	
TOLERANCES UNLESS OTHERWISE SPECIFIED: 0 PLC ± - 1 PLC ± 0.3 2 PLC ± 0.2 3 PLC ± 0.15 4 PLC ± - ANGLES ± 3°		APPLICATION SPEC		RESTRICTED TO	
MATERIAL SEE NOTE		FINISH SEE NOTE		WEIGHT 2.07 g	
		SIZE A3		CAGE CODE 00779	
		DRAWING NO C=2041449		SCALE 1:1	
		CUSTOMER DRAWING		SHEET 2 OF 2	
				REV B	