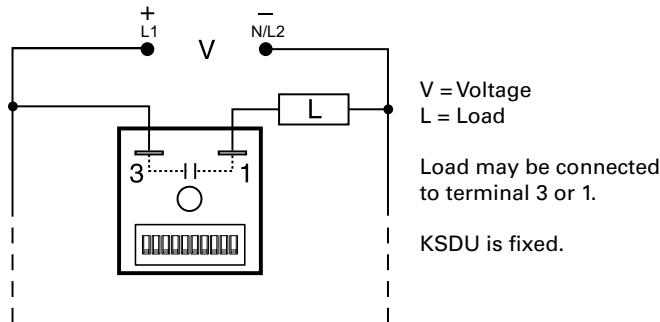


KSDU SERIES



Wiring Diagram



Ordering Information

MODEL	INPUT VOLTAGE	ADJUSTMENT	TIME DELAY
KSDU8120	24 to 120VAC/DC	Fixed	20s
KSDU811200	24 to 120VAC/DC	Fixed	1200s

If you don't find the part you need, call us for a custom product 800-843-8848

Description

The KSDU Series are encapsulated solid-state, delay-on-make timers that combine digital timing circuitry with universal voltage operation. The KSDU Series is factory fixed from 0.1s to 10,230s and does not include the DIP switch. These series are excellent choices for process control systems and OEM equipment.

Operation (Delay-on-Make)

Upon application of input voltage, the time delay begins. The output is de-energized before and during the time delay. At the end of the time delay, the output energizes and remains energized until input voltage is removed.

Reset: Removing input voltage resets the time delay and output.

Features & Benefits

FEATURES	BENEFITS
Universal Voltage	24 to 240VAC/DC in 2 ranges
Digital Integrated Circuitry	Repeat accuracy +/- 5%
1A Steady, 10A inrush solid-state output	Provides 100 million operations in typical conditions.
Totally solid state and encapsulated	No moving parts to arc and wear out over time and encapsulated to protect against shock, vibration, and humidity
2 terminal design	Provides series connection for easy installation

Accessories



P1023-6 Mounting bracket

The 90° orientation of mounting slots makes installation/removal of modules quick and easy.



P1015-64 (AWG 14/16) Female Quick Connect

These 0.25 in. (6.35 mm) female terminals are constructed with an insulator barrel to provide strain relief.



P1015-18 Quick Connect to Screw Adapter

Screw adapter terminal designed for use with all modules with 0.25 in. (6.35 mm) male quick connect terminals.



C103PM (AL) DIN Rail

35 mm aluminum DIN rail available in a 36 in. (91.4 cm) length.



P1023-20 DIN Rail Adapter

Allows module to be mounted on a 35 mm DIN type rail with two #10 screws.

KSDU SERIES

Specifications

Time Delay

Type	Digital integrated circuitry
Range*	Fixed from 0.1s - 10230s
Fixed	Fixed from 0.1s - 10230s
Repeat Accuracy	±0.5% or 20ms, whichever is greater
Tolerance	±10%
(Factory Calibration)	±10%
Recycle Time	≤150ms
Time Delay vs Temp. & Voltage	±5%

Input

Voltage	24 to 120VAC/DC; 100 to 240VAC/DC
AC Line Frequency	50/60 Hz
Tolerance	±20%

Output

Type	Solid state
Form	NO, open during timing
Maximum Load Current	1A steady state, 10A inrush at 60°C
Minimum Holding Current	40mA
Voltage Drop	≈ 2.5V @ 1A

Protection

Circuitry	Encapsulated
Dielectric Breakdown	≥ 2000V RMS terminals to mounting surface
Insulation Resistance	≥ 100 MΩ

Mechanical

Mounting	Surface mount with one #10 (M5 x 0.8) screw
Dimensions	H 50.8 mm (2.0"); W 50.8 mm (2.0"); D 30.7 mm (1.21")
Termination	0.25 in. (6.35 mm) male quick connect terminals

Environmental

Operating/Storage Temperature	-40° to 60°C / -40° to 85°C
Humidity	95% relative, non-condensing
Weight	≈ 2.4 oz (68 g)

* For CE approved applications, power must be removed from the unit when a switch position is changed.

Function Diagram

