
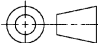


1. PART NUMBER AND CHARACTERISTICS

TE Part No	Rev	Width	Length	Color	Mfr Part No
992121-1	O	3.27	328 Yds.	Black	R4300
992121-2	O	3.27	328 Yds.	Blue	R4402B
992121-3	O	3.27	328 Yds.	Green	R4402G
992121-4	A	3.27	328 Yds.	Red	R4402R
992121-5	B	4.33	328 Yds.	Black	R6007
992121-6	C	2.36	328 Yds.	Black	R4902
992121-7	C	2.36	328 Yds.	Black	R6000
992121-8	D	60 mm	300 m	Red	R4400R (Outside Wound)

- 1.1. All dimensions are nominal unless otherwise specified  
 2. RECOMMENDED MANUFACTURER  
 Brady Corporation  
[www.bradycorp.com](http://www.bradycorp.com)  
 or Tyco Electronics Engineering approved equivalent.

<b>COMMERCIAL ITEM SPECIFICATION</b>		MATERIAL								
		FINISH								
© 2008 Tyco Electronics Corporation, Harrisburg, PA All International Rights Reserved				DIMENSIONS IN INCHES		NO	<b>992121</b>	REV	LOC	DIST
		SHEET 1 OF 1		TITLE						
D Add -8		JNB 12AUG08		<b>RIBBON, THERMAL TRANSFER</b>						
REV	ENGINEERING CHANGE	CHK	DATE							