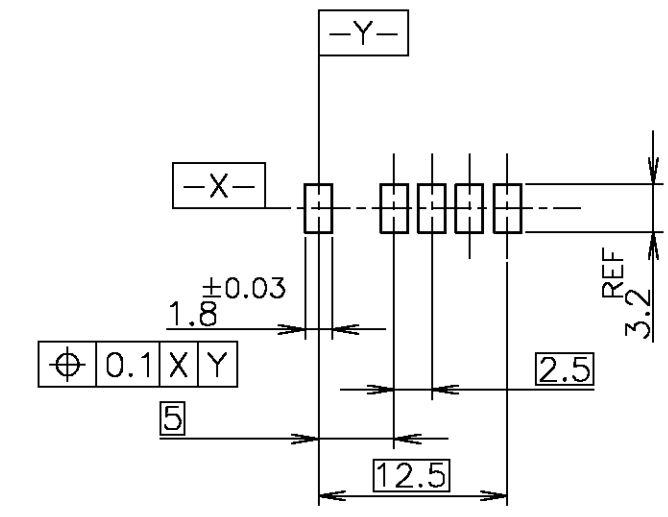
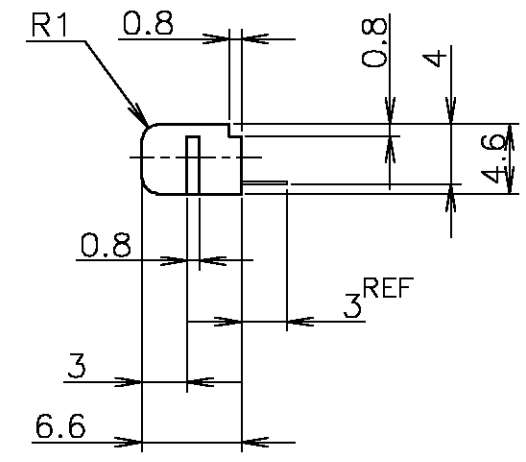
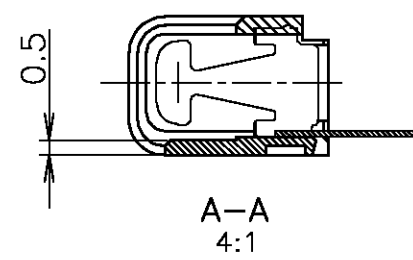
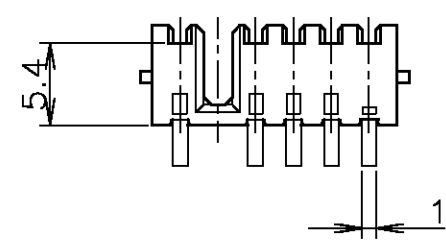
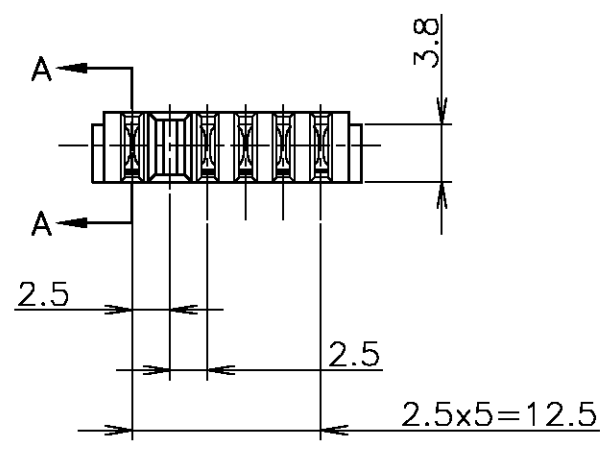
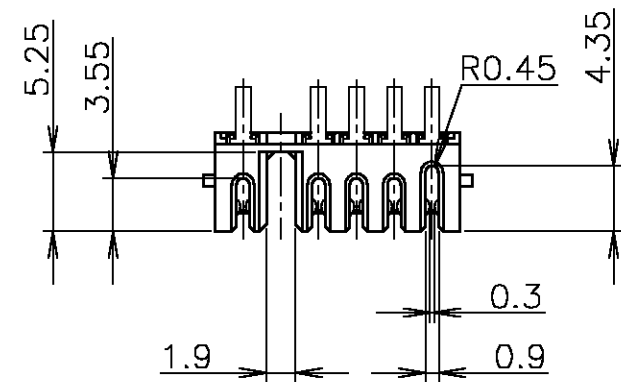
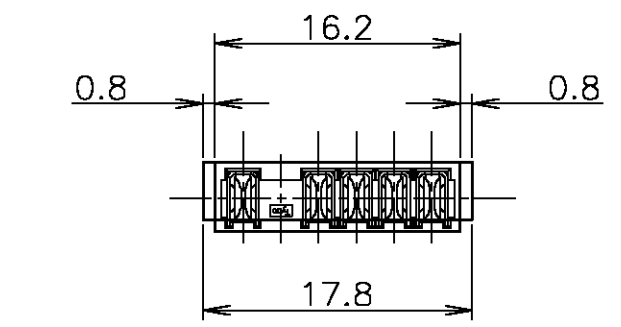


THIS DRAWING IS UNPUBLISHED. RELEASED FOR PUBLICATION JUL, 2002.  
 © COPYRIGHT 2002 BY TYCO ELECTRONICS CORPORATION. ALL RIGHTS RESERVED.

LOC	DIST	REVISIONS		
		P	LTR	DESCRIPTION
J		C	REVISED	FJB0-0250-04
				DATE: 12MAR04
				DWN: T.K
				APVD: K.I



基板取付参考寸法  
 REFERENCE P.C. BOARD LAYOUT  
 P.C. BOARD THK 0.8~1.2  
 (VIEW FROM CONNECTOR MOUNTING SIDE)

- △ 材料
  - ・ハウジング：熱可塑性樹脂、UL94V-0、黒
  - ・コンタクト：銅合金
- △ 仕上げ
  - ・コンタクト：ニッケル下地めっき
  - 接触部 金めっき
  - 半田付け部 すずめっき
- △ MATERIAL
  - ・ HOUSING: THERMOPLASTIC RESIN, UL94V-0, BLACK
  - ・ CONTACT: COPPER ALLOY
- △ FINISH
  - ・ CONTACT: Ni ALL OVER UNDER PL.
  - GOLD PL. AT CONTACT AREA
  - TIN PL. AT LEAD AREA

1612504-1:AS SHOWN

THIS DRAWING IS A CONTROLLED DOCUMENT.		DWN T.KATANO 22JUL02	WIRE RANGE 抱合電線断面積		INSULATION DIA 被覆外径	
DIMENSIONS: 単位： 耗 MM		CHK K.IKEGAMI 22JUL02	Tyco Electronics AMP K.K. Kawasaki, Japan		NAME 名称	
TOLERANCES UNLESS OTHERWISE SPECIFIED: 一般公差		APVD K.KODAIRA 22JUL02	RECEPTACLE ASSEMBLY 2.5mm PITCH BATTERY CONNECTOR		DRAWING NO 番号	
0 PLC ± 0.3		PRODUCT SPEC 製品規格 108-5783	SIZE A3	CAGE CODE 00779	DRAWING NO 番号 C-1612504	RESTRICTED TO
1 PLC ± 0.3		APPLICATION SPEC 取付適用規格	CUSTOMER DRAWING		SCALE 尺度 2:1	SHEET 1 OF 1
2 PLC ± 0.3		WEIGHT	SCALE 尺度 2:1		SHEET 1 OF 1	REV C
3 PLC ± 0.3						
4 PLC ± 0.3						
ANGLES ± 3'						
MATERIAL 材料	FINISH 仕上					