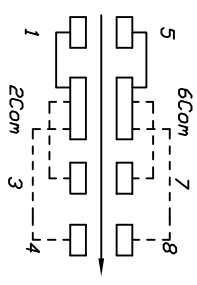
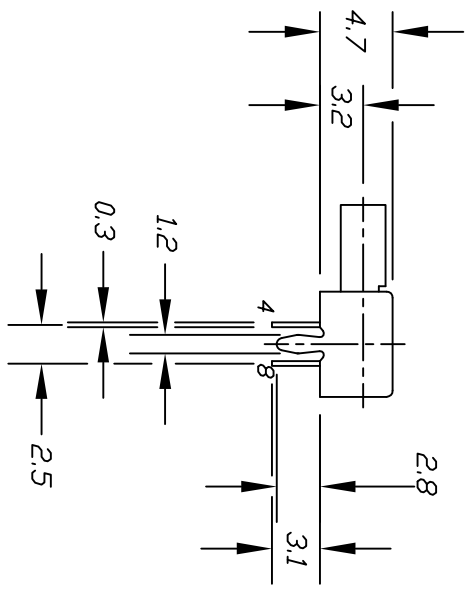


RECOMMEND P.C.B. HOLES



CIRCUIT: DP3T  
CONTACT CONFIGURATION

SWITCH FUNCTION			
POS. 1	POS. 2	POS. 3	
█	█	█	█
2-1	2-3	2-4	
6-5	6-7	6-8	

- NOTES:
1. ALL DIMENSIONS IN MM
  2. TERM. NOS. FOR REF ONLY
  3. RATING: DC 30V, 0.2A
  4. TRAVEL: 2.0mm
  5. TIMING: NON-SPECIFIED
  6. 2002/95/EC (ROHS) COMPLIANT

B	ADD TIMING NOTE	1/20/09	BLR
A	RELEASED FOR PRODUCTION		
REV.	DESCRIPTION	DATE	CHKD

THE INFORMATION CONTAINED IN THIS DOCUMENT IS PROPRIETARY TO E-SWITCH AND IS NOT TO BE COPIED OR TRANSFERRED

TOLERANCES	
0.0	±0.4
0.00	±0.25

TITLE		EG 2315A		DR	DWG	REV
SCALE	DATE	DR	DWG			
2:1	1/20/09	BLR	P040241	B		