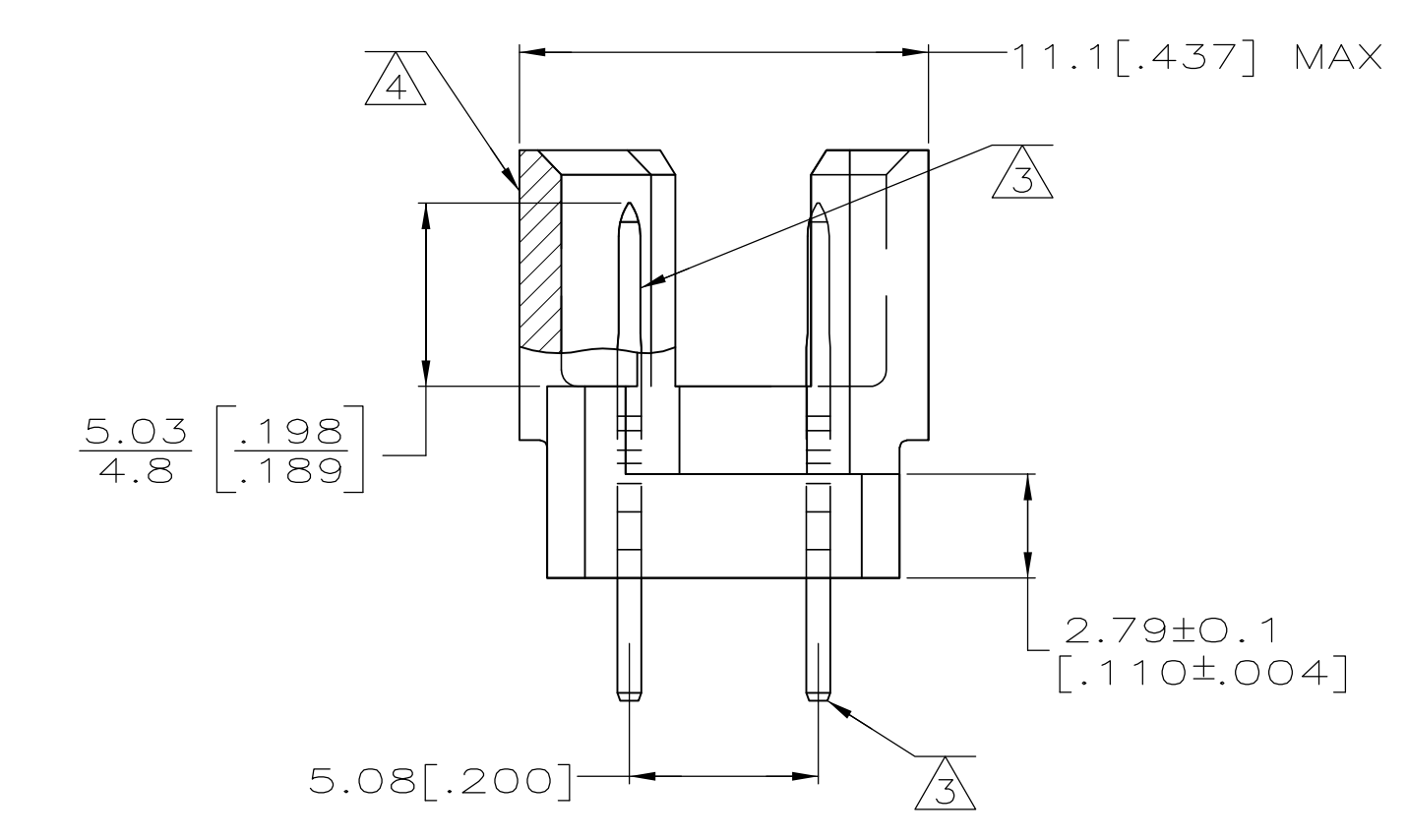


- ① HOUSING MATERIAL: GLASS-FILLED POLYMER.
- ② POST MATERIAL: COPPER ALLOY.
- ③ POST FINISH: DIN 41612 CLASS 2 IN CONTACT AREA. TIN PLATE ON POSTS.
- ④ MARKING ON THIS SIDE.
- ⑤ RECOMMENDED HOLE SIZE FOR MANUAL APPLICATION OF CONNECTOR ONTO PC BOARD.
- ⑥ [PART NUMBER, DATE CODE] MARKED THIS APPROXIMATE AREA.



1-32	X	-	X	64	5650933-5
POSITIONS LOADED	C	B	A	NO. OF LOADED POSITION	ASSY PART NUMBER

THIS DRAWING IS A CONTROLLED DOCUMENT.		DIN J. POLIGNONE DSMAYOS		Tyco Electronics Corporation Harrisburg, Pa 17105-3608	
DIMENSIONS: mm [INCHES]		TOLERANCES UNLESS OTHERWISE SPECIFIED:		NAME: ASSEMBLY, PIN, EUROCARD, TYPE R, 64/96 POSITION, 3.30[.130] SOLDER POST	
0 PLC	± -	1 PLC	± -	SIZE	CAGE CODE
1 PLC	± -	2 PLC	± 0.13[.005]	A1	00779
2 PLC	± -	3 PLC	± -	DRAWING NO	5650933
3 PLC	± -	4 PLC	± -	WEIGHT	
4 PLC	± -	ANGLES	± -	CUSTOMER DRAWING	SCALE 5:1
					SHEET 1 OF 1
					REV 01