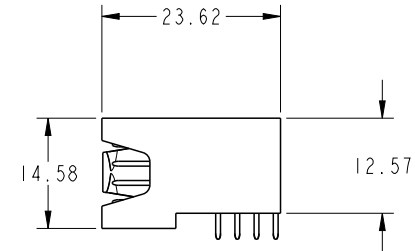
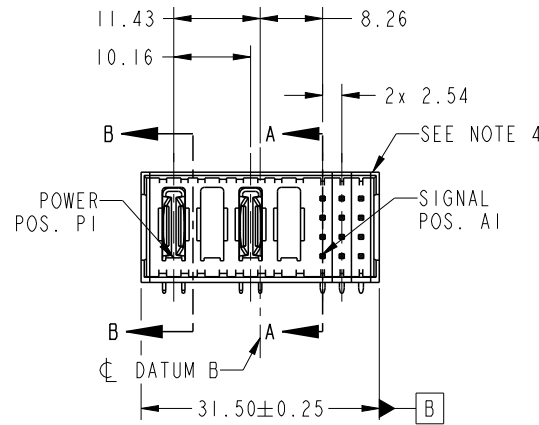


PRODUCT NO.	ROWS	POWER				SIGNAL		
		P1	P2	P3	P4	1	2	3
51939-857-- NOTE 3	D C B A	PA	X	PA	X	UU	TT	SS

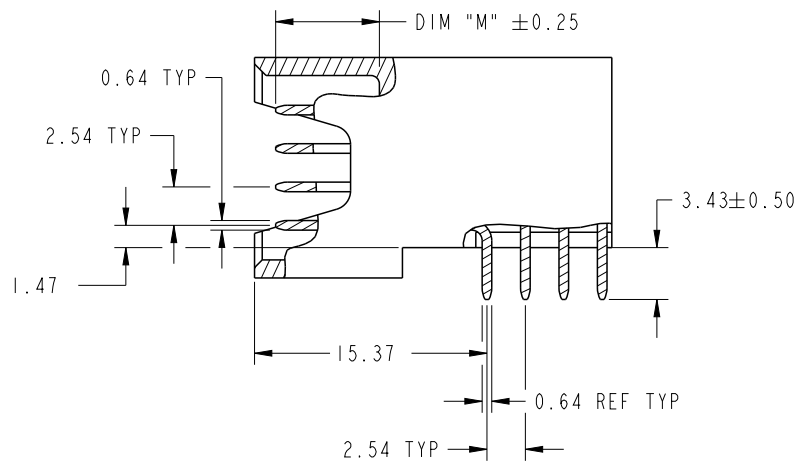


CODE	DIM "M" MATING LENGTH	CONTACT TYPE
U	[6.86]	SIGNAL
T	[6.86]	SIGNAL
S	[6.86]	SIGNAL
R	[6.86]	SIGNAL
PA	[N/A]	POWER
X	OMITTED	

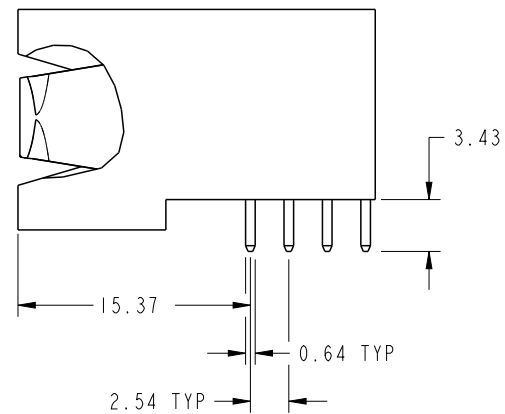
spec ref	*	dr	X Q Wang	2014/04/15	projection	MM	size	A4	scale	1:1	
tolerance std	ASME Y14.5	eng	De-Ming Lu	2014/06/05		←→	ecm no	-	rel level		Released
TOLERANCES UNLESS OTHERWISE SPECIFIED		chr	-	-			product family	PwrBlade			
surface	✓	appr	Pei-Ming Zheng	2014/06/05	www.fci.com		title	4DCP + 12S		rev	A
ASME Y14.5	linear	0.X	±0.5	RIGHT ANGLE SOLDER HEADER		cat. no.	-	Product - Customer Drw	sheet 1 of 4		
	angular	0°	±2°			dwg no		51939-857			

PRODUCT NUMBER

51939-857--
NOTE: 3



BROKEN-OUT SECTION A-A
SCALE 2:1



BROKEN-OUT SECTION B-B
SCALE 2:1

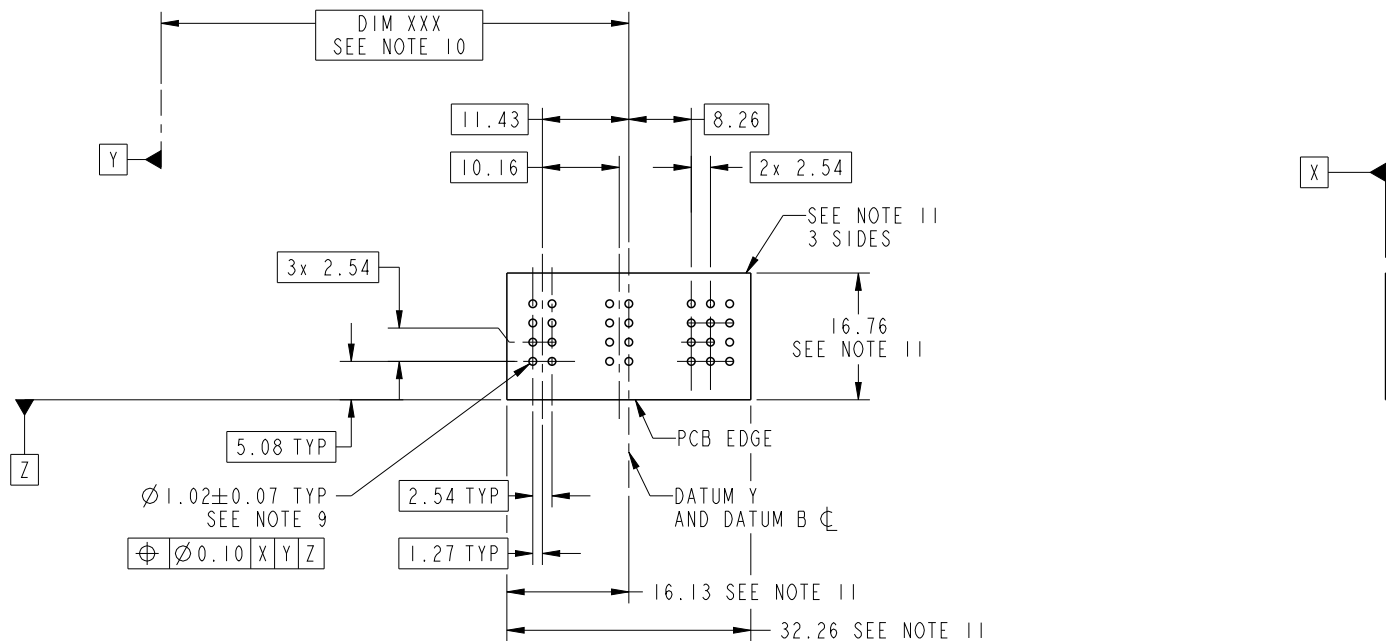


Copyright FCI.

dr	X Q Wang	2014/04/15	projection 	MM 	size	A4	scale	1:1
eng	De-Ming Lu	2014/06/05			ecn no	-		
chr	-	-			rel level	Released		
appr	Pei-Ming Zheng	2014/06/05	product family	PwrBlade	rev	A		
	title	4DCP + 12S RIGHT ANGLE SOLDER HEADER		dwg no	51939-857			
www.fci.com	cat. no.	-	Product - Customer Drw	sheet 2 of 4				

PRODUCT NUMBER

51939-857--
NOTE: 3



RECOMMENDED PCB LAYOUT

dr	X Q Wang	2014/04/15	projection 	MM 	size	A4	scale	1:1
eng	De-Ming Lu	2014/06/05			ecn no	-		
chr	-	-			rel level	Released		
appr	Pei-Ming Zheng	2014/06/05	product family	PwrBlade	rev	A		
	title	4DCP + 12S RIGHT ANGLE SOLDER HEADER		dwg no	51939-857			
www.fci.com	cat. no.	-	Product - Customer Drw		sheet 3 of 4			

PRODUCT NUMBER

51939-857--
NOTE: 3

NOTES:

1. DIMENSIONS AND TOLERANCES ARE IN ACCORDANCE WITH ASME Y14.5M, 1994 UNLESS OTHERWISE SPECIFIED.

CONNECTOR NOTES:

- 2. HOUSING MATERIAL: UL 94 V-0 GLASS FILLED HIGH-TEMP THERMOPLASTIC
POWER CONTACT MATERIAL: COPPER ALLOY
SIGNAL PIN MATERIAL: COPPER ALLOY
- 3. SEE ITEM 1 & 2 IN PRINT 10064183 FOR PLATING SPEC OF 51939-857 AND 51939-857LF RESPECTIVELY.
- 4. MANUFACTURER'S NAME, DATE CODE AND OPTIONAL P/N TO APPEAR ON THIS SURFACE. THE MARK CAN BE OMITTED IF THERE IS NOT ENOUGH SPACE ON THIS SURFACE.
- 5. PRODUCT SPECIFICATION GS-12-149.
APPLICATION SPECIFICATION BUS-20-067.
- 6. PACKAGED IN TRAYS.

PCB NOTES:

- 7. ALL HOLE DIAMETERS ARE FINISHED HOLE SIZE.
- 8. MOUNTING HOLES, WHERE APPLICABLE, ARE UNPLATED.

9. $\varnothing 1.151 \pm 0.025$ DRILLED HOLES PLATED WITH
0.008 MIN SnPb OR Sn OVER 0.03
TO 0.08 Cu PLATING TO ACHIEVE
 $\varnothing 1.02 \pm 0.07$ HOLE.

10. "DIM XXX" TO BE DETERMINED BY THE CUSTOMER.

11. CONNECTOR KEEP-OUT ZONE.

dr	X Q Wang	2014/04/15	projection 	MM 	size	A4	scale	1:1			
eng	De-Ming Lu	2014/06/05			ecn no	-					
chr	-	-			product family	PwrBlade	rel level	Released			
appr	Pei-Ming Zheng	2014/06/05			title	4DCP + 12S		dwg no	51939-857	rev	A
www.fci.com		cat. no.	-	Product - Customer Drw			sheet 4 of 4				