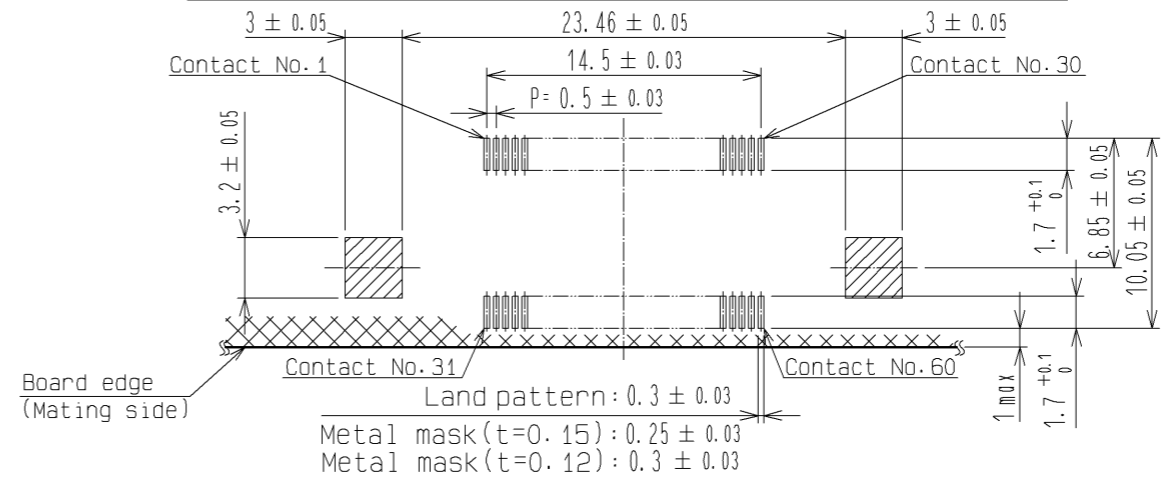
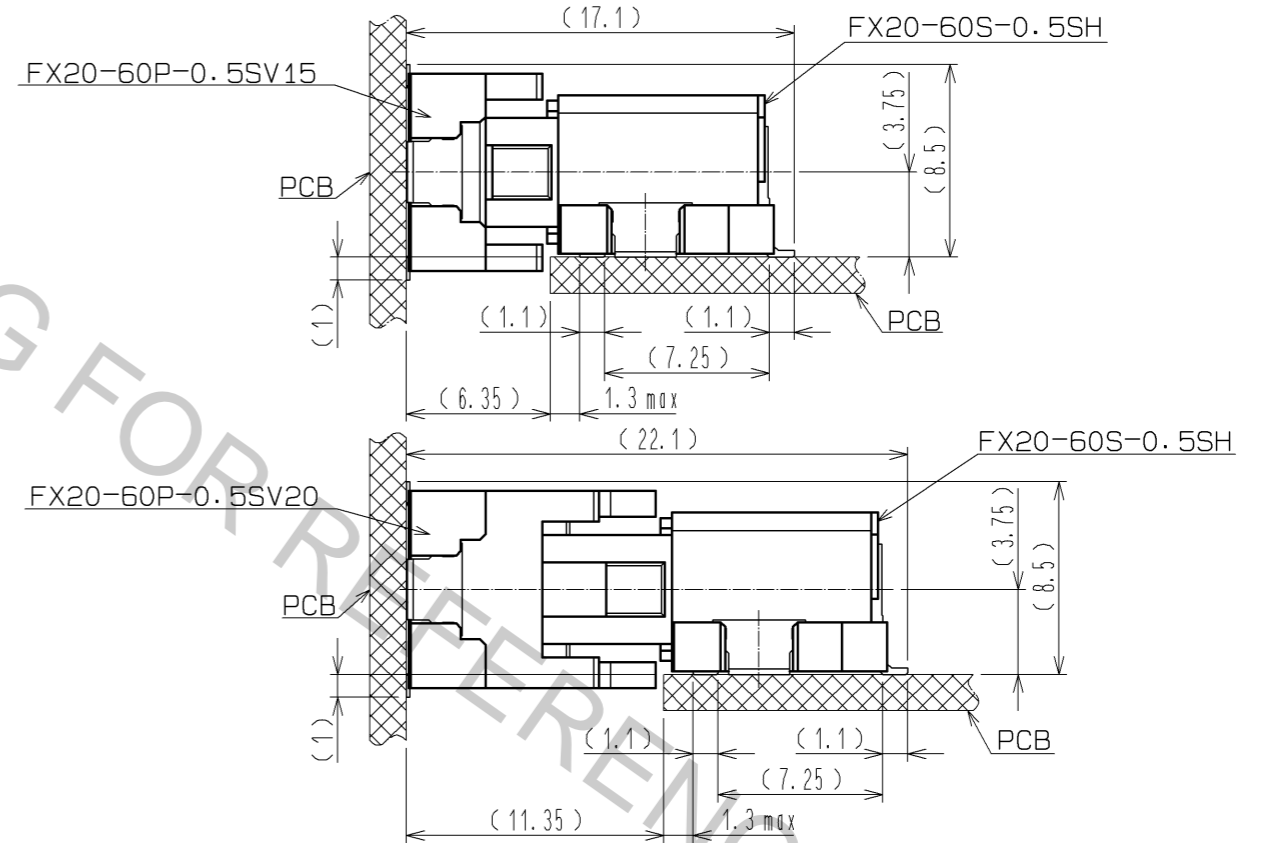


⑤ Recommended land pattern dimension of PCB



Drawing for mating (No scale)



- 1 Lead CO-Planarity is 0.1mm MAX.
- ② This is packaged in tray. (70pcs/tray)
- 3 Blemish and hit mark can be occurred through out the manufacturing process which doesn't affect quality level.
- 4 Please note that excessive wrenching force could damage this connector. Please refer to the guideline for detailed regulations of the mating method.
- ⑤ No prohibited area for printing pattern or via hole. PCB resist can be printed optionally.
- 6 The dimensions in parentheses are for references.

1	LCP	BLACK UL94V-0	4	BRASS	TIN-PLATING $1 \mu\text{m}$		
			2.3	PHOSPHOR BRONZE	CONTACT AREA: GOLD $0.1 \mu\text{m}$		
					LEAD AREA: GOLD $0.03 \mu\text{m}$		
					UNDER PLATING: NICKEL $1 \mu\text{m}$		
NO.	MATERIAL	FINISH . REMARKS	NO.	MATERIAL	FINISH . REMARKS		
UNITS	⊙	SCALE	COUNT	DESCRIPTION OF REVISIONS	DESIGNED	CHECKED	DATE
mm		2 : 1	△				
HRS HIROSE ELECTRIC CO., LTD.		APPROVED : HS. OKAWA	13.09.25	DRAWING NO. EDC3-348427-00			
		CHECKED : KI. HIROKAWA	13.09.25	PART NO. FX20-60S-0.5SH			
		DESIGNED : TS. OONO	13.09.25	CODE NO. CL570-1602-0-00			
		DRAWN : TS. OONO	13.09.25			△ 1/1	