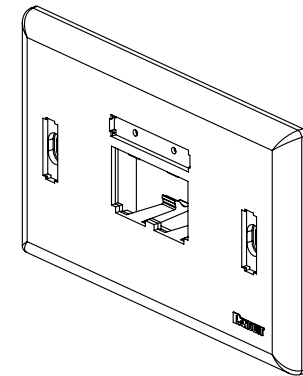
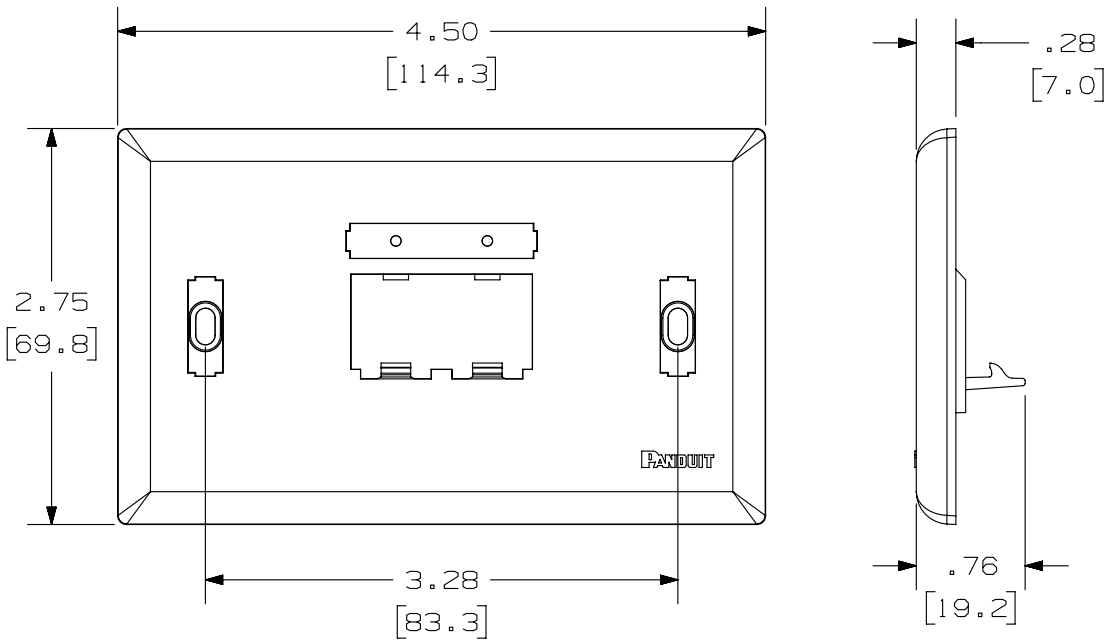


THIS COPY IS PROVIDED ON A RESTRICTED BASIS AND IS NOT TO BE USED IN ANY WAY DETRIMENTAL TO THE INTERESTS OF PANDUIT CORP.

PANDUIT P/N	WEIGHT
UICFPHA2**	.54 LB/10 PCS (244.0 g/10 PCS)

NOTES:

- SEE CURRENT CATALOG FOR ADDITIONAL PART NUMBER SUFFIXES TO INDICATE COLOR AND OR PACKAGE QUANTITY.
- SEE CATALOG FOR COMPLETE LIST OF PARTS APPLICABLE FOR USE WITH THIS PART.
- DIMENSIONS IN PARENTHESES ARE IN METRIC.
- PART INCLUDES:
 - 1- FACEPLATE
 - 1- CLEAR SCREW COVER
 - 2- COLOR COORDINATED SCREW COVER
 - 1- CLEAR LABEL COVER
 - 2- 1" MOUNTING SCREW
 - 2- 2" MOUNTING SCREW



PART NUMBER		UICFPHA2**	
TITLE			
MINI-COM ULTIMATE ID 2 POSITION HORIZONTAL CLASSIC SERIES FACEPLATE (AUSTRALIA VERSION)			
CUSTOMER DRAWING			
ITEM REVISION NAME		M01279BG/04	
DATASET FILE NAME		M01279BG_DC/04A	
UNLESS OTHERWISE SPECIFIED, DIMENSIONAL TOLERANCES ARE: IN [mm]		MATERIAL:	
.x ± .xxx ± .010 [.3]		ABS	
.xx ± .03 [.8] ANGLES ±		DRAWING NUMBER:	
THIRD ANGLE PROJECTION		01279-11	
DRAWN BY	DATE	CHK	SCALE
JSP	12-15-04	MJD	NONE
REV	DATE	BY	CHK
1	5-15-04	BJN	JSP
APR	DESCRIPTION		ECN
	REVISED & REDRAWN PREVIOUS REVISIONS REMVD FOR CLARITY		01279-11
SHT 1 OF 1		SIZE A	

D10100DA/14