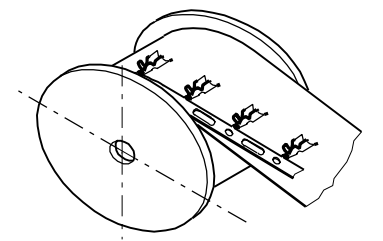
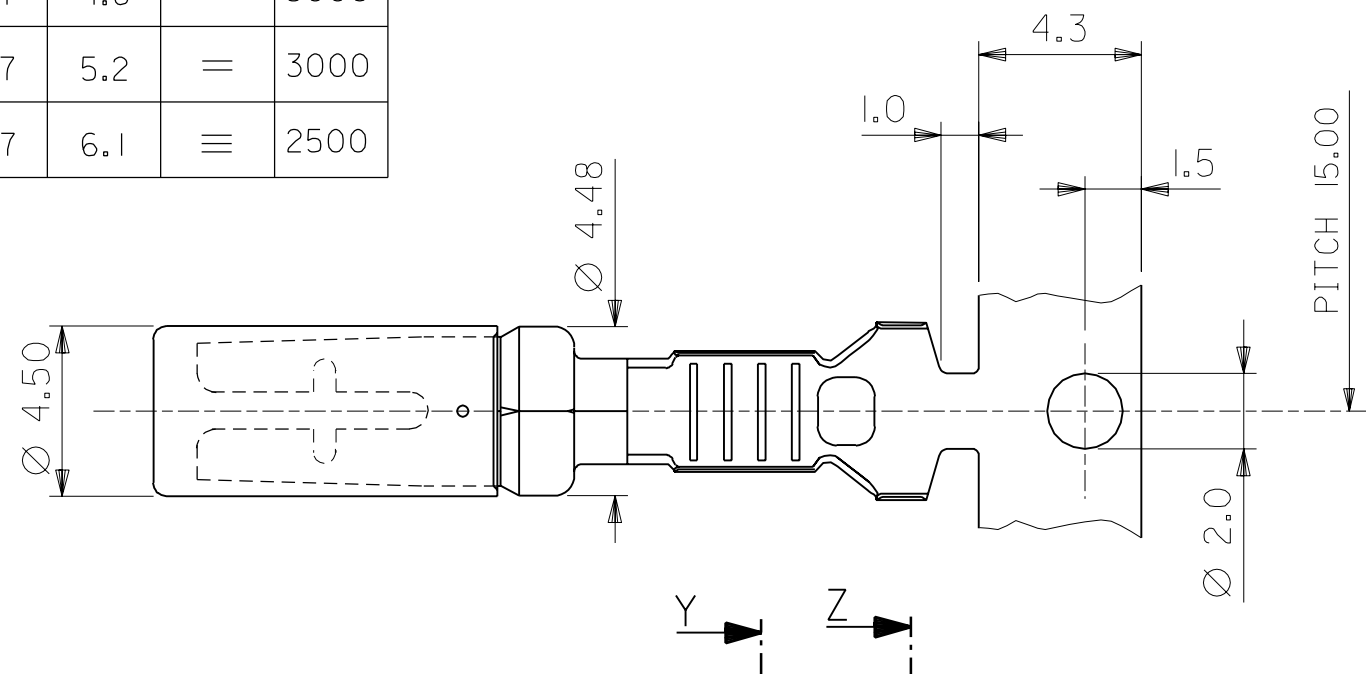


PART NO.	WIRE		B1	H1	B2	H2	M	PARTS PER REEL
	SQ mm ²	INS. Ø mm						
98012-1102	0.5-1.0	1.4-3.3	3.2	3.2	4.7	4.6	—	3000
98012-1202	1.5-2.5	2.1-4.2	4.1	3.8	5.7	5.2	=	3000
98012-1302	2.5-4.0	2.6-4.9	4.4	4.5	6.7	6.1	≡	2500

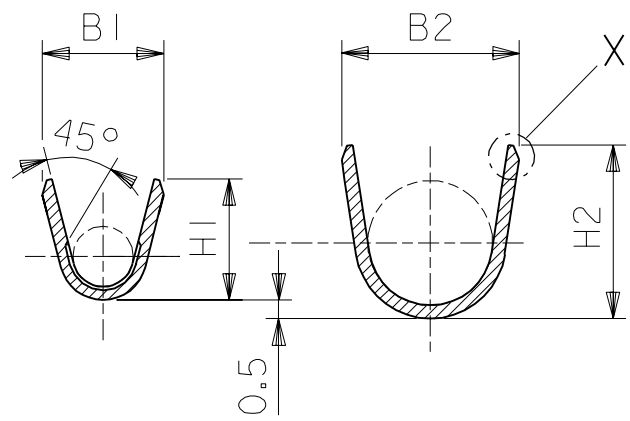


NORMAL FINISHED PARTS

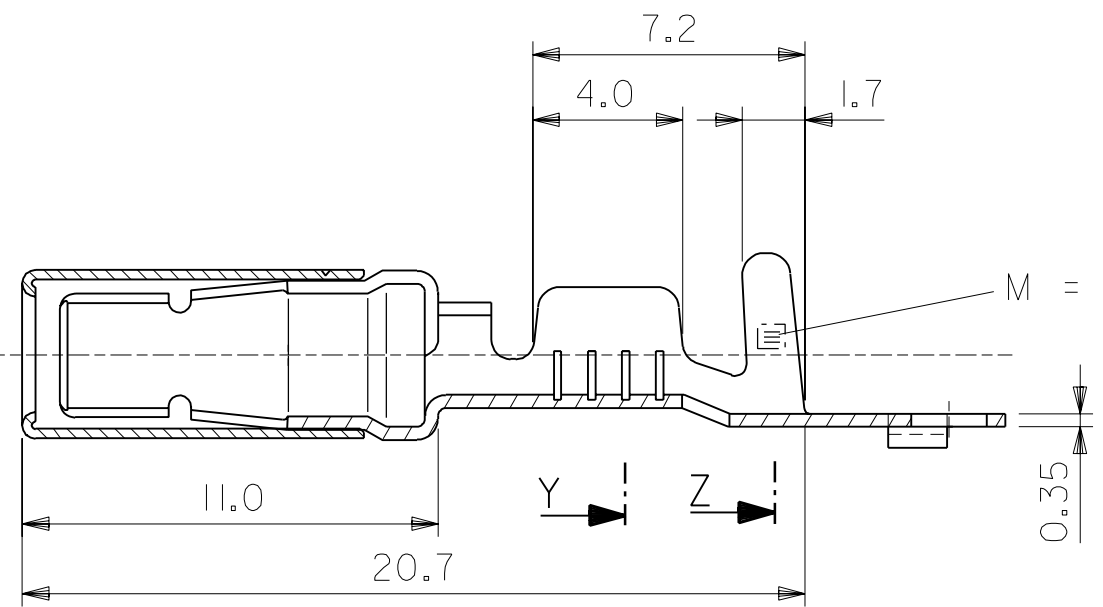
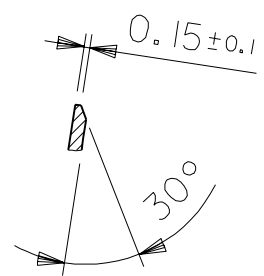


SECTION Y-Y
SCHNITT Y-Y

SECTION Z-Z
SCHNITT Z-Z



DETAIL X
EINZELHEIT X



M = MARKING OUTSIDE

MATERIAL

BODY: PHOSPHOR BRONZE
KOERPER: KUPFER-ZINN-LEGIERUNG

SLEEVE: BRASS
BUCHSE: MESSING

FOR PREVIOUS
DRAWING ISSUES
SEE "EDIS"

ECN MXG 1281	17.02.94	H. DIETZ	REVISIONS
E	LTR		

THIRD ANGLE PROJECTION		DRWG BY	HD
DIMENSIONS SHOWN (METRIC) INCH		CHK'D BY	SCH
UNLESS OTHERWISE SPECIFIED TOLERANCES: ANGULAR ±		APP'D BY	APO
3 PLACE	±	SCALE	5:1
2 PLACE	±		
1 PLACE	±		
DRAFT WHERE APPLICABLE MUST REMAIN WITHIN DIMENSIONS			
DESIGN DIMENSION (PRIMARY)	<input checked="" type="checkbox"/> (MM) <input type="checkbox"/> IN.		
EQUIVALENT DIMENSION (SECONDARY)	<input type="checkbox"/> (MM) <input type="checkbox"/> IN.		

REVISE ONLY ON CAD SYSTEM		SH.	REV.
CADCAM FILENAME	SD98012 DGN	THIS DRAWING CONTAINS INFORMATION THAT IS PROPRIETARY TO MOLEX INC. & SHOULD NOT BE USED WITHOUT WRITTEN PERMISSION	
TITLE			
FEMALE TERMINAL 2.8mm			
MOLEX MOLEX EUROPE		SHEET NO.	DATE
SEE TABLE		1 / 1	21 / 10 / 91
PART NO.	DWG NO.	SIZE	
SEE TABLE	SD-98012	B	