

Storm Interface

GS160203

Tau Wae:

GS160203

Kaihanga / Waitohu:

Storm Interface

Whakaahuatanga hua

SWITCH KEYPAD 16 KEY 0.05A 24V

Ngā Rauemi:

GS160203.pdf

RoHS Tūnga

Whakahaerehia te kore utu / RoHS

Waehere Stock

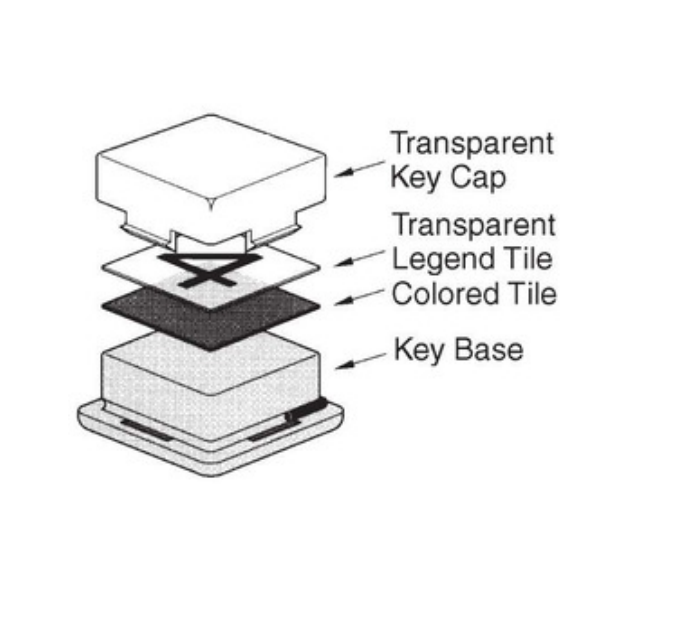
2087 pcs stock

Tuhinga mai i

Hong Kong

Te Ara Tuhi

DHL/Fedex/TNT/UPS/EMS



TONO MO TE WHAKAHUA

Ko te whakaahua he tohu. Tirohia nga korero mo nga taipitopito hua.

Ngā whakaaturanga o GS160203

TAU WAE	GS160203
KAIHANGA	Storm Interface
WHAKAAHUATANGA	SWITCH KEYPAD 16 KEY 0.05A 24V
WHAKAHAERE TOKO WHAKAHAERE / ROHS TŪNGA	Whakahaerehia te kore utu / RoHS
HE RAHINGA KEI TE WĀTEA	2087 pcs
PEPA RARAUNGA	GS160203.pdf
KĀHUA WHAKAMUTUNGA	Pin Header
MOMO WHAKAWHITI	Conductive Rubber
RAUPAPA	GFX
PIHANGA WHAKAPAE PAEPAE	Square - 83.00mm ²
MOMO PUTANGA	Matrix
ĒTAHI INGOA	GS160201 GS160202 MGR1549
TE MAHI MAHI	2,000,000 Cycles
TAE MAHI	-20°C ~ 60°C
TAU O NGA KEIKI	16
MOMO TAE	Panel Mount, Front or Rear
MATRIX (POUTAMA X ROWS)	4 x 4
MOMO POUTOHU	Interchangeable
TAE POUTOHU	-
POUTOHU	Customizable (Sold Separate)
WHAKAHAERE TOKO WHAKAHAERE / ROHS TŪNGA	Lead free / RoHS Compliant
MOMO MOMO	Transparent Key Cap
TAE MATUA	Transparent
TIAKI INGOA	IP54 - Dust Protected, Water Resistant
WHAKAKAMAHI WHAKAKUKU (NOMINAL)	-
WHAKAAHUATANGA	Non-Illuminated
NGĀ ĀHUATANGA	-
WHAKAAHUATANGA TAIPITOPITO	Keypad Switch 16 Transparent Key Cap Keys Conductive Rubber Contacts Matrix Output Non-Illuminated 0.05A @ 24VDC
WHAKAPĀ ATU @ WHAKAOHO	0.05A @ 24VDC
WHAKAAETANGA	CE

Ngā tūtohu e hāngai ana

Storm Interface GS160203	GS160203 Kaiwhiwhi	GS160203 Kaiwhakarato
GS160203 Utu	GS160203 Pikitia	GS160203 Whakaahua
GS160203 PDF Datasheet	GS160203 Download Datasheet	Tuhinga GS160203
GS160203 Stock	Hokona GS160203	Hokona Storm Interface GS160203
Storm Interface GS160203	Storm Interface Kaiwhakarato	Storm Interface Kaiwhiwhi
Storm Interface GS160203		

Ngā Hua e hāngai ana

<p>GS1662-IBE3 Kaihanga: Semtech Whakaahuatanga: IC SERIALIZER SMPTE 100BGA I roto i te taonga: 2383 pcs</p> <p>RFQ</p>	<p>GS1660-IBE3 Kaihanga: Semtech Whakaahuatanga: IC SDI RECEIVER SMPTE 100BGA I roto i te taonga: 3296 pcs</p> <p>RFQ</p>
<p>GS15U-2P1J Kaihanga: MEAN WELL Whakaahuatanga: AC/DC WALL MOUNT ADAPTER 9V 15W I roto i te taonga: 4579 pcs</p> <p>RFQ</p>	<p>GS1660AIBE3 Kaihanga: Semtech Whakaahuatanga: IC RECEIVER SMPTE 100BGA I roto i te taonga: 3257 pcs</p> <p>RFQ</p>
<p>GS1670-IBE3 Kaihanga: Semtech Whakaahuatanga: IC SDI RECEIVER SMPTE 100BGA I roto i te taonga: 3140 pcs</p> <p>RFQ</p>	<p>GS15U-3P1J Kaihanga: MEAN WELL Whakaahuatanga: AC/DC WALL MOUNT ADAPTER 12V 15W I roto i te taonga: 4735 pcs</p> <p>RFQ</p>
<p>GS15U-6P1J Kaihanga: MEAN WELL Whakaahuatanga: AC/DC WALL MOUNT ADAPTER 24V 15W I roto i te taonga: 4609 pcs</p> <p>RFQ</p>	<p>GS1661-IBE3 Kaihanga: Semtech Whakaahuatanga: IC RECEIVER CBL EQUALIZER 100BGA I roto i te taonga: 1920 pcs</p> <p>RFQ</p>
<p>GS15U-5P1J Kaihanga: MEAN WELL Whakaahuatanga: AC/DC WALL MOUNT ADAPTER 18V 15W I roto i te taonga: 4926 pcs</p> <p>RFQ</p>	<p>GS15U-4P1J Kaihanga: MEAN WELL Whakaahuatanga: AC/DC WALL MOUNT ADAPTER 15V 15W I roto i te taonga: 5243 pcs</p> <p>RFQ</p>
<p>GS15U-8P1J Kaihanga: MEAN WELL Whakaahuatanga: AC/DC WALL MOUNT ADAPTER 48V 15W I roto i te taonga: 4954 pcs</p> <p>RFQ</p>	<p>GS1661AIBE3 Kaihanga: Semtech Whakaahuatanga: IC RECEIVER CBL EQUALIZER 100BGA I roto i te taonga: 1681 pcs</p> <p>RFQ</p>