

Panasonic

Panasonic

JS1A-F-9V-F

Tau Wae:

JS1A-F-9V-F

Kaihanga / Waitohu:

Panasonic

Whakaahuatanga hua

RELAY GEN PURPOSE SPST 10A 9V

Ngā Rauemi:

JS1A-F-9V-F.pdf

RoHS Tūnga

Whakahaerehia te kore utu / RoHS

Waehe Stock

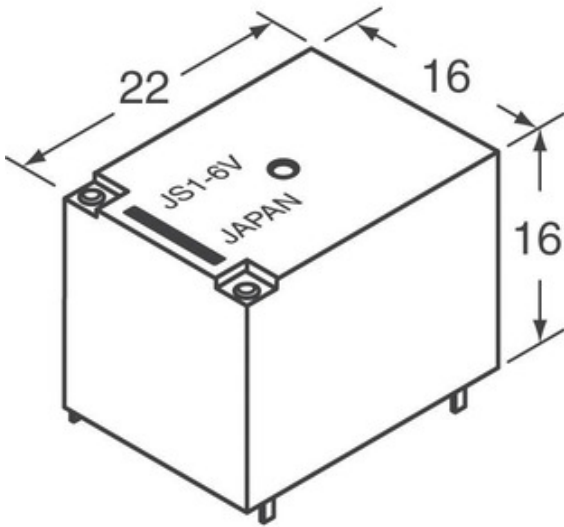
84263 pcs stock

Tuhinga mai i

Hong Kong

Te Ara Tuhi

DHL/Fedex/TNT/UPS/EMS



TONO MO TE WHAKAHUA

Ko te whakaahua he tohu. Tirohia nga korero mo nga taipitopito hua.

Ngā whakaaturanga o JS1A-F-9V-F

TAU WAE	JS1A-F-9V-F
KAIHANGA	Panasonic
WHAKAAHUATANGA	RELAY GEN PURPOSE SPST 10A 9V
WHAKAHAERE TOKO WHAKAHAERE / ROHS TŪNGA	Whakahaerehia te kore utu / RoHS
HE RAHINGA KEI TE WĀTEA	84263 pcs
PEPA RARAUNGA	JS1A-F-9V-F.pdf
TAHURI I TE NGAOHIHI (MAX)	6.3 VDC
WHAKAKOREHIA TE NGAOHIHI (MIN)	0.9 VDC
KĀHUA WHAKAMUTUNGA	PC Pin
WHAKAOHO WHAKAWHITI	250VAC, 100VDC - Max
RAUPAPA	JS
WĀ WHAKAORA	10ms
MOMO TAE	General Purpose
PACKAGING	Bulk
TAE MAHI	-40°C ~ 105°C
WHAKAMAHIA TE WA	10ms
MOMO TAE	Through Hole
TAUMATA WHAKAARO MOE (MSL)	1 (Unlimited)
WHAKAHAERE TOKO WHAKAHAERE / ROHS TŪNGA	Lead free / RoHS Compliant
NGĀ ĀHUATANGA	Insulation - Class F, Sealed - Fully
WHAKAAHUATANGA TAIPITOPITO	General Purpose Relay SPST-NO (1 Form A) 9VDC Coil Through Hole
WHAKAAETANGA WHAKATAURANGA (ANEI)	10A
WHAKAAETANGA MEA	Silver Tin Oxide (AgSnO)
PUKA PUKA WHAKAPĀ	SPST-NO (1 Form A)
KOHIKOHI NGAOHIKO	9VDC
MOMO MOMO	Non Latching
KO TE WHAKAAETANGA MIIHINI	225 Ohms
KOHIKOHI MIIHINI	360 mW
KOHIKOHI KEI TE AUKATI	40.0mA

Ngā tūtohu e hāngai ana

Panasonic JS1A-F-9V-F	JS1A-F-9V-F Kaiwhiwhi	JS1A-F-9V-F Kaiwhakarato
JS1A-F-9V-F Utu	JS1A-F-9V-F Pikitia	JS1A-F-9V-F Whakaahua
JS1A-F-9V-F PDF Datasheet	JS1A-F-9V-F Download Datasheet	Tuhinga JS1A-F-9V-F
JS1A-F-9V-F Stock	Hokona JS1A-F-9V-F	Hokona Panasonic JS1A-F-9V-F
Panasonic JS1A-F-9V-F	Panasonic Kaiwhakarato	Panasonic Kaiwhiwhi
Panasonic JS1A-F-9V-F	Panasonic - Consumer Division JS1A-F-9V-F	Panasonic - Consumer Electronics Corp. JS1A-F-9V-F
Panasonic Battery Group JS1A-F-9V-F	Panasonic Electric Works - ACSD JS1A-F-9V-F	Panasonic Electronic Components - Semiconductor Pr JS1A-F-9V-F
Panasonic - ATG JS1A-F-9V-F	Panasonic - BSG JS1A-F-9V-F	Panasonic - DTG JS1A-F-9V-F
Panasonic Electric Works JS1A-F-9V-F	Panasonic Electronic Components JS1A-F-9V-F	Panasonic Industrial Automation Sales JS1A-F-9V-F
Panasonic Semiconductor JS1A-F-9V-F		

Ngā Hua e hāngai ana

<p>JS1A-F-12V-F-6K Kaihanga: Panasonic Whakaahuatanga: RELAY GEN PURPOSE SPST 10A 12V I roto i te taonga: 46891 pcs</p> <p>RFQ</p>	<p>JS1AF-18V-F Kaihanga: Panasonic Whakaahuatanga: RELAY GEN PURPOSE SPST 10A 18V I roto i te taonga: 84954 pcs</p> <p>RFQ</p>
<p>JS1AF-12V-F Kaihanga: Panasonic Whakaahuatanga: RELAY GEN PURPOSE SPST 10A 12V I roto i te taonga: 82807 pcs</p> <p>RFQ</p>	<p>JS1A-F-6V-F Kaihanga: Panasonic Whakaahuatanga: RELAY GEN PURPOSE SPST 10A 6V I roto i te taonga: 60475 pcs</p> <p>RFQ</p>
<p>JS1A-F-48V-F Kaihanga: Panasonic Whakaahuatanga: RELAY GEN PURPOSE SPST 10A 48V I roto i te taonga: 42488 pcs</p> <p>RFQ</p>	<p>JS1A-F-24V-F Kaihanga: Panasonic Whakaahuatanga: RELAY GEN PURPOSE SPST 10A 24V I roto i te taonga: 83959 pcs</p> <p>RFQ</p>
<p>JS1A-F-18V-F Kaihanga: Panasonic Whakaahuatanga: RELAY GEN PURPOSE SPST 10A 18V I roto i te taonga: 63051 pcs</p> <p>RFQ</p>	<p>JS1AF-24V-F Kaihanga: Panasonic Whakaahuatanga: RELAY GEN PURPOSE SPST 10A 24V I roto i te taonga: 84085 pcs</p> <p>RFQ</p>
<p>JS1A-F-5V-F Kaihanga: Panasonic Whakaahuatanga: RELAY GEN PURPOSE SPST 10A 5V I roto i te taonga: 51579 pcs</p> <p>RFQ</p>	<p>JS1AF-18V Kaihanga: Panasonic Whakaahuatanga: RELAY GEN PURPOSE SPST 10A 18V I roto i te taonga: 3483 pcs</p> <p>RFQ</p>
<p>JS1AF-12V Kaihanga: Panasonic Whakaahuatanga: RELAY GEN PURPOSE SPST 10A 12V I roto i te taonga: 6420 pcs</p> <p>RFQ</p>	<p>JS1AF-24V Kaihanga: Panasonic Whakaahuatanga: RELAY GEN PURPOSE SPST 10A 24V I roto i te taonga: 3452 pcs</p> <p>RFQ</p>

