

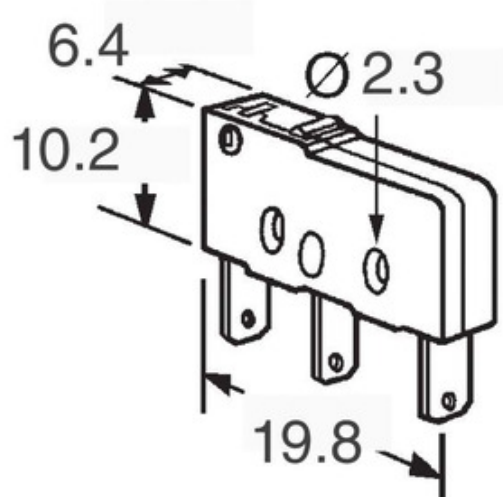


Omron

### SS-5FD1

Tau Wae:  
 Kaihanga / Waitohu:  
 Whakaahuatanga hua  
 Ngā Rauemi:  
 RoHS Tūnga  
 Waehere Stock  
 Tuhinga mai i  
 Te Ara Tuhi

SS-5FD1  
 Omron  
 SWITCH SNAP ACTION SPDT 5A 125V  
 SS-5FD1.pdf  
 Whakahaerehia te kore utu / RoHS  
 39237 pcs stock  
 Hong Kong  
 DHL/Fedex/TNT/UPS/EMS



**TONO MO TE WHAKAHUA**

Ko te whakaahua he tohu. Tirohia nga korero mo nga taipitopito hua.

#### Ngā whakaaturanga o SS-5FD1

TAU WAE	SS-5FD1
KAIHANGA	Omron
WHAKAAHUATANGA	SWITCH SNAP ACTION SPDT 5A 125V
WHAKAHAERE TOKO WHAKAHAERE / ROHS TŪNGA	Whakahaerehia te kore utu / RoHS
HE RAHINGA KEI TE WĀTEA	39237 pcs
PEPA RARAUNGA	SS-5FD1.pdf
WHAKAAETANGA NGAOHIKO - AC	125V
KĀHUA WHAKAMUTUNGA	PC Pin
WHAKAWHITI MAHINGA	On-Mom
RAUPAPA	SS
WHAKAPUTA MANA	4.079gf
PRETRAVEL	0.020" (0.5mm)
PACKAGING	Bulk
OVERTRAVEL	0.020" (0.5mm)
ĒTAHI INGOA	SS5FD1
TAE MAHI	-25°C ~ 85°C
TŪNGA MAHI	0.330" (8.4mm)
TE KAHA MAHI	50gf
MOMO TAE	Through Hole, Right Angle
TE MAHI MOMO	30,000,000 Cycles
WHAKAHAERE TOKO WHAKAHAERE / ROHS TŪNGA	Lead free / RoHS Compliant
TIAKI INGOA	IP40
NGĀ ĀHUATANGA	-
TE ORANGA RAWA	200,000 Cycles
MAHINGA REREKE	0.004" (0.1mm)
WHAKATAURANGA ONAMATA	5A (AC)
TAKAHANGA	SPDT
MOMO KAIHOKO	Round (Pin Plunger)

#### Ngā tūtohu e hāngai ana

Omron SS-5FD1	SS-5FD1 Kaihiwhi	SS-5FD1 Kaiwhakarato
SS-5FD1 Utu	SS-5FD1 Pikitia	SS-5FD1 Whakaahua
SS-5FD1 PDF Datasheet	SS-5FD1 Download Datasheet	Tuhinga SS-5FD1
SS-5FD1 Stock	Hokona SS-5FD1	Hokona Omron SS-5FD1
Omron SS-5FD1	Omron Kaiwhakarato	Omron Kaihiwhi
Omron SS-5FD1	Omron Electronics Inc-IA Div SS-5FD1	Omron Electronics Inc-EMC Div SS-5FD1
Omron Electronics LLC SS-5FD1		

#### Ngā Hua e hāngai ana

<p><b>SS-5F-8A-AP</b>                  Kaihanga: Bussmann (Eaton)                  Whakaahuatanga: FUSE BOARD MOUNT 8A 125VAC RAD                  I roto i te taonga: 128657 pcs</p> <p><b>RFQ</b></p>	<p><b>SS-5GL</b>                  Kaihanga: Omron                  Whakaahuatanga: SWITCH SNAP ACTION SPDT 5A 125V                  I roto i te taonga: 46478 pcs</p> <p><b>RFQ</b></p>
<p><b>SS-5FL111-3</b>                  Kaihanga: Omron                  Whakaahuatanga: SWITCH SNAP ACT SPST-NO 3A 250V                  I roto i te taonga: 47165 pcs</p> <p><b>RFQ</b></p>	<p><b>SS-5FD2</b>                  Kaihanga: Omron                  Whakaahuatanga: SWITCH SNAP ACTION SPDT 5A 125V                  I roto i te taonga: 34422 pcs</p> <p><b>RFQ</b></p>
<p><b>SS-5FH-3.15A-BK</b>                  Kaihanga: Bussmann (Eaton)                  Whakaahuatanga: FUSE BRD MNT 3.15A 350VAC/150VDC                  I roto i te taonga: 132819 pcs</p> <p><b>RFQ</b></p>	<p><b>SS-5F-800MA-AP</b>                  Kaihanga: Bussmann (Eaton)                  Whakaahuatanga: FUSE BOARD MNT 800MA 250VAC RAD                  I roto i te taonga: 128204 pcs</p> <p><b>RFQ</b></p>
<p><b>SS-5F-7A-AP</b>                  Kaihanga: Bussmann (Eaton)                  Whakaahuatanga: FUSE BOARD MOUNT 7A 125VAC RAD                  I roto i te taonga: 120124 pcs</p> <p><b>RFQ</b></p>	<p><b>SS-5FH-3.15A-AP</b>                  Kaihanga: Bussmann (Eaton)                  Whakaahuatanga: FUSE BRD MNT 3.15A 350VAC/150VDC                  I roto i te taonga: 143202 pcs</p> <p><b>RFQ</b></p>
<p><b>SS-5F-8A-BK</b>                  Kaihanga: Bussmann (Eaton)                  Whakaahuatanga: FUSE BOARD MOUNT 8A 125VAC RAD                  I roto i te taonga: 64441 pcs</p> <p><b>RFQ</b></p>	<p><b>SS-5F-800MA-BK</b>                  Kaihanga: Bussmann (Eaton)                  Whakaahuatanga: FUSE BOARD MNT 800MA 250VAC RAD                  I roto i te taonga: 76904 pcs</p> <p><b>RFQ</b></p>
<p><b>SS-5F-7A-BK</b>                  Kaihanga: Bussmann (Eaton)                  Whakaahuatanga: FUSE BOARD MOUNT 7A 125VAC RAD                  I roto i te taonga: 72487 pcs</p> <p><b>RFQ</b></p>	<p><b>SS-5FL111-3T</b>                  Kaihanga: Omron                  Whakaahuatanga: SWITCH SNAP ACT SPST-NO 3A 250V                  I roto i te taonga: 57953 pcs</p> <p><b>RFQ</b></p>